

MODEL 3000
RIGID FRAME PLANTER
(Mechanical Seed Metering)

PARTS MANUAL

M0188-02

Rev. 4/16

This manual applies to: Model: 3000 Pull Type Planters
 Serial Number: 643579 and later

Record serial number of your planter and date purchased:

Serial Number _____

Date Purchased _____

Information in this manual was current at time of printing. However, due to Kinze's ongoing product improvement, production changes may cause your machine to appear slightly different in detail. Kinze Manufacturing, Inc. reserves the right to change specifications or design without notice and without incurring obligation to install the same on machines previously manufactured.

Right hand (R.H.) and left hand (L.H.), as used throughout this manual, are determined by facing in the direction the machine will travel when in use, unless otherwise stated.

Hardware Size / Tool Required			
$1/4" = 7/16"$	$7/16" = 5/8"$ (nut for $7/16"$ hardware uses $1/16"$ tool)	$3/4" = 1 1/8"$	$1 1/4" = 1 7/8"$
$5/16" = 1/2"$	$1/2" = 3/4"$	$7/8" = 1 5/16"$	$1 1/2" = 2 1/4"$
$3/8" = 9/16"$	$5/8" = 15/16"$	$1" = 1 1/2"$	

ROW UNIT

Shank Assembly, Seed Tube, and Depth Adjustment	P1
Parallel Arms, Mounting Support Plate, and Quick Adjustable Down Force Springs	P3
15" Seed Opener Disc Blade/Bearing Assembly and Scrapers	P4
Gauge Wheels	P5
Covering Discs/Single Press Wheel	P7
"V" Closing Wheels	P9
Drag Closing Attachment	P11
Hopper Support and Meter Drive	P13
Seed Hopper and Lid	P15
Finger Pickup Seed Meter	P17
Brush-Type Seed Meter	P19
Granular Chemical Hopper and Hopper Panel Extension	P21
Granular Chemical Meter and Meter Drive	P23
Granular Chemical Banding Options	P25
Spring Tooth Incorporator	P27
Row Unit Mounted No Till Coulter	P28
Row Unit Mounted Bed Leveler	P29
Row Unit Mounted Disc Furrower	P31
Row Unit Mounted Residue Wheel	P33
Coulter Mounted Residue Wheels - Style A	P36
Coulter Mounted Residue Wheels - Style B and C	P37
Frame Mounted Coulter W/Residue Wheels	P39

INTERPLANT SYSTEM

Interplant Push Row Unit	P41
Interplant Push Row Unit Drive	P43
Interplant Self-Leveling Hitch Extension	P45

BASE MACHINE

Hitch and Frame Assembly/Safety Chain	P47
Transport and Ground Drive Wheel Assembly (Prior to 2011 Production)	P49
Transport and Ground Drive Wheel Assembly (2012 Production and on)	P51
Contact Wheel and Arm Assembly	P53
Driveline, 4 Row 30"/36"/38"	P55
Driveline, 6 Row 30"/36"/38" and 8 Row 30"	P56
Seed Rate Transmission Assembly	P57
Row Marker Assembly, Conventional 4 Row 30"/36"/ 38" and 6 Row 30"	P61
Row Marker Assembly, Two-Fold Low Profile 6 Row 36"/38" and 8 Row 30"	P63
Row Marker Spindle/Hub/Blade	P65
Water Tank Assembly	P67

HYDRAULICS

Master Lift Cylinder	P68
Slave Lift Cylinder	P69
Lift Assist Cylinder, 6 Row 30"/36"/38" and 8 Row 30"	P70
Row Marker Cylinder, 4 Row 30"/36"/38" and 6 Row 30"	P71
Row Marker Cylinder, 6 Row 36"/38" and 8 Row 30"	P72
Interplant Lift Cylinder	P73
Row Marker Sequencing/Flow Control Valve	P75
Hydraulic System, 4 Row 30"/36"/38" Conventional Row Marker	P77
Hydraulic System, 6 Row 30" Conventional Row Marker	P79
Hydraulic System, 6 Row 36"/38" and 8 Row 30" Two-Fold Low Profile Row Marker	P81

ELECTRONICS

Electrical Components and SMV Sign	P83
KPM I Electronic Seed Monitor	P85
KPM II Stack-Mode Electronic Seed Monitor	P87
KPM III Electronic Seed Monitor	P89

FERTILIZER

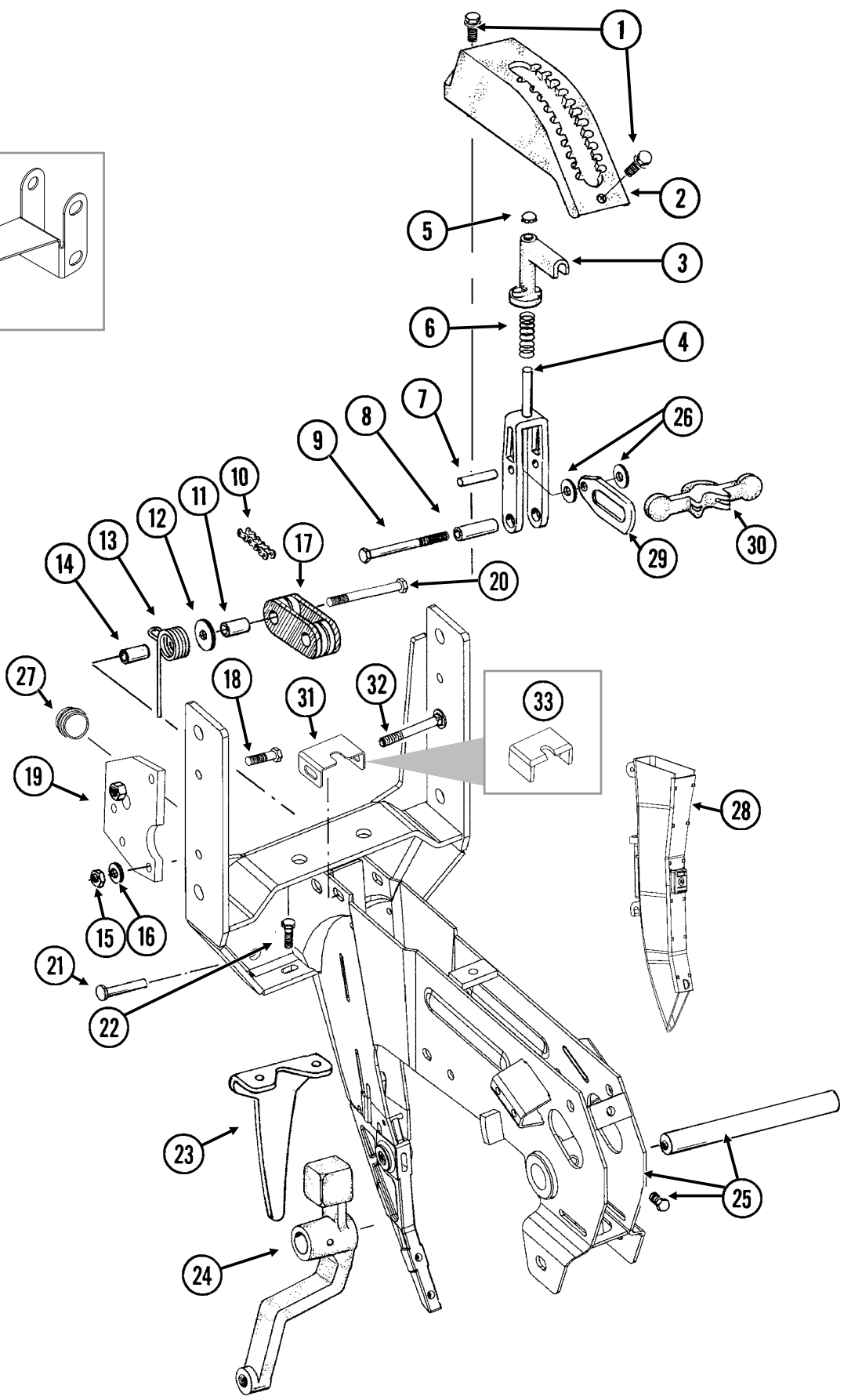
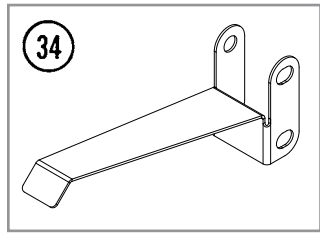
Double Disc Fertilizer Opener	P93
HD Single Disc Fertilizer Opener (Soil Press Wheel)	P95
HD Single Disc Fertilizer Opener (Blade and Drop Tube)	P97
Notched Single Disc Fertilizer Opener	P99
Residue Wheel Attachment for Notched Single Disc Fertilizer Opener	P103
Depth/Gauge Wheel Attachment for Notched Single Disc Fertilizer Opener	P105
Fertilizer Opener Mounting Bar (Double Disc and Notched Single Disc Fertilizer Openers)	P106
Dry Fertilizer Transmission Assembly	P107
Dry Fertilizer Hopper and Mounts	P109
Dry Fertilizer Couplers/Shafts	P111
Dry Fertilizer Couplers/Shafts	P112
Liquid Fertilizer Tanks, Saddle, Mounts, Hoses, and Fittings, 4 Row	P113
Liquid Fertilizer Tanks, Saddles, Mounts, Hoses, and Fittings, 6 and 8 Row	P115
Liquid Fertilizer Piston Pump Drive	P117
Liquid Fertilizer Piston Pump (Crankcase Assembly) Uses 18 Tooth Sprocket	P121
Liquid Fertilizer Piston Pump (Cylinder Assembly) Uses 18 Tooth Sprocket	P123
Liquid Fertilizer Piston Pump Uses 18 Tooth Sprocket	P125
Liquid Fertilizer Piston Pump Flow Divider	P127
Liquid Fertilizer Squeeze Pump Mounting Bracket and Drive	P129

Liquid Fertilizer Squeeze Pump, 4 Row P131
Liquid Fertilizer Squeeze Pump, 6 Row P132
Liquid Fertilizer Squeeze Pump, 8 Row P133
Liquid Fertilizer Tube In Furrow P134

MISCELLANEOUS

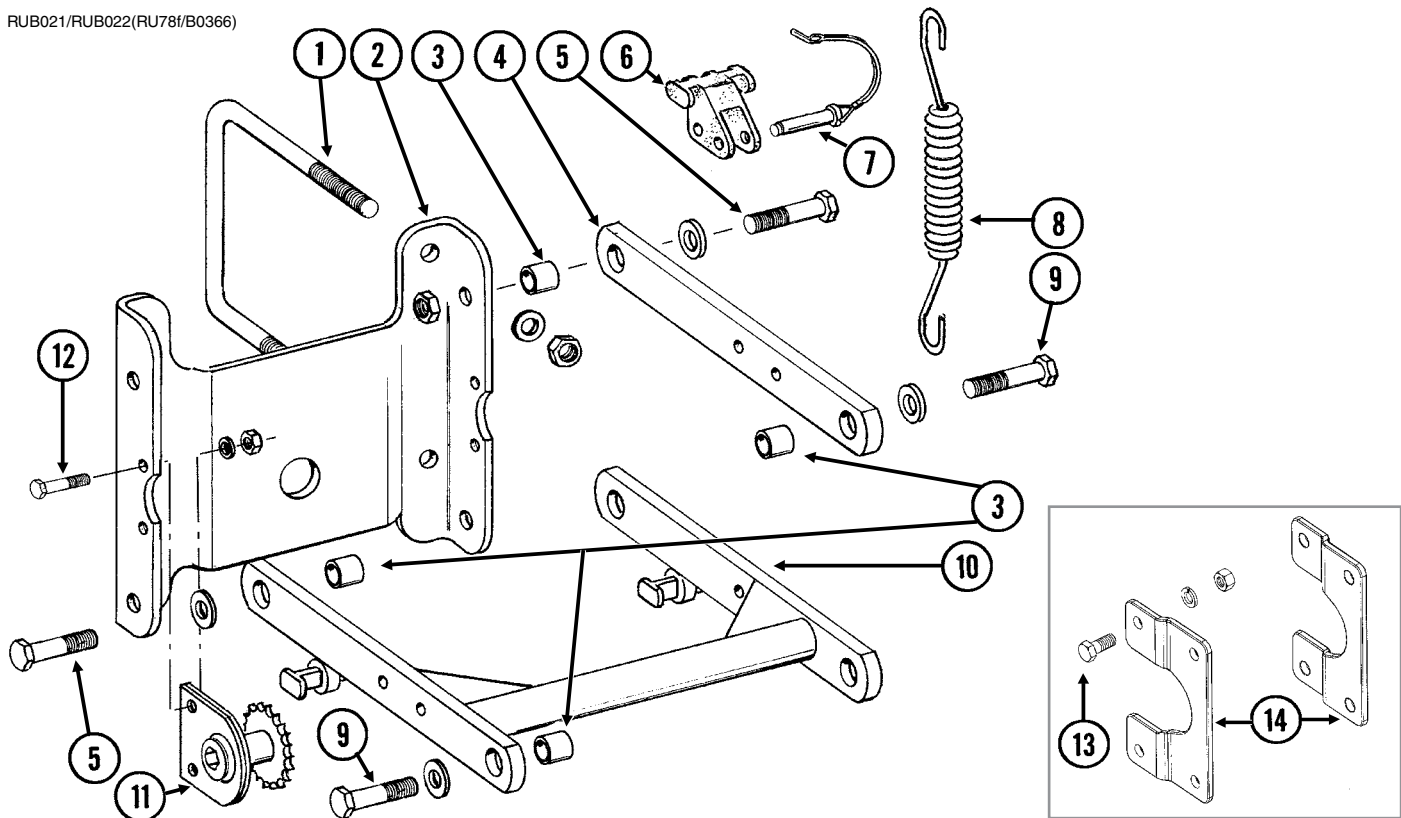
Decals, Paint, and Miscellaneous P135
Numerical Index P144

(METR29cc)



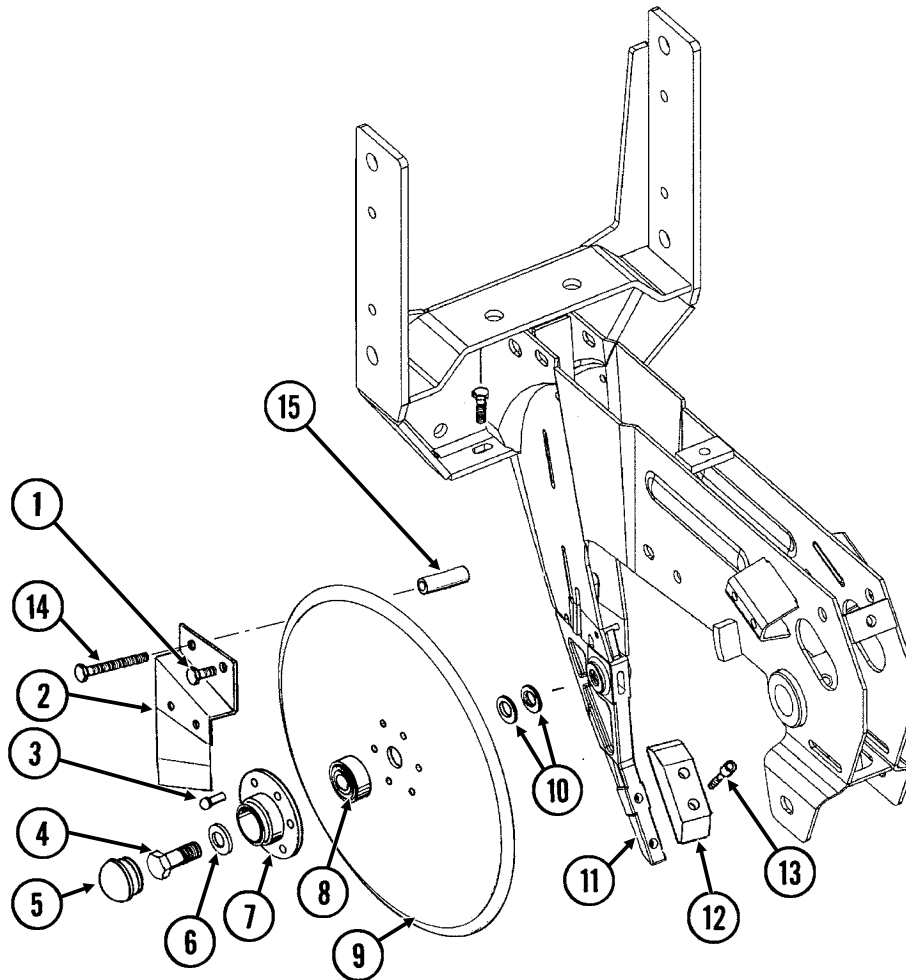
ITEM	PART NO.	QTY. (Per Row)	DESCRIPTION
1	G11015	2	Hex Washer Head Cap Screw, 3/8"-16 x 1 1/4"
2	GB0274	1	Cover, Depth Adjustment
3	GB0266	1	Handle, Depth Adjustment
4	GB0267	1	Lever, Depth Adjustment
5	GD3612	1	Cap Plug
6	GD10993	1	Spring
7	GD13361	1	Pin, 3/8" x 1 2/3"
8	GD11259	1	Sleeve, 3/8" I.D. x 5/8" O.D. x 1 25/32" Long
9	G11592	1	Hex Head Cap Screw, 3/8"-24 x 2 3/4", Grade 8
	G11591	1	Nylon Lock Nut, 3/8"-24, Grade C
10	G3303-98	1	Chain, No. 41, 98 Pitch Including Connector Link
	G3303-16	1	Chain, No. 41, 16 Pitch Including Connector Link (Used W/Row Unit Extension Brackets)
	GR0196	1	Connector Link, No. 41
11	GD1026	1	Sleeve, 1 3/16" Long
12	G10201	1	Special Washer, 3/8" x 1 1/2" O.D.
13	GD1065	1	Idler Spring
14	GD7318	1	Sleeve, 1" Long
15	G10108	1	Lock Nut, 3/8"-16
16	G11387	1	Flat Washer, 3/8" SAE
17	GD11962	1	Idler
18	G10003	3	Hex Head Cap Screw, 3/8"-16 x 1 1/2"
	G10108	3	Lock Nut, 3/8"-16
19	GD24545	2	Row Unit Stop
20	G10326	1	Hex Head Cap Screw, 3/8"-16 x 3 3/4"
21	G10551	1	Clevis Pin, 1/4" x 2 1/2"
	G10669	1	Hair Pin Clip, No. 22
22	G10312	2	Carriage Bolt, 5/16"-18 x 3/4"
	G10620	2	Serrated Flange Nut, 5/16"-18
23	GD28390	1	Shield
24	---	-	See "Gauge Wheels" on page P5
25	GA10157	1	Shank W/Gauge Wheel Pivot Spindle and Set Screw
	GD11001	-	Spindle
	G10438	-	Hex Head Cap Screw, 1/2"-13 x 3/4"
26	G10207	2	Washer, 7/8" O.D. x 1 3/32" I.D. x .134" (If Applicable)
27	GD11845	1	Dust Cap
28	---	-	See "KPM I Electronic Seed Monitor" on page P85
	---	-	See "KPM II Stack-Mode Electronic Seed Monitor" on page P87
	---	-	See "KPM III Electronic Seed Monitor" on page P89
29	GB0285	1	Collar, Depth Adjustment
30	GB0265	1	Pivot Link, Depth Adjustment
31	GD15970	1	Sun Shade
32	G10304	1	Carriage Bolt, 3/8"-16 x 3"
	G10108	1	Lock Nut, 3/8"-16
33	GD16245	-	Sun Shade (Rubber)
34	GD29806	-	Seed Tube Bracket

RUB021/RUB022(RU78f/B0366)



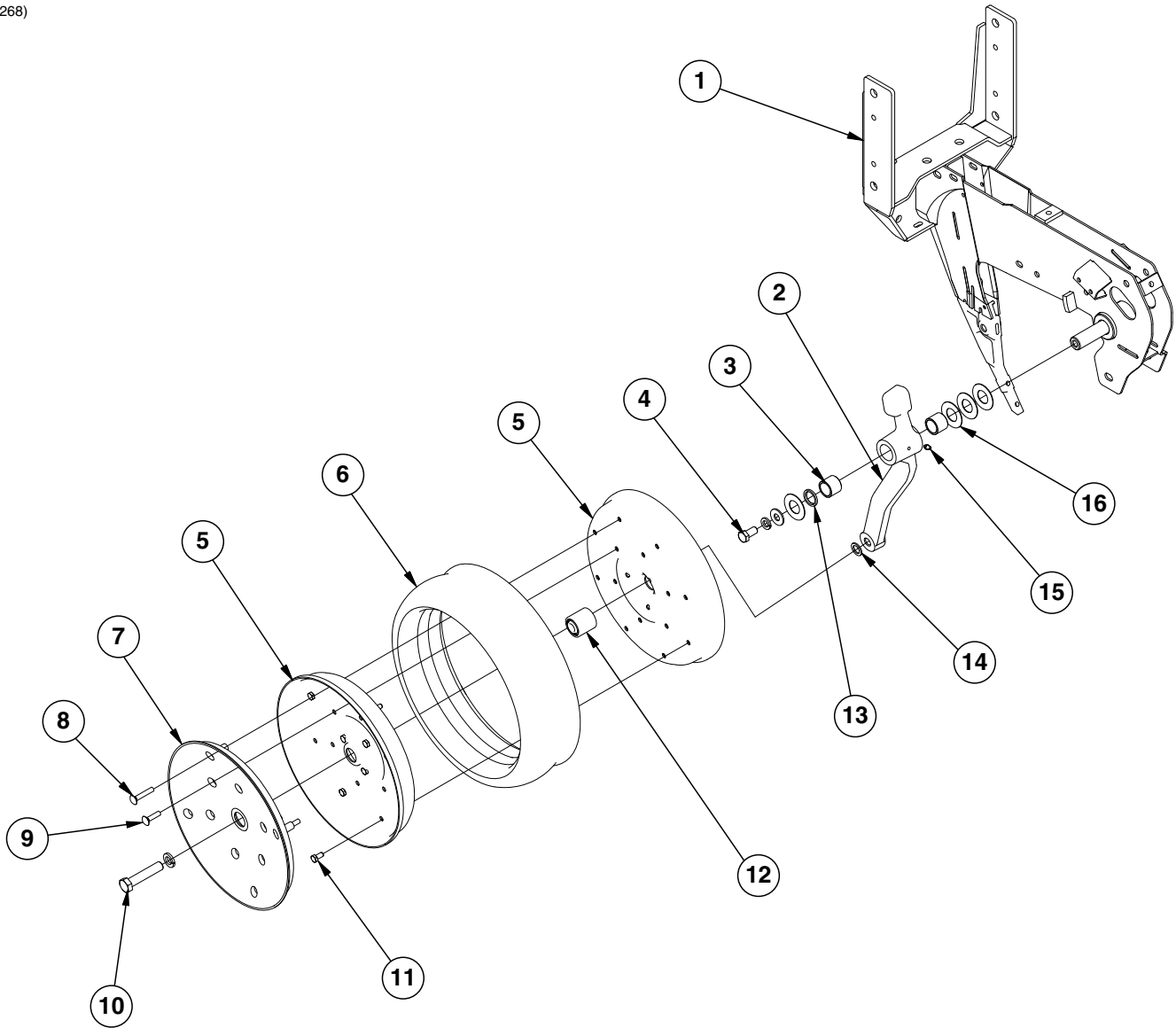
ITEM	PART NO.	QTY. (Per Row)	DESCRIPTION
1	GD1114	2	U-Bolt, 7" x 7" x 5/8"-11
	G10230	4	Lock Washer, 5/8"
	G10104	4	Hex Nut, 5/8"-11
2	GD10036	1	Mounting Support Plate
3	GB0218	4	Bushing, 2 1/32" I.D. x 7/8" O.D. x 1 9/32" Long
4	GD11422	2	Upper Parallel Arm
5	G10732	4	Hex Head Cap Screw, 5/8"-18 x 2"
	G11391	4	Flat Washer, 5/8" SAE
	G11514	4	Lock Nut, 5/8"-18
6	GB0186	2	Spring Anchor
7	GD14217	2	Tab Lock Pin, 7/16" x 1 1/2"
8	GD8249	2-4	Spring
9	---	-	See "Hopper Support and Meter Drive" on page P13
10	GA5651	1	Lower Parallel Arm
11	GA1720	1	Bearing/Sprocket, 7/8" Hex Bore
12	G10001	2	Hex Head Cap Screw, 3/8"-16 x 1"
	G10229	2	Lock Washer, 3/8"
	G10101	2	Hex Nut, 3/8"-16
13	G10007	4	Hex Head Cap Screw, 5/8"-11 x 1 1/2"
	G10230	4	Lock Washer, 5/8"
	G10104	4	Hex Nut, 5/8"-11
14	GB0366	2	Extension Bracket
A	G6326X	-	U-Bolt Package For 7" x 7" Toolbar, Includes: (2) GD1114, (4) G10230, (4) G10104

(RU139)



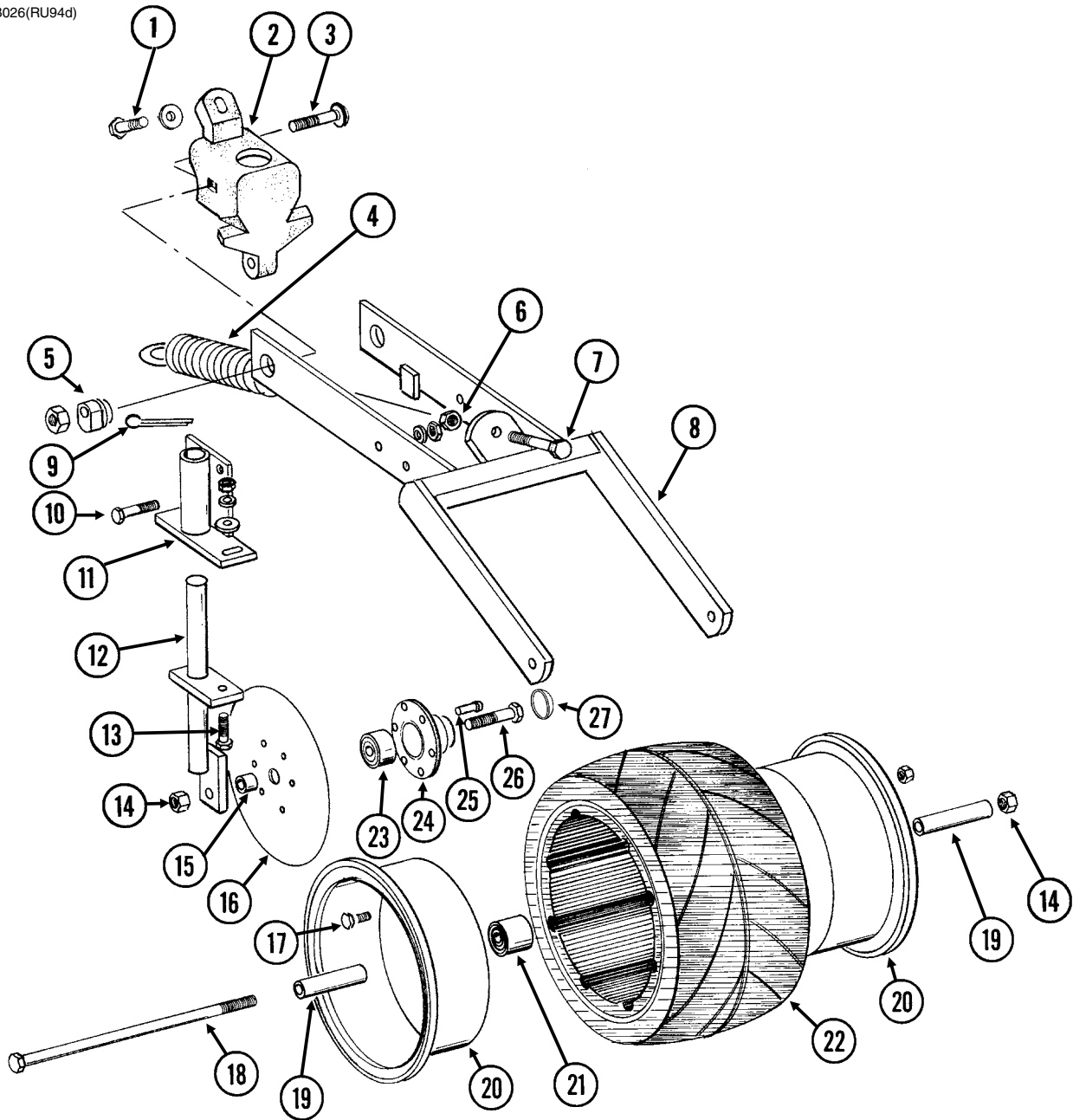
ITEM	PART NO.	QTY. (Per Row)	DESCRIPTION
1	G10328 G10622	2 2	Hex Head Cap Screw, 3/8"-16 x 5/8" Serrated Flange Nut, 3/8"-16
2	GA2012R GA2012L	1 -	Disc Scraper, R.H. Disc Scraper, L.H. (Shown)
3	G10427	12	Rivet, 1/4" x 1/2"
4	GD11017 G10007	1 1	Special Hex Head Cap Screw, 5/8"-11 x 1 1/2", L.H. Threads Hex Head Cap Screw, 5/8"-11 x 1 1/2"
5	GD11845	2	Dust Cap
6	G10204	2	Special Machine Bushing, 5/8" x 1" O.D.
7	GD10473	2	Bearing Housing
8	GA2014	2	Bearing
9	GD11306	2	Disc Blade, 3.5 mm x 15"
10	GD30725	-	Machine Bushing, 5/8" (.030" Thick) (As Required)
11	---	-	See "Shank Assembly, Seed Tube, and Depth Adjustment" on page P1
12	GB0301	1	Seed Tube Guard/Inner Scraper
13	G10912	2	Hex Socket Head Cap Screw, 5/16"-18 x 1", Grade 8
14	G10325 G10622	1 1	Hex Head Cap Screw, 3/8"-16 x 2 3/4" Serrated Flange Nut, 3/8"-16
15	GD2971-26	1	Sleeve, 3/8" I.D x 5/8" O.D. x 1.63" Long
A	GA8324	-	Disc Blade/Bearing Assembly, Less Dust Cap (Items 3 and 7-9)

(IP1268)



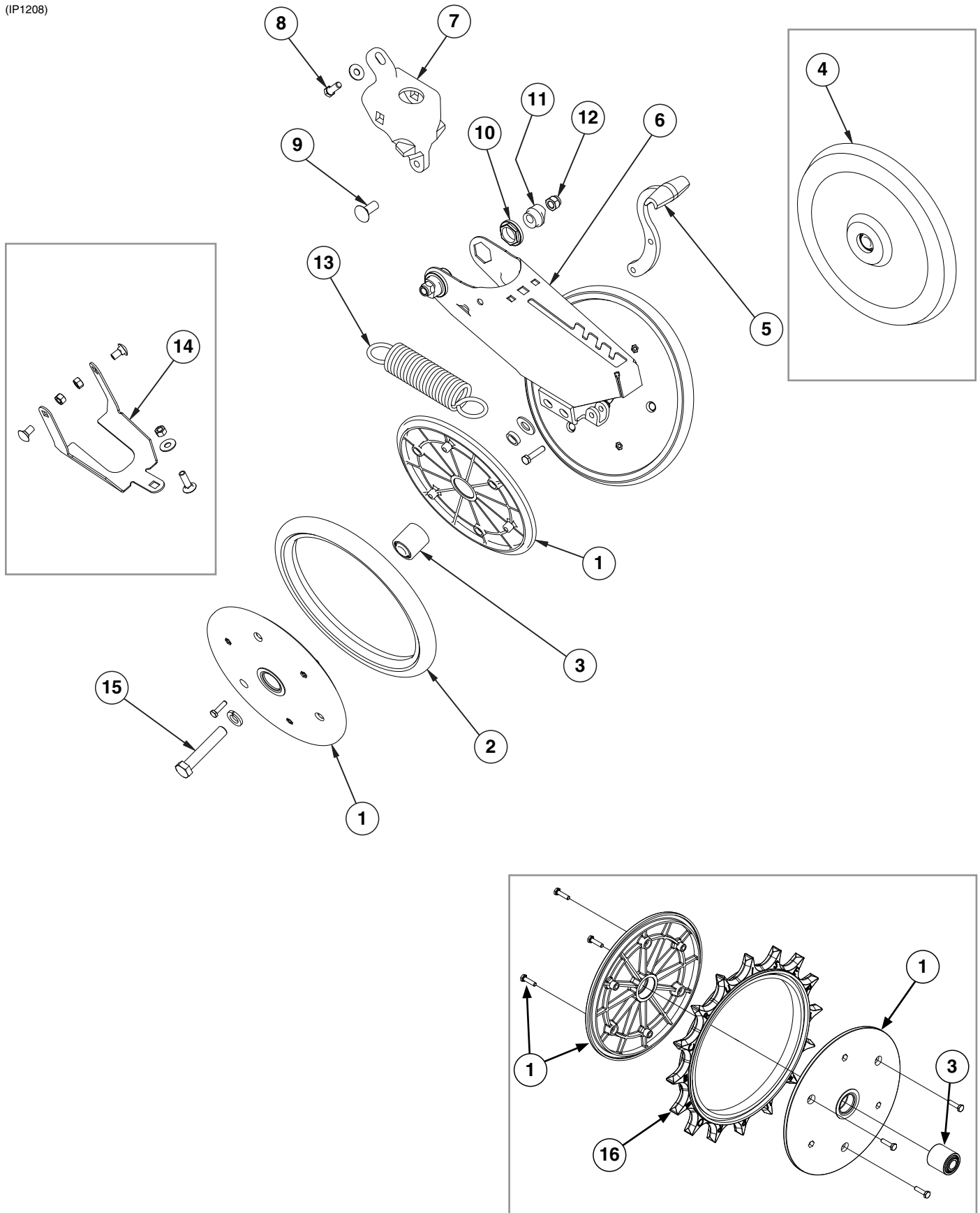
ITEM	PART NO.	QTY. (Per Row)	DESCRIPTION
1	GA10157	-	See "Shank Assembly, Seed Tube, and Depth Adjustment" on page P1
2	GA7975	1	Wheel Arm W/Grease Fitting, Bushings, and Seals, L.H. (Shown) (Includes Items 3 and 13)
	GA7976	1	Wheel Arm W/Grease Fitting, Bushings, and Seals, R.H. (Includes Items 3 and 13)
3	GB0276	2	Bushing, 1" I.D. x 1¼" O.D. x 1" Long (Per Arm)
4	G10014	1	Hex Head Cap Screw, ½"-13 x 1"
	G10228	2	Lock Washer, ½"
	G10216	2	Washer, ½" USS
5	GD11423	4	Half Wheel
6	GD1086	2	Tire
7	GD11453	2	Cover
8	G10924	8	Carriage Bolt, ⅝"-18 x 1¾"
	G10620	8	Serrated Flange Nut, ⅝"-18
9	G10338	12	Carriage Bolt, ⅝"-18 x 1¼"
	G10620	12	Serrated Flange Nut, ⅝"-18
10	G10010	2	Hex Head Cap Screw, ⅝"-11 x 3"
11	G10018	14	Hex Head Cap Screw, ⅝"-18 x ⅝"
	G10109	14	Lock Nut, ⅝"-18, Grade 8
12	GA6171	2	Bearing
13	GD10991	2	Seal (Per Arm)
14	G10204	2	Special Machine Bushing, ⅝" x 1" O.D.
15	G10640	1	Grease Fitting, ¼"-28 (Per Arm)
16	G10940	-	Machine Bushing, 1" (.048" Thick)
A	GA7949	-	Gauge Wheel Complete (Items 5-9 and 11-12)
B	G1K296	-	Gauge Wheel Arm Bushing and Seal Driver Kit, Includes: (1) Seal Driver, (1) Bushing Driver, (1) Instruction

RUA054/RUB026(RU94d)



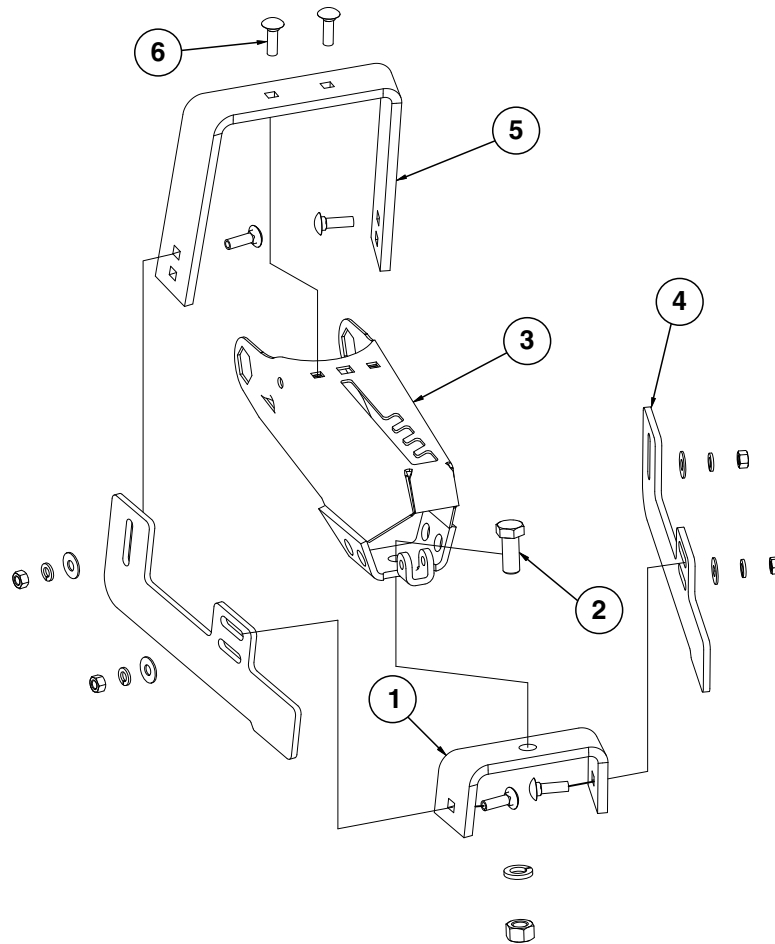
ITEM	PART NO.	QTY. (Per Row)	DESCRIPTION
1	G10001	1	Hex Head Cap Screw, 3/8"-16 x 1"
	G11387	1	Flat Washer, 3/8" SAE
2	GB0268	1	Wheel Arm Stop
3	G10801	2	Carriage Bolt, 1/2"-13 x 2 1/4"
	G10315	-	Carriage Bolt, 1/2"-13 x 2 1/2" (Used W/Straight Drop In-Furrow Granular Chemical Bracket)
	G10102	2	Hex Nut, 1/2"-13
4	GA2054	1	Spring
5	GB0239	2	Eccentric Bushing
6	G10102	1	Hex Nut, 1/2"-13
7	G10015	1	Adjusting Bolt, 1/2"-13 x 5"
8	GA6619	1	Mounting Arm
9	G10463	2	Cotter Pin, 1/4" x 1 1/2"
10	G10171	4	Hex Head Cap Screw, 5/16"-18 x 1 1/4"
	G10232	4	Lock Washer, 5/16"
	G10106	4	Hex Nut, 5/16"-18
11	GA6620	2	Bracket
12	GA6618	2	Mount
13	G10303	2	Carriage Bolt, 5/16"-18 x 1"
	G11386	2	Flat Washer, 5/16" SAE
	G10232	2	Lock Washer, 5/16"
	G10106	2	Hex Nut, 5/16"-18
14	G10107	3	Lock Nut, 5/8"-11
15	GD1109	2	Bushing, 4 1/64" I.D. x 7/8" O.D. x 1/4" Long
16	GD9290	2	Disc Blade, 8"
17	G10018	7	Hex Head Cap Screw, 5/16"-18 x 5/8"
	G10109	7	Lock Nut, 5/16"-18, Grade 8
18	G10152	1	Hex Head Cap Screw, 5/8"-11 x 9"
19	GD3180-12	2	Sleeve, 5/8" I.D. x 7/8" O.D. x 2 7/8" Long
20	GD9562	2	Half Wheel
21	GA6171	1	Bearing
22	GD9305	1	Tire
23	GA2014	2	Bearing
24	GD10473	2	Bearing Housing
25	G10427	12	Rivet, 1/4" x 1/2"
26	G10006	2	Hex Head Cap Screw, 5/8"-11 x 2 1/4"
27	GD11845	2	Dust Cap
A	GA6733	-	Single Press Wheel Complete W/Bearing (Items 17 and 20-22)
B	GA6801	-	Covering Disc Blade Complete W/Bearing (Items 16 and 23-25)

(IP1208)



ITEM	PART NO.	QTY. (Per Row)	DESCRIPTION
1	GD9120	4	Nylon Half Wheel
	G10064	12	Hex Head Cap Screw, 1/4"-20 x 1"
2	GD1085	2	Rubber Tire, 1" x 12"
3	GA6171	2	Bearing
4	GA6597	1	Cast Iron Closing Wheel W/Bearing
	GA6171	1	Bearing
5	GB0254	1	Lever
	G10133	1	Hex Head Cap Screw, 5/16"-18 x 1 1/2"
	G10109	1	Lock Nut, 5/16"-18, Grade 8
6	GA15197	1	Closing Wheel Arm
7	GB0268	1	Wheel Arm Mount
8	G10001	1	Hex Head Cap Screw, 3/8"-16 x 1"
	G11387	2	Flat Washer, 3/8" SAE
9	G11419	2	Carriage Bolt, 1/2"-13 x 2 1/4"
	G10315	-	Carriage Bolt, 1/2"-13 x 2 1/2" (Used W/Straight Drop In-Furrow Granular Chemical Bracket)
	G11387	-	Flat Washer, 3/8" SAE
10	GB0282	2	Stepped Bushing
11	GB0239	2	Eccentric Bushing
12	G10111	2	Lock Nut, 1/2"-13
13	GD8460	1	Spring
14	G1K345	-	Closing Wheel Shield Kit W/Hardware and Instruction
	GD14065	1	Closing Wheel Shield
	G10599	1	Carriage Bolt, 3/8"-16 x 1 1/4"
	G10308	2	Carriage Bolt, 3/8"-16 x 3/4"
	G10101	3	Hex Nut, 3/8"-16
15	G10013	2	Hex Head Cap Screw, 5/8"-11 x 3 1/2"
	G11391	2	Flat Washer, 5/8" SAE
	GD1109	2	Bushing, 4 1/64" I.D. x 7/8" O.D. x 1/4" Long
	G10230	2	Lock Washer, 5/8"
	G10107	2	Lock Nut, 5/8"-11
16	GD31353	1	Spiked Wheel Insert
A	GA6434	-	Rubber Closing Wheel Complete W/Bearing (Items 1-3)
B	GA22165	-	Spiked Closing Wheel Complete W/Bearing (Items 1-3 and 16)

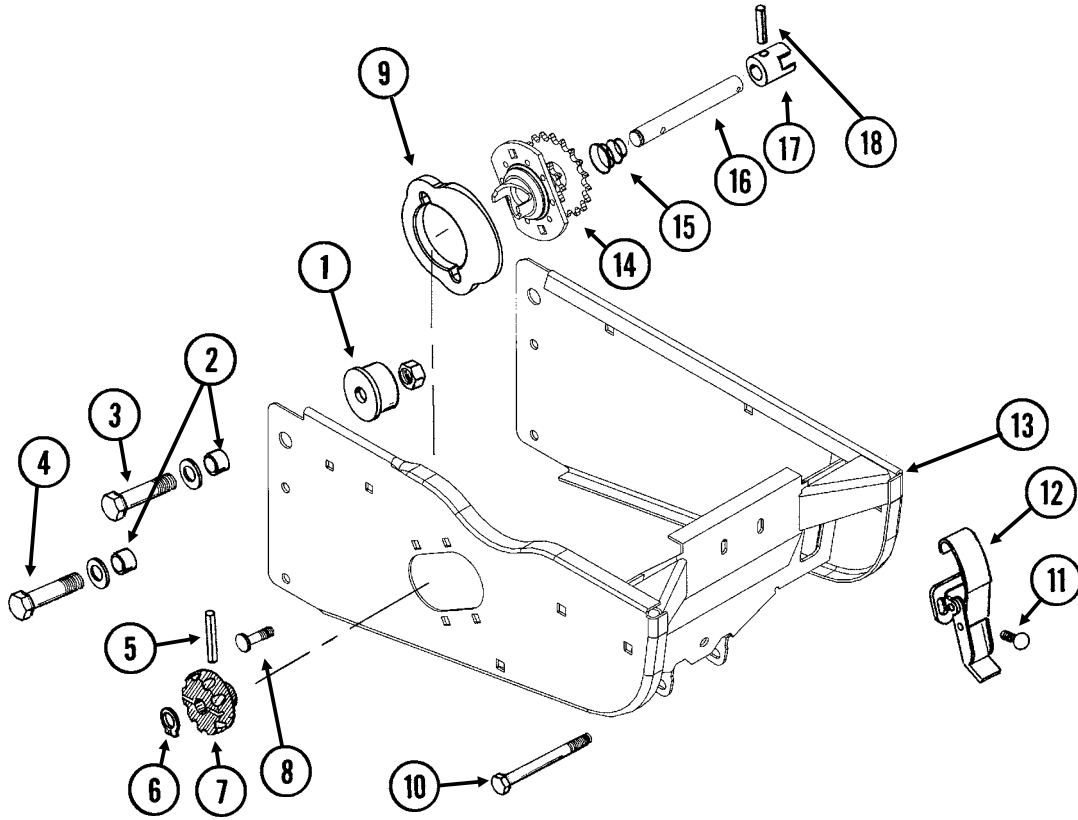
(IP1202)



ITEM	PART NO.	QTY. (Per Row)	DESCRIPTION
1	GD11509	1	Rear Bracket
2	G10007	1	Hex Head Cap Screw, 5/8"-11 x 1 1/2"
	G10230	1	Lock Washer, 5/8"
	G10104	1	Hex Nut, 5/8"-11
3	GA15197	1	Closing Wheel Arm
4	GD11313	2	Blade
5	GD11508	1	Front Bracket
6	G10599	6	Carriage Bolt, 3/8"-16 x 1 1/4"
	G10229	6	Lock Washer, 3/8"
	G11387	6	Flat Washer, 3/8" SAE
	G10101	6	Hex Nut, 3/8"-16
A	G7566X	-	Drag Closing Attachment Complete (Items 1-6)

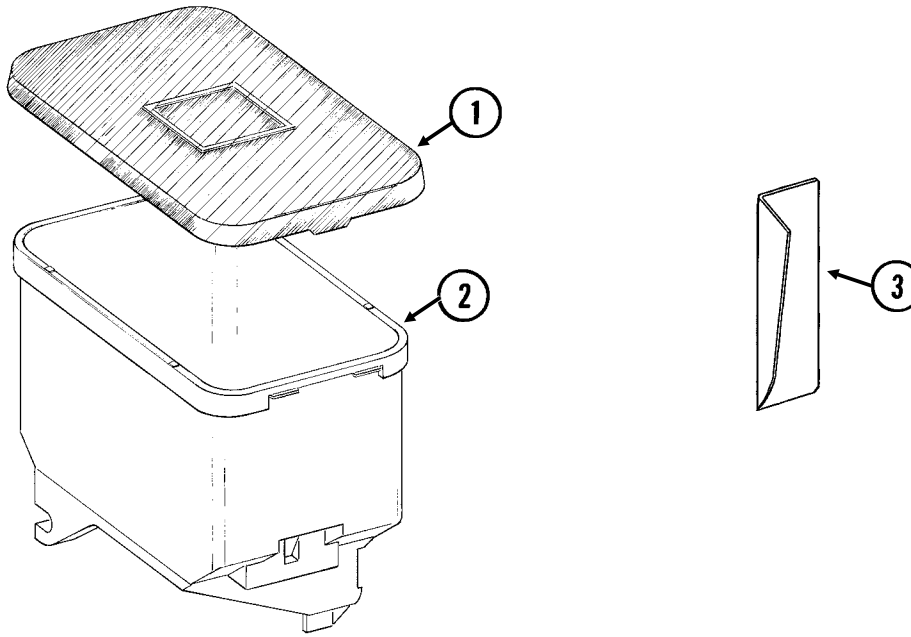
This page left blank intentionally.

(METR2d)



ITEM	PART NO.	QTY. (Per Row)	DESCRIPTION
1	GB0314	2	Hopper Mount
2	GB0218	4	Bushing, 2 ¹ / ₃₂ " I.D. x 7 ⁷ / ₈ " O.D. x 1 ⁹ / ₃₂ " Long
3	G10752	2	Hex Head Cap Screw, 5 ⁸ / ₁₆ "-18 x 2 ¹ / ₄ "
	G11391	2	Flat Washer, 5 ⁸ / ₁₆ " SAE
	G11514	2	Lock Nut, 5 ⁸ / ₁₆ "-18
4	G10751	2	Hex Head Cap Screw, 5 ⁸ / ₁₆ "-18 x 1 ³ / ₄ "
	G11391	2	Flat Washer, 5 ⁸ / ₁₆ " SAE
	G11514	2	Lock Nut, 5 ⁸ / ₁₆ "-18
5	G10602	1	Spring Pin, 1 ⁴ / ₄ " x 1 ¹ / ₂ "
6	G10567	1	External Retaining Ring, 5 ⁸ / ₁₆ "
7	GD11239	1	Knob
8	G10338	2	Carriage Bolt, 5 ¹⁶ / ₁₆ "-18 x 1 ¹ / ₄ "
	G10620	2	Serrated Flange Nut, 5 ¹⁶ / ₁₆ "-18
9	GB0331	1	Clutch Adapter Plate
10	G10061	1	Hex Head Cap Screw, 3 ⁸ / ₁₆ "-16 x 3 ¹ / ₂ "
	G11387	2	Flat Washer, 3 ⁸ / ₁₆ " SAE
	G10108	1	Lock Nut, 3 ⁸ / ₁₆ "-16
11	G10309	2	Carriage Bolt, 1 ⁴ / ₄ "-20 x 5 ⁸ / ₁₆ ", Grade 2
	G10621	2	Serrated Flange Nut, 1 ⁴ / ₄ "-20
12	GA2007	1	Hopper Hold Down Latch
13	GA10155	1	Hopper Support
14	GA10137	1	Double Sprocket and Bearing, Drive Clutch, 11/19 Tooth
15	GD11413	1	Spring
16	GD15747	1	Shaft
17	GB0278	1	Coupler
18	G10546	1	Spring Pin, 3 ¹⁶ / ₁₆ " x 1 ¹ / ₄ "
A	GA10151	-	Seed Meter Clutch Assembly, 11/19 Tooth (Items 5-7 and 14-18)

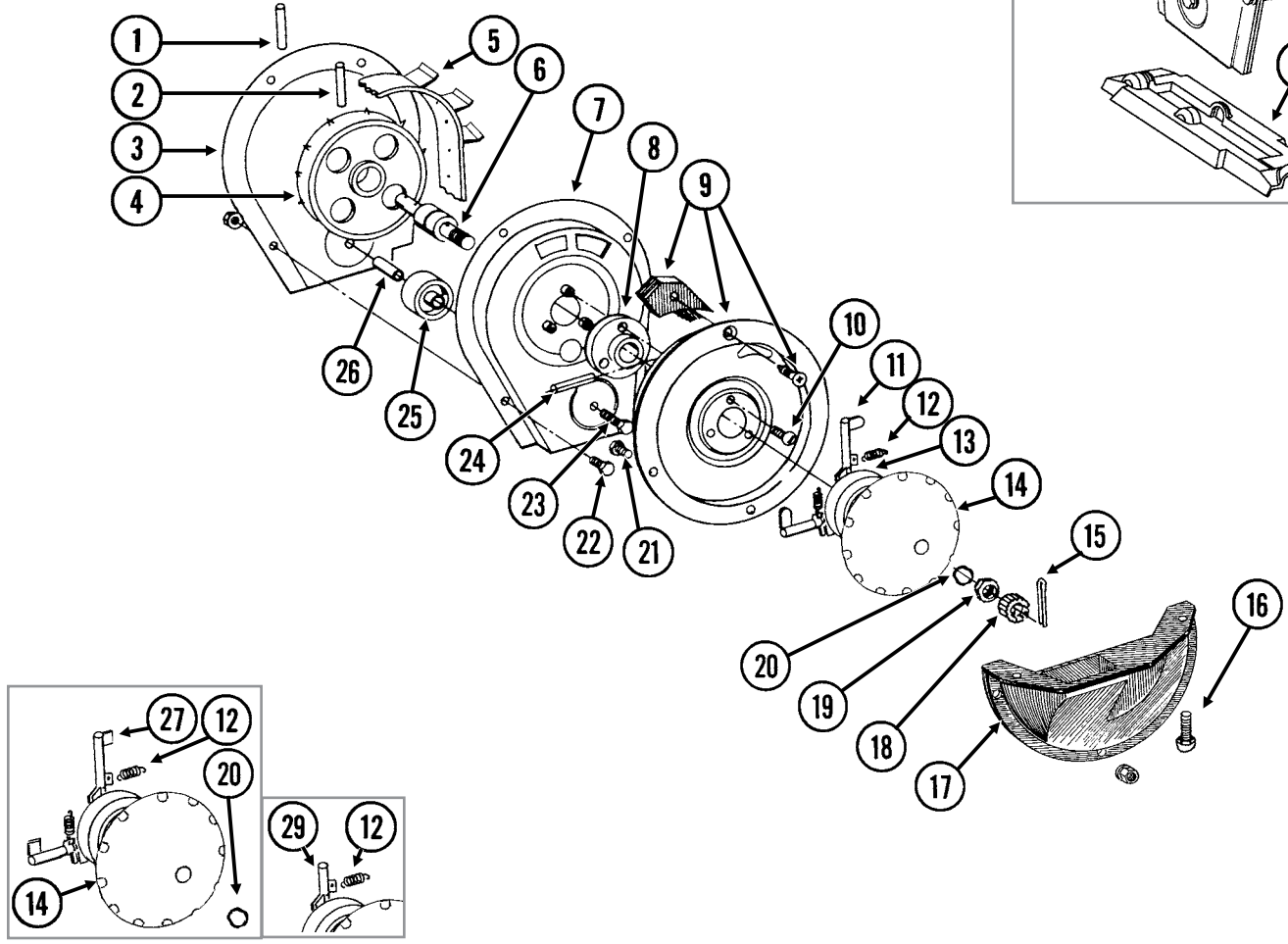
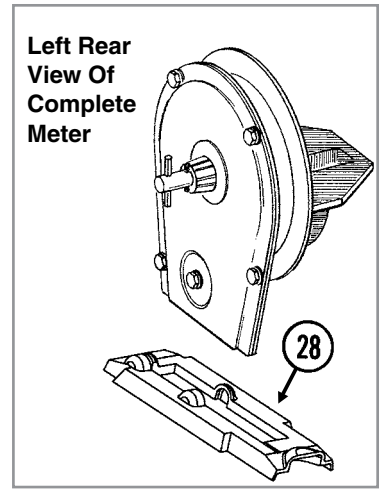
(RU87e/RU87a)



ITEM	PART NO.	QTY. (Per Row)	DESCRIPTION
1	GD11279	1	Lid
2	GA9714	1	Seed Hopper, Reinforced
	GD12561	-	Threaded Insert, 9/16"-18
3	GD11747	1	Seed Reserve Baffle

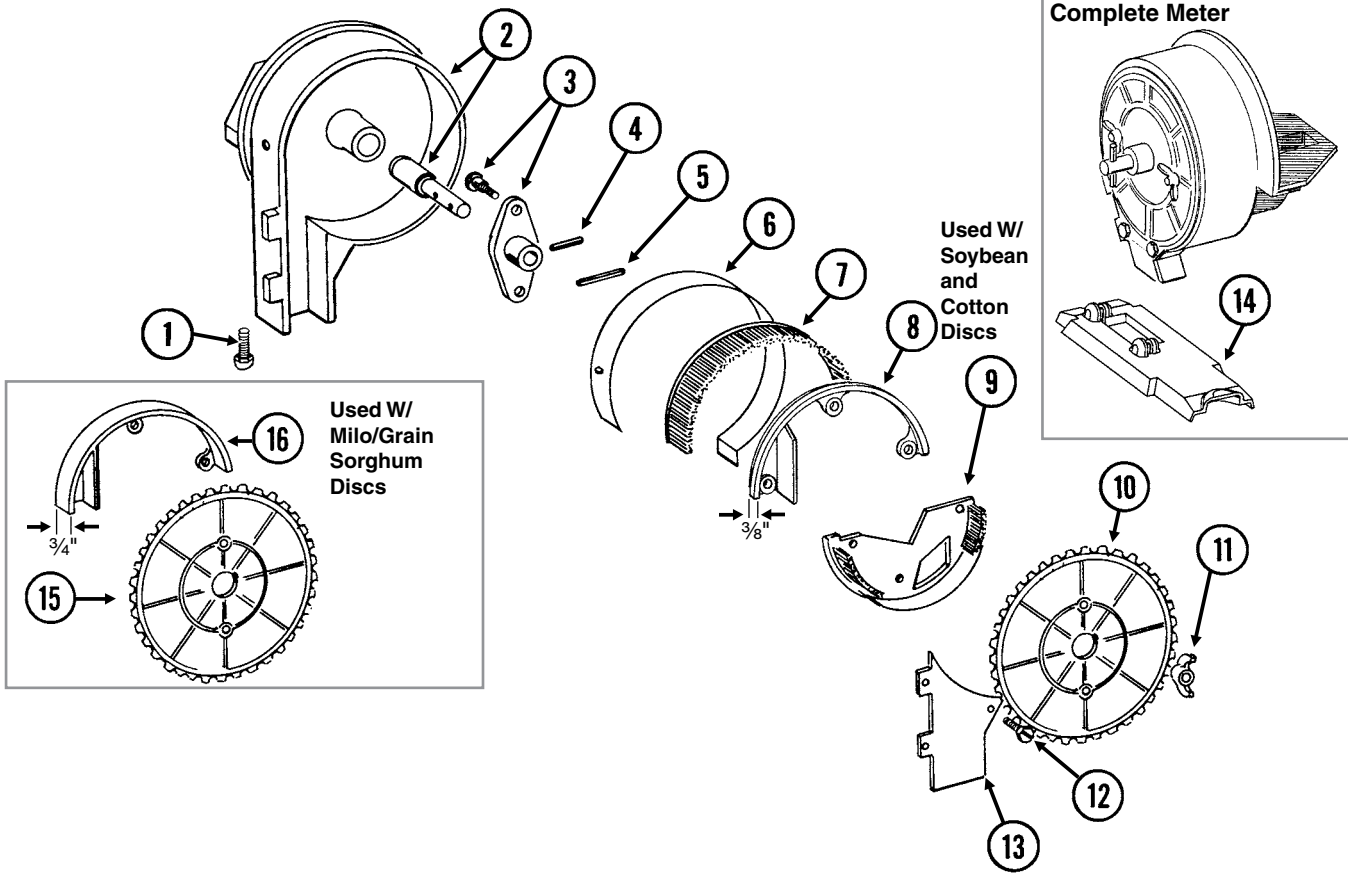
This page left blank intentionally.

RUA015/RUA056/RUA057(RU13k/RU13d)



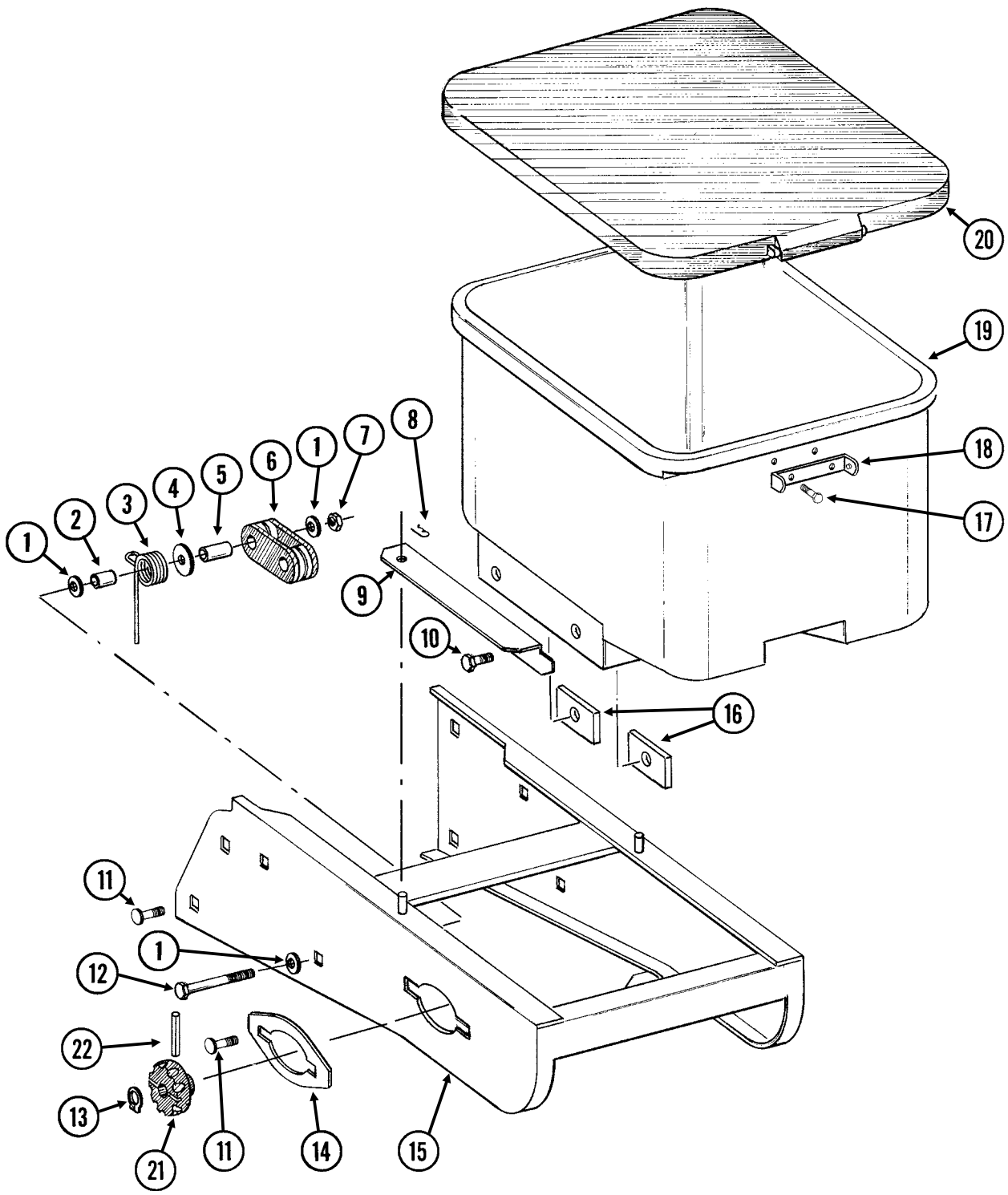
ITEM	PART NO.	QTY. (Per Row)	DESCRIPTION
1	G10602	1	Spring Pin, 1/4" x 1 1/2"
2	G10604	1	Spring Pin, 3/16" x 1 1/2"
3	GD26419	1	Housing Cover
4	GD1041	1	Belt Drive Sprocket
5	GD11286	1	Seed Belt
6	GA2019	1	Bearing
7	GA18201	1	Conveyor Housing
8	GB0110	1	Bearing Housing
9	GR1569	-	Carrier Plate W/Brush and Screw (Corn)
	GR0664	-	Carrier Plate W/Brush and Screw (Sunflower)
	GA2020	-	Brush
	G10690	-	Rolling Thread Screw, No. 10 x 3/4"
10	G10401	3	Slotted Hex Washer Head Screw, No. 10-32 x 5/8"
11	GD18704	12	Finger, Corn
12	GD19790	12	Spring
13	GB0410	1	Cam
14	GD11528	1	Finger Holder (Corn and Sunflower - Used With GR1848)
	GD26594	-	Finger Holder (Corn and Sunflower - Used With GR2154)
15	G10470	1	Cotter Pin, 5/32" x 1"
16	G11009	2	Locking Thumbscrew, 5/16"-18 x 3/4"
17	GD11311	1	Seed Baffle
18	GD1083	1	Cover Nut
19	G10500	1	Jam Nut, 5/8"-18 UNF
20	GA8343	1	Wave Washer, 5/8" (Triple Wave)
21	G10020	3	Hex Head Cap Screw, 1/4"-20 x 5/8"
	G10323	3	Hex Flange Nut, 1/4"-20, No Serrations
22	G10022	4	Hex Head Cap Screw, 1/4"-20 x 1/2"
	G10621	4	Serrated Flange Nut, 1/4"-20
23	G10021	1	Hex Head Cap Screw, 1/4"-20 x 1 1/2"
	G10621	1	Serrated Flange Nut, 1/4"-20
24	G10603	1	Spring Pin, 1/4" x 1 1/4"
25	GD1042	1	Idler
26	GB0120	1	Bushing, 1 7/64" I.D. x 1 1/32" Long
27	GD19333	12	Finger, Oil Sunflower
28	GD15698	1	Shank Cover, Finger Pickup Seed Meter
29	GD11787	-	Half Rate Blank Finger
30	GB0410	-	Cam (Sunflower)
A	GR1848	-	Finger Assembly, Corn (Items 11-14 and 20)
B	GR2154	-	Finger Assembly, Sunflower (Items 12, 14, 20, 27, and 30)
C	700-01082	-	Corn Meter Assembly (Items 1-26 and 28)
D	900-01117	-	Sunflower Meter Assembly (Items 1-10, 12, 14-15, 17-27, and 30)

RUA037/RUA056/RUA057(RU14f)



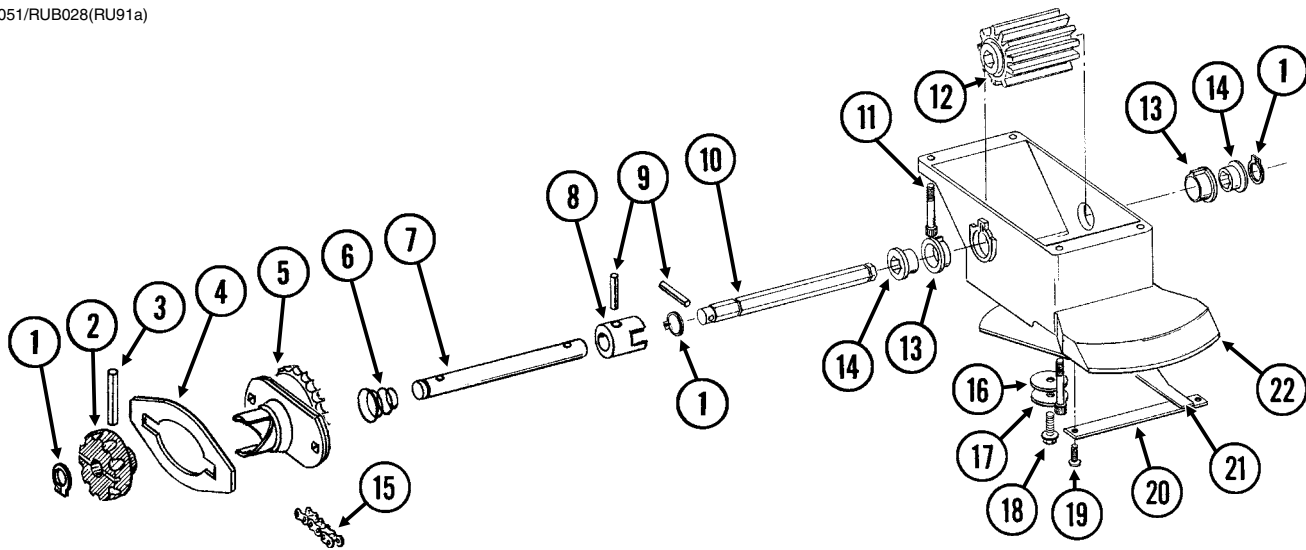
ITEM	PART NO.	QTY. (Per Row)	DESCRIPTION
1	G11009	2	Locking Thumbscrew, 5/16"-18 x 3/4"
2	GA18208	1	Housing W/Bearing
	GA5698	-	Bearing
3	GA6038	1	Hub W/Shoulder Bolts
	GD1755	-	Shoulder Bolt, 1/4"-20 (2 Used)
4	G10603	1	Spring Pin, 1/4" x 1 1/4"
5	G10602	1	Spring Pin, 1/4" x 1 1/2"
6	GD8778	1	Wear Strip
7	GA5699	1	Upper Brush
8	GD11122	1	Upper Brush Retainer (Used W/Soybean and Cotton Discs)
9	GA5834	1	Lower Brush
10	GA5794	-	Seed Disc, Soybean, 60 Cell, Black Color-Coded
	GA6184	-	Seed Disc, Specialty Soybean, 48 Cell, Dark Blue Color-Coded
	GA5796	-	Seed Disc, Cotton, Acid-Delinted, 30 Cell, White Color-Coded
	GA6168	-	Seed Disc, Large Cotton, Acid-Delinted, 36 Cell, Tan Color-Coded
	GA6478	-	Seed Disc, High-Rate Cotton, Acid-Delinted, 48 Cell, Light Green Color-Coded
	GA6182	-	Seed Disc, Hill-Drop Cotton, Acid-Delinted, 12 Cell, Brown Color-Coded
	GA7255	-	Seed Disc, Small Hill-Drop Cotton, Acid-Delinted, 12 Cell, Dark Green Color-Coded
11	G10531	2	Wing Nut W/Nylon Insert, 1/4"-20
12	G11151	9	Hex Washer Head Screw, No. 10-16 x 1/2"
	G10634	-	Slotted Tap Screw, No. 10-24 x 5/8" (Use As Required)
13	GD7878	1	Cover
14	GD15699	1	Shank Cover, Brush-Type Seed Meter
15	GA5982	-	Seed Disc, Small Milo/Grain Sorghum, 30 Cell, Red Color-Coded
	GA6187	-	Seed Disc, Large Milo/Grain Sorghum, 30 Cell, Light Blue Color-Coded
	GA5795	-	Seed Disc, High-Rate Small Milo/Grain Sorghum, 60 Cell, Red Color-Coded
	GA6633	-	Seed Disc, High-Rate Large Milo/Grain Sorghum, 60 Cell, Yellow Color-Coded
16	GD8237	-	Upper Brush Retainer (Used W/Milo/Grain Sorghum Discs)
A	700-01079	-	Brush Meter (Items 1-9 and 11-14)

(METR14d)



ITEM	PART NO.	QTY. (Per Row)	DESCRIPTION
1	G11387	3	Flat Washer, 3/8" SAE
2	GD2971-10	1	Sleeve, 9/16" Long
3	GD11219	1	Spring
4	G10201	1	Special Washer, 3/8" x 1 1/2" O.D.
5	GD1026	1	Sleeve, 1 3/16" Long
6	GD11962	1	Idler
7	G10108	1	Lock Nut, 3/8"-16
8	G10670	2	Hair Pin Clip, No. 3
9	GD1059L	1	Support, L.H. (Shown)
	GD1059R	1	Support, R.H.
10	G10002	4	Hex Head Cap Screw, 3/8"-16 x 3/4"
	G10229	4	Lock Washer, 3/8"
11	G10312	8	Carriage Bolt, 5/16"-18 x 3/4"
	G10620	8	Serrated Flange Nut, 5/16"-18
12	G10325	1	Hex Head Cap Screw, 3/8"-16 x 2 3/4"
13	G10567	3	External Retaining Ring, 5/8"
14	GD11305	1	Plate
15	A10759	1	Hopper Panel Extension (Non-Stock Item) (Sub Wholegoods Order Code 700-01099)
16	GD11424	4	Block
17	G10023	2	Hex Head Cap Screw, 1/4"-20 x 3/4"
	G10621	2	Serrated Flange Nut, 1/4"-20
18	GD1060	1	Hinge
19	GA8371	1	Hopper
20	GA4444	1	Lid
21	GD11239	1	Knob
22	G10602	1	Spring Pin, 1/4" x 1 1/2"

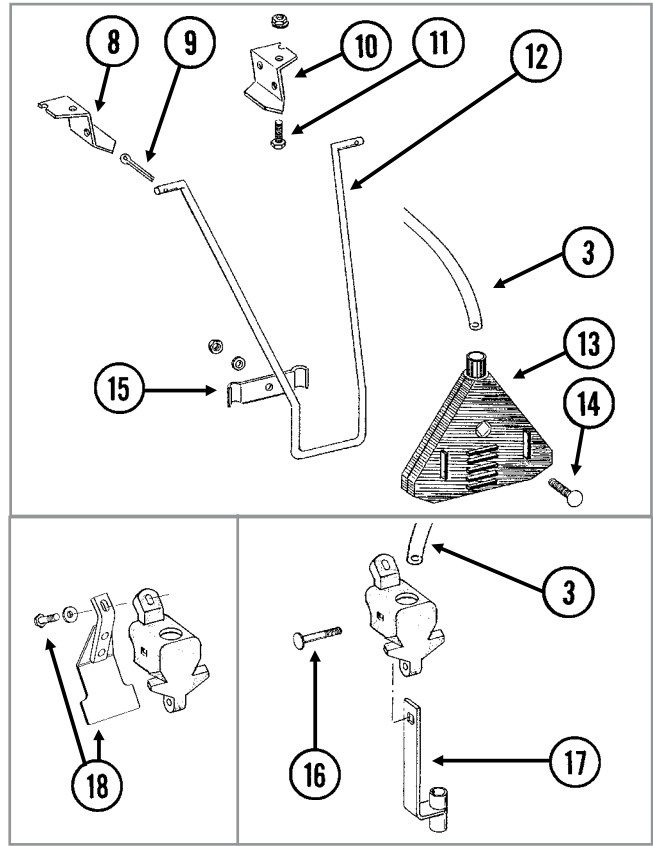
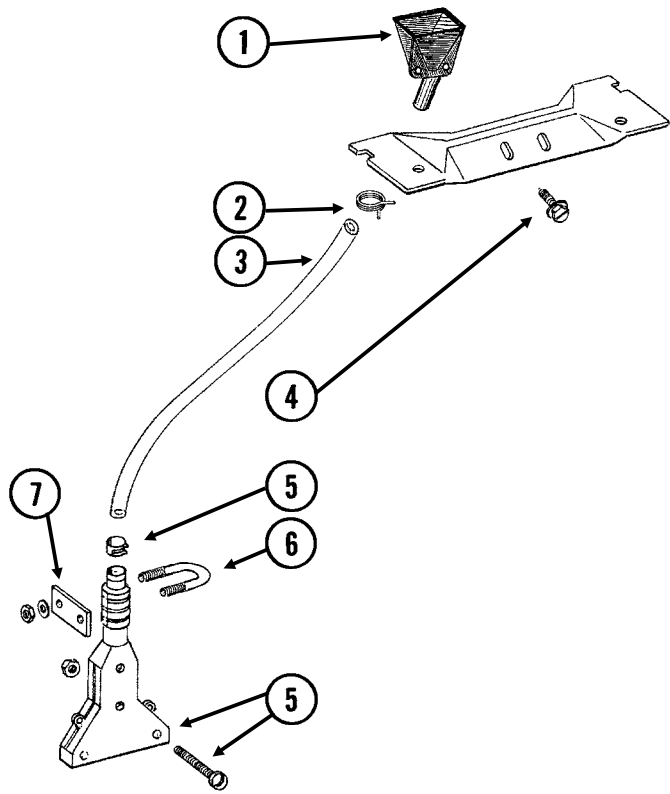
RUA051/RUB028(RU91a)



ITEM	PART NO.	QTY. (Per Row)	DESCRIPTION
1	G10567	3	External Retaining Ring, 5/8"
2	GD11239	1	Knob
3	G10602	1	Spring Pin, 1/4" x 1 1/2"
4	---	-	See "Granular Chemical Hopper and Hopper Panel Extension" on page P21
5	GA8364	1	Sprocket and Bearing, Drive Clutch, 24 Tooth
6	GD11413	1	Spring
7	GD11240	1	Shaft
8	GB0278	1	Coupler
9	G10546	2	Spring Pin, 3/16" x 1 1/4"
10	GD11297	1	Shaft
11	G11793	4	Hex Socket Head Cap Screw, No. 10-24 x 7/8"
12	GD7148	1	Feed Roller, Hex Bore
13	GB0115	2	Bearing
14	GD7258	2	Hex Bushing
15	G3303-114	1	Chain, No. 41, 114 Pitch Including Connector Link
	GR0196	1	Connector Link, No. 41
16	G10660	1	Wave Washer, 1/2"
17	G11385	1	Flat Washer, 1/4" SAE
18	G10570	1	Slotted Hex Self-Tapping Screw, 1/4"-20 x 3/4"
19	G11073	2	Slotted Hex Self-Tapping Screw, No. 10 x 3/8"
20	GD1061	1	Support Strap
21	GD1063	1	Metering Gate
22	GB0116	1	Granular Housing
A	GA8326	-	Granular Chemical Meter Complete (Items 1, 9, 10, 12-14 and 16-22)
B	GA8366	-	Granular Chemical Meter Clutch (Items 1-3 and 5-9)

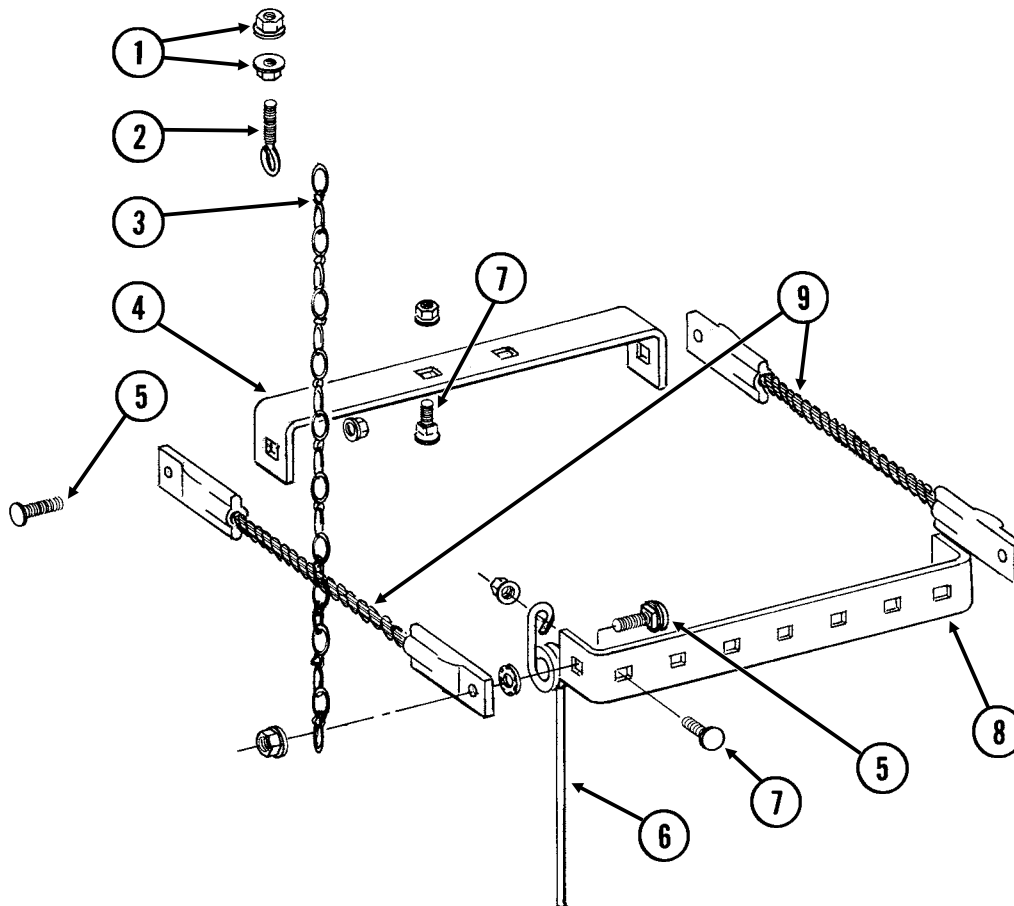
This page left blank intentionally.

RUA061/RUA073(RU101mm/RU83m)



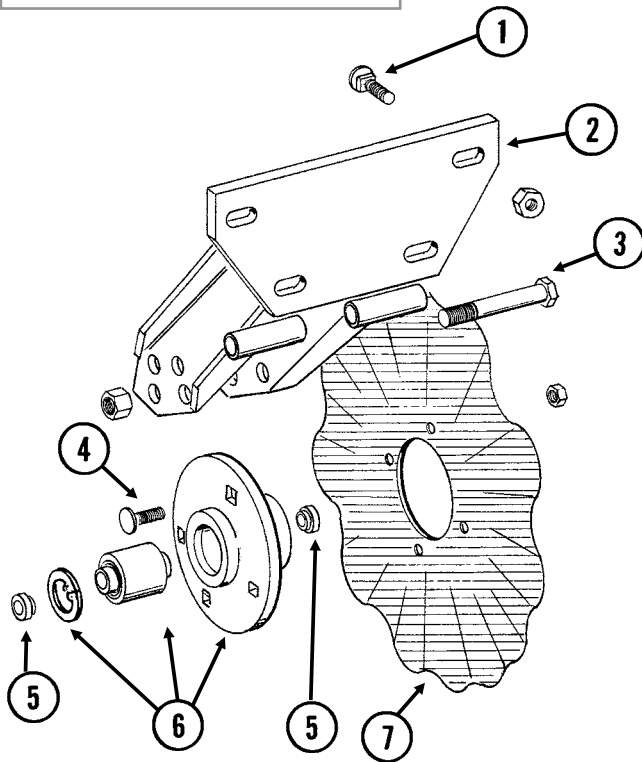
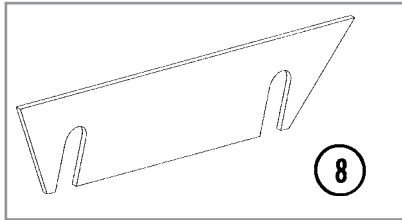
ITEM	PART NO.	QTY.	DESCRIPTION
1	GD2423	1	Funnel
2	G11209	1	Wire Hose Clamp, ¾"
3	GD2947	1	Hose, 7/16" x 28"
4	G10523	2	Slotted Pan Head Self-Tapping Screw, No. 10 x ½"
5	GA6907	1	Slope-Compensating Bander W/Hardware (4½" Band Width)
	G10864	1	Uni-Clamp
	G10757	2	Pan Head Screw, No. 10-32 x 1¼"
	G10758	2	Hex Nut, No. 10-32
6	GD10963	1	U-Bolt, 1½" x 1⅝" x ¼"-20
	G11385	2	Flat Washer, ¼" SAE
	G10110	2	Lock Nut, ¼"-20, Grade B
7	GD10984	1	Spacer
8	GD1115L	-	Hanger Bracket, L.H.
9	G10452	-	Cotter Pin, ⅛" x ½"
10	GD1115R	-	Hanger Bracket, R.H.
11	G10310	-	Carriage Bolt, ¼"-20 x ¾", Grade 2
	G10227	-	Lock Washer, ¼"
	G10103	-	Hex Nut, ¼"-20
12	GD1116	-	Hanger
13	GA2075	-	Diffuser, 14" Band
14	G10306	-	Carriage Bolt, ⅜"-16 x 2"
	G10229	-	Lock Washer, ⅜"
	G10101	-	Hex Nut, ⅜"-16
15	GD1118	-	Clamp
16	G10315	1	Carriage Bolt, ½"-13 x 2½" (Replaces Existing ½" x 2¼" Hardware)
17	GA6741	1	Bracket (Straight Drop In-Furrow)
18	G1K385	-	Bander Shield Kit W/Hardware and Instruction
	G10003	1	Hex Head Cap Screw, ⅜"-16 x 1½"
	G11387	1	Flat Washer, ⅜" SAE

RUA055(RU95)

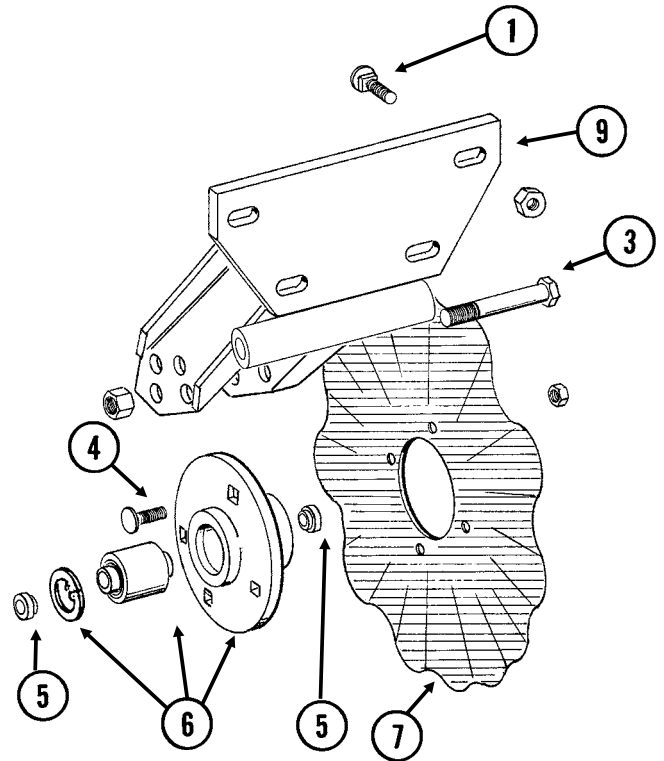


ITEM	PART NO.	QTY. (Per Row)	DESCRIPTION
1	G10621	4	Serrated Flange Nut, 1/4"-20
2	GD2460	2	Eyebolt, 1/4"-20
3	G3305-01	2	Twin Loop Chain, 9 Links
4	GD1143	1	Front Bracket
5	G10305	4	Carriage Bolt, 3/8"-16 x 1"
	G10529	4	External Tooth Lock Washer, 3/8"
	G10622	4	Serrated Flange Nut, 3/8"-16
6	GD1145	7	Spring Tooth
7	G10305	9	Carriage Bolt, 3/8"-16 x 1"
	G10622	9	Serrated Flange Nut, 3/8"-16
8	GD1144	1	Rear Bracket
9	GA2094	2	Cable Assembly

(D14398/RU102c/RU152)



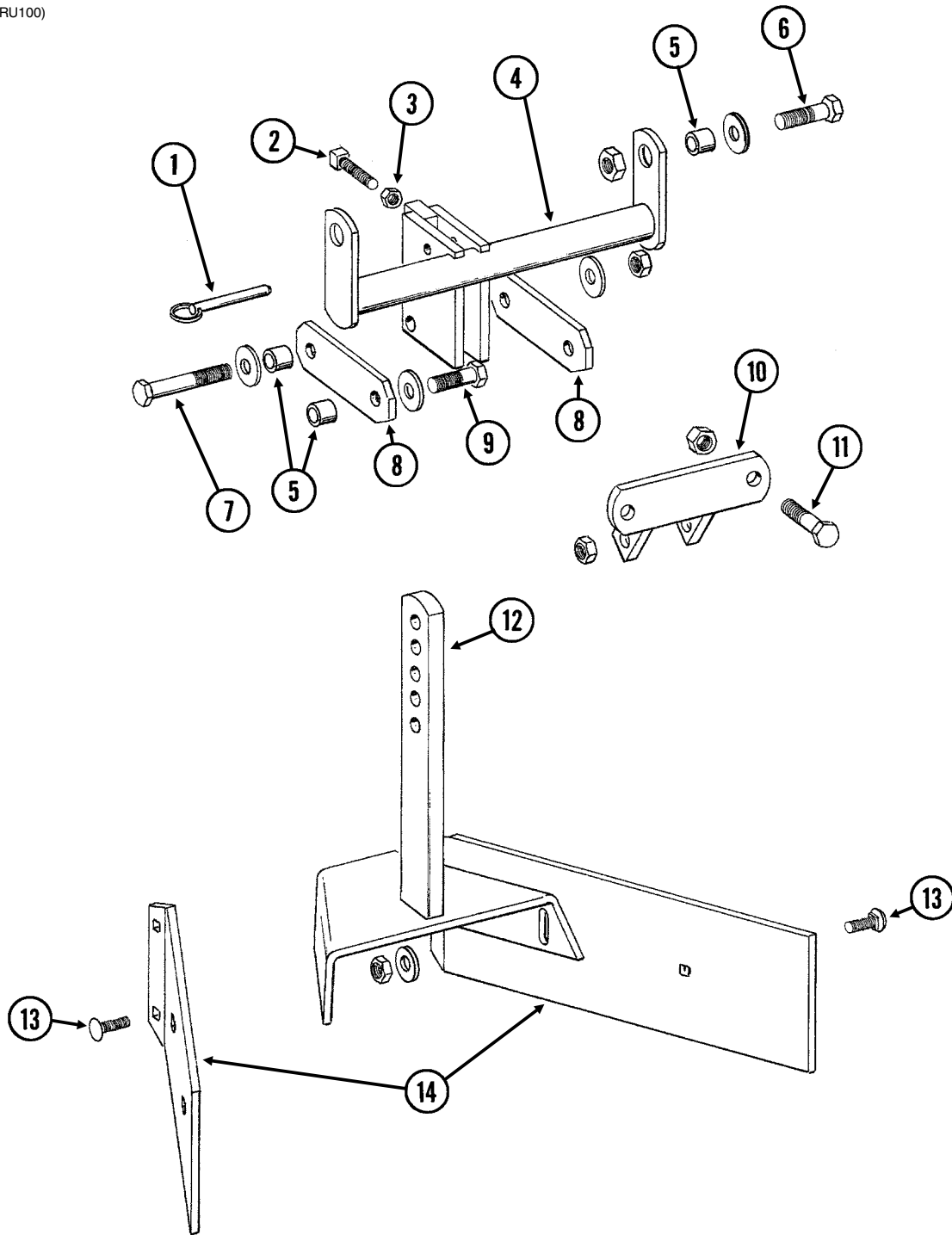
STYLE A



STYLE B

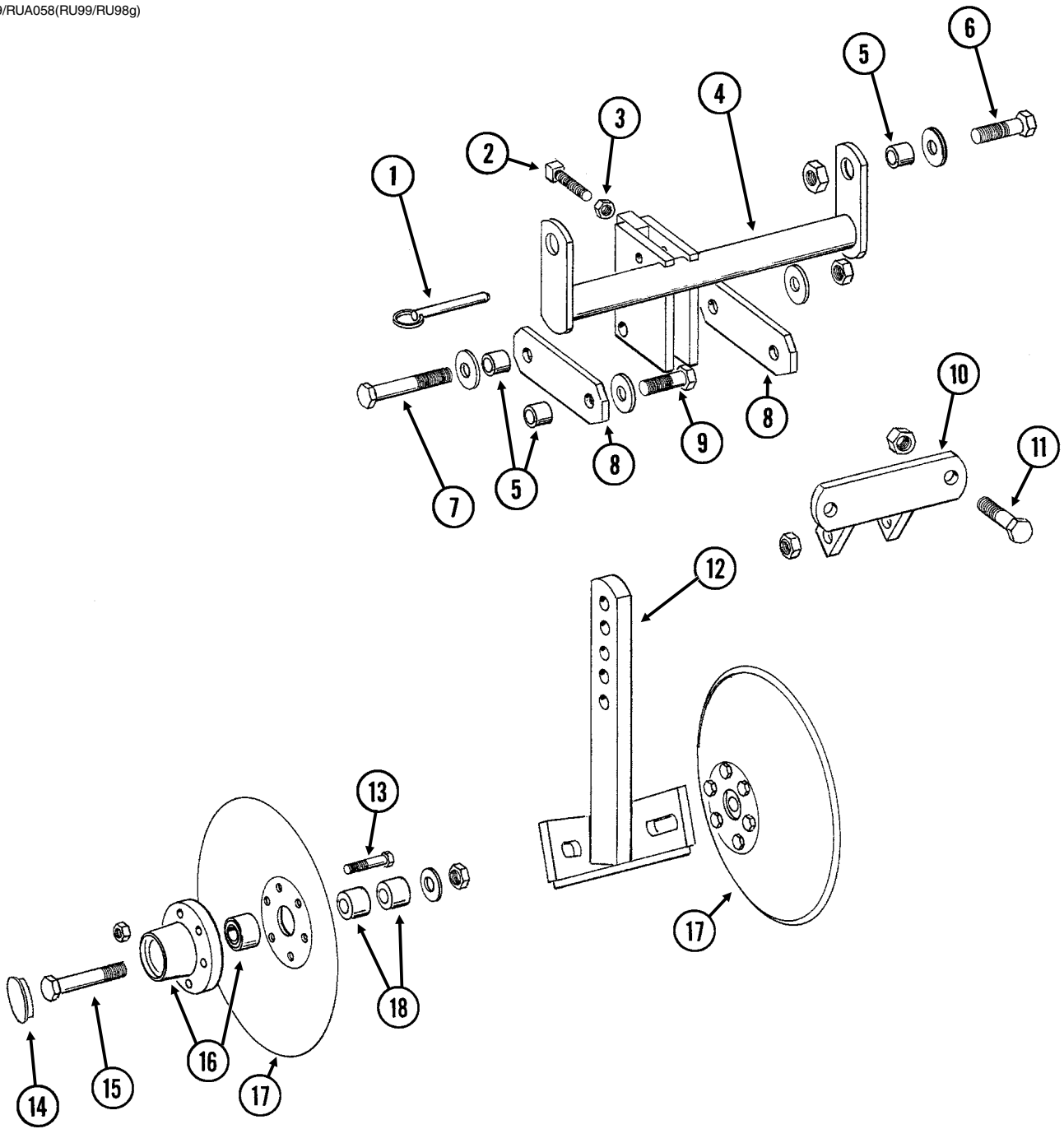
ITEM	PART NO.	QTY. (Per Row)	DESCRIPTION
1	G10574	4	Carriage Bolt, 1/2"-13 x 1 1/4"
	G10111	4	Lock Nut, 1/2"-13
2	GA5625	1	Arm (Style A)
3	G10036	1	Hex Head Cap Screw, 5/8"-11 x 4"
	G10107	1	Lock Nut, 5/8"-11
4	G10574	4	Carriage Bolt, 1/2"-13 x 1 1/4"
	G10111	4	Lock Nut, 1/2"-13
5	GD11677	2	Adapter
6	GA8641	1	Hub W/Bearing and Retaining Ring
	GA8603	-	Bearing, Double Row
	GD11652	-	Retaining Ring, 27/16"
7	GD7803	-	Disc Blade, Fluted, 1", 8 Flutes (Shown)
	GD7804	-	Disc Blade, Bubbled, 1"
	GD9254	-	Disc Blade, Fluted, 3/4", 13 Flutes
8	GD14398	-	Spacer
9	GA11520	1	Arm (Style B)

RUA059/RUA060(RU99/RU100)



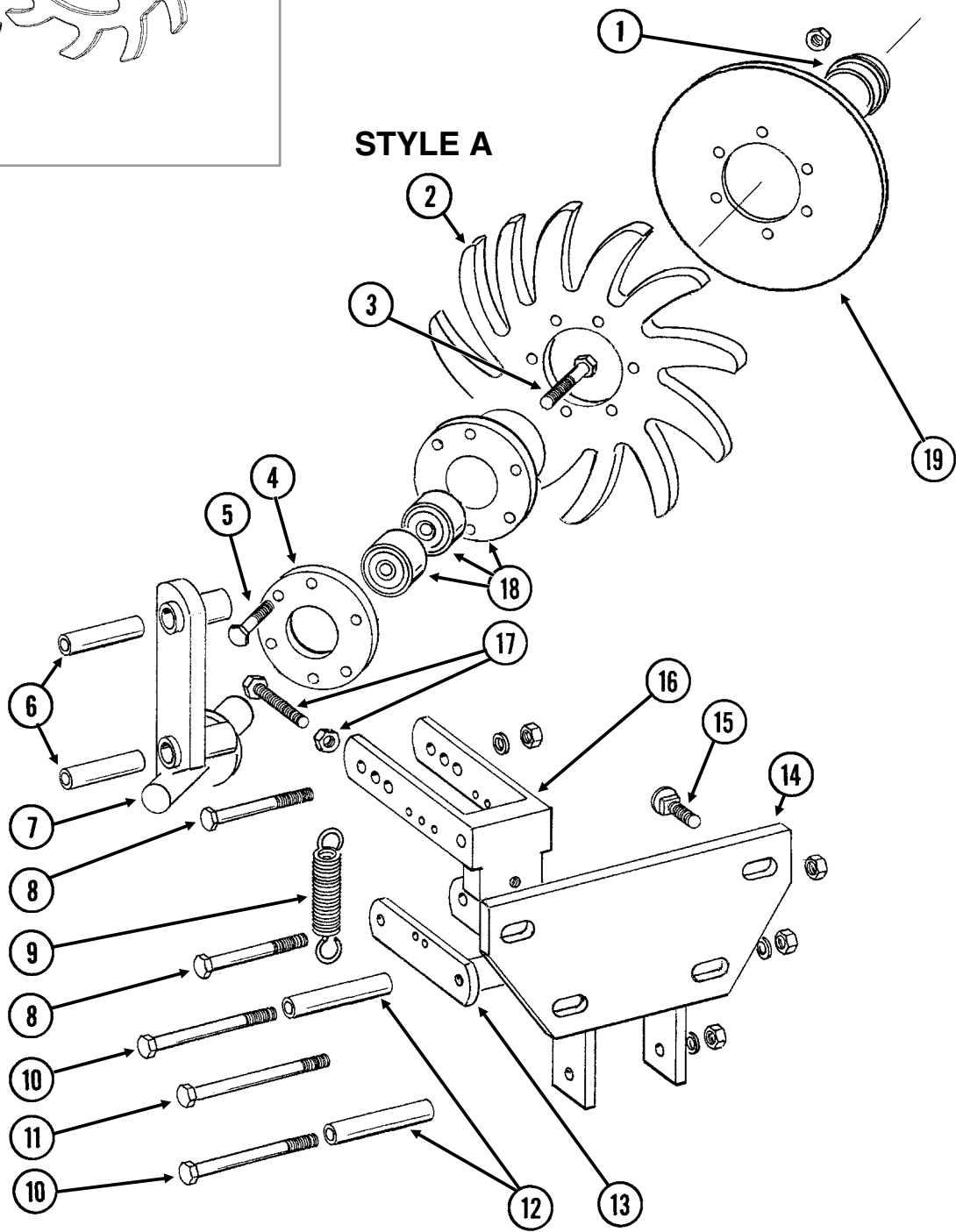
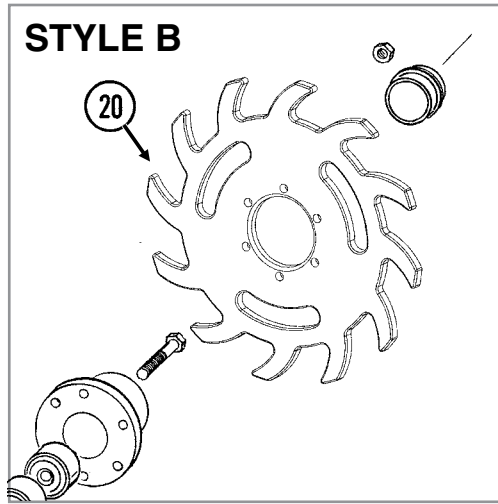
ITEM	PART NO.	QTY. (Per Row)	DESCRIPTION
1	G10536	1	Detent Pin, 1/2" x 2 1/2" Grip
2	G10597	1	Square Head Set Screw, 5/8"-11 x 2 1/4"
3	G10503	1	Hex Jam Nut, 5/8"-11, Grade 2
4	GA5719	1	Mounting Bracket
5	GD7889	6	Bushing, 1" O.D. x 9/16" I.D. x 7/16" Long
6	G10039	2	Hex Head Cap Screw, 1/2"-13 x 1 3/4"
	G11389	2	Flat Washer, 1/2" SAE
	G10111	2	Lock Nut, 1/2"-13
7	G10585	1	Hex Head Cap Screw, 1/2"-13 x 3 1/4"
	G11389	2	Flat Washer, 1/2" SAE
	G10111	1	Lock Nut, 1/2"-13
8	GD7890	2	Link
9	G10017	2	Hex Head Cap Screw, 1/2"-13 x 1 1/2"
	G11389	2	Flat Washer, 1/2" SAE
	G10111	2	Lock Nut, 1/2"-13
10	GA5715	1	Anchor
11	G10017	2	Hex Head Cap Screw, 1/2"-13 x 1 1/2"
	G10111	2	Lock Nut, 1/2"-13
12	GA5892	1	Leveler
13	G10303	6	Carriage Bolt, 5/16"-18 x 1"
	G11386	4	Flat Washer, 5/16" SAE
	G10109	6	Lock Nut, 5/16"-18, Grade 8
14	GD8266	2	Blade

RUA059/RUA058(RU99/RU98g)



ITEM	PART NO.	QTY. (Per Row)	DESCRIPTION
1	G10536	1	Detent Pin, 1/2" x 2 1/2" Grip
2	G10597	1	Square Head Set Screw, 5/8"-11 x 2 1/4"
3	G10503	1	Hex Jam Nut, 5/8"-11, Grade 2
4	GA5719	1	Mounting Bracket
5	GD7889	6	Bushing, 1" O.D. x 9/16" I.D. x 7/16" Long
6	G10039	2	Hex Head Cap Screw, 1/2"-13 x 1 3/4"
	G11389	2	Flat Washer, 1/2" SAE
	G10111	2	Lock Nut, 1/2"-13
7	G10585	1	Hex Head Cap Screw, 1/2"-13 x 3 1/4"
	G11389	2	Flat Washer, 1/2" SAE
	G10111	1	Lock Nut, 1/2"-13
8	GD7890	2	Link
9	G10017	2	Hex Head Cap Screw, 1/2"-13 x 1 1/2"
	G11389	2	Flat Washer, 1/2" SAE
	G10111	2	Lock Nut, 1/2"-13
10	GA5715	1	Anchor
11	G10017	2	Hex Head Cap Screw, 1/2"-13 x 1 1/2"
	G10111	2	Lock Nut, 1/2"-13
12	GA5718	1	Support Arm
13	G10572	6	Truss Head Slotted Machine Screw, 5/16"-18 x 7/8"
	G10106	6	Hex Nut, 5/16"-18
14	GD1132	2	Dust Cap
15	G10318	2	Hex Head Cap Screw, 5/8"-11 x 4 1/2"
	G11391	2	Flat Washer, 5/8" SAE
16	GA5654	2	Hub W/Bearings
	GA2014	-	Bearing
17	GD7823	-	Disc Blade, Solid, 12" (Shown)
	GD8307	-	Disc Blade, Notched, 12"
18	GD7817-01	2	Spacer, 1 1/16" I.D. x 3/4" Long
	GD7817-04	2	Spacer, 1 1/16" I.D. x 1/2" Long

(RU103dd/RU103d)

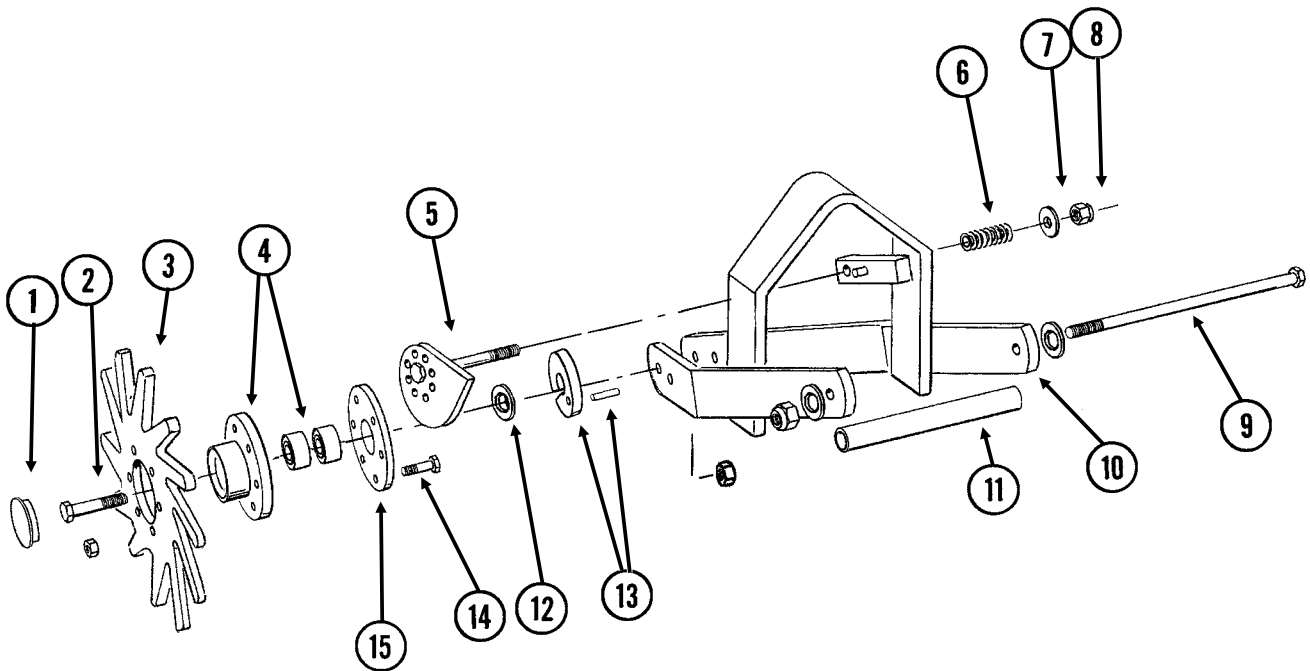


ITEM	PART NO.	QTY. (Per Row)	DESCRIPTION
1	GD1132	1	Dust Cap
2	GD10552	1	Wheel, 12 Tine, 3/8" x 12"
3	G10006	1	Hex Head Cap Screw, 5/8"-11 x 2 1/4"
4	GD9724	1	Backing Plate
5	G10133	6	Hex Head Cap Screw, 5/16"-18 x 1 1/2"
	G10109	6	Lock Nut, 5/16"-18, Grade 8
6	GD9720	2	Spacer, 1/2" x 2 3/16" Long
7	GA6838	1	Wheel Mount
8	G10033	2	Hex Head Cap Screw, 1/2"-13 x 3 1/2"
	G10228	2	Lock Washer, 1/2"
	G10102	2	Hex Nut, 1/2"-13
9	GD5857	2	Spring
10	G10045	2	Hex Head Cap Screw, 1/2"-13 x 4 1/2"
	G10228	2	Lock Washer, 1/2"
	G10102	2	Hex Nut, 1/2"-13
11	G10348	1	Hex Head Cap Screw, 1/2"-13 x 5" (Lockup Bolt)
	G10111	1	Lock Nut, 1/2"-13
12	GD9715	2	Spacer, 1/2" x 3" Long
13	GA6834	1	Lower Link
14	GA6832	1	Mount
15	G10574	4	Carriage Bolt, 1/2"-13 x 1 1/4"
	G10111	4	Lock Nut, 1/2"-13
16	GA6833	1	Upper Link
17	G10371	1	Hex Head Cap Screw, 1/2"-13 x 3", Full Thread
	G10501	1	Hex Jam Nut, 1/2"-13, Grade 2
18	GA5654	1	Hub W/Bearings
	GA2014	-	Bearing
19	GD12534	-	Cover
20	GB0387	1	Wheel, 12 Tine, 3/8" x 12"
A	GA7446	-	Wheel Assembly, 12 Tine, R.H. (Items 2, 4, 5 and 18)
B	GA12236	-	Wheel Assembly, 12 Tine, R.H. (Items 4, 5, 18 and 20)

This page left blank intentionally.

(RU104uuu/RU153)

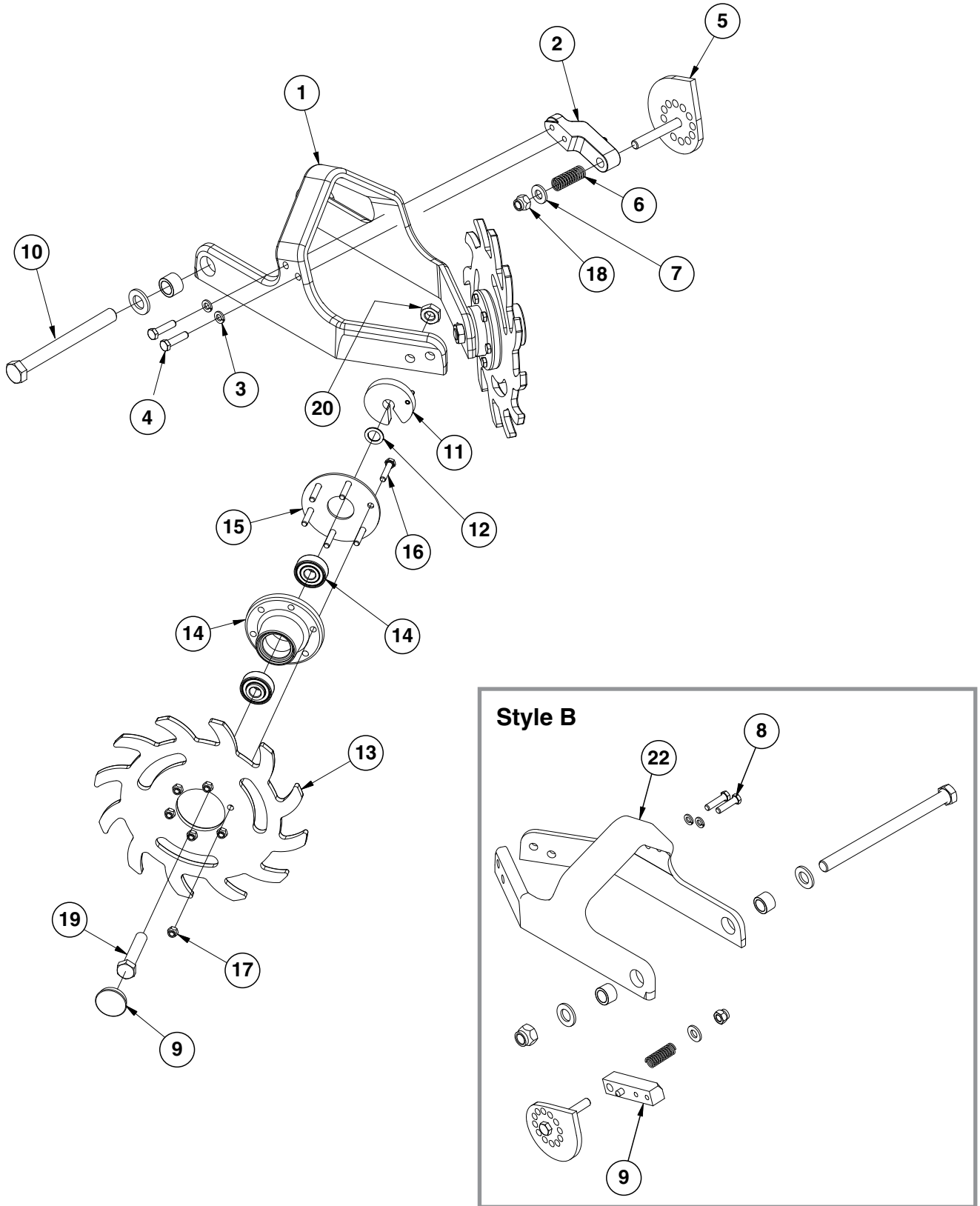
STYLE A - Used With Style A Row Unit Mounted No Till Coulter



ITEM	PART NO.	QTY. (Per Row)	DESCRIPTION
1	GD1132	2	Dust Cap
2	G10010	2	Hex Head Cap Screw, 5/8"-11 x 3"
	G10503	2	Hex Jam Nut, 5/8"-11, Grade 2
3	GD10552	2	Wheel, 12 Tine, 3/8" x 12"
4	GA5654	2	Hub W/Bearings
	GA2014	-	Bearing
5	GA14251	1	Cam
6	GD10519	1	Spring
7	G11389	1	Flat Washer, 1/2" SAE
8	G10974	1	Lock Nut W/Nylon Insert, 1/2"-13
9	G11098	1	Hex Head Cap Screw, 1/2"-13 x 9 1/2", Grade 8
	G11389	2	Flat Washer, 1/2" SAE
	G10974	1	Lock Nut W/Nylon Insert, 1/2"-13
10	GA7271	1	Mount
11	GD10526	1	Sleeve, 7 1/2"
12	G10213	2	Machine Bushing, 5/8" (.030" Thick)
13	GA8760	2	Weed Guard W/Spring Pin
	G10765	-	Spring Pin, 1/4" x 1"
14	G10133	12	Hex Head Cap Screw, 5/16"-18 x 1 1/2"
	G10109	12	Lock Nut, 5/16"-18, Grade 8
15	GD9724	2	Backing Plate
A	GA7446	-	Wheel Assembly, 12 Tine, R.H. (Items 3, 4, 14 and 15) (Shown)
	GA7445	-	Wheel Assembly, 12 Tine, L.H. (Items 3, 4, 14 and 15)

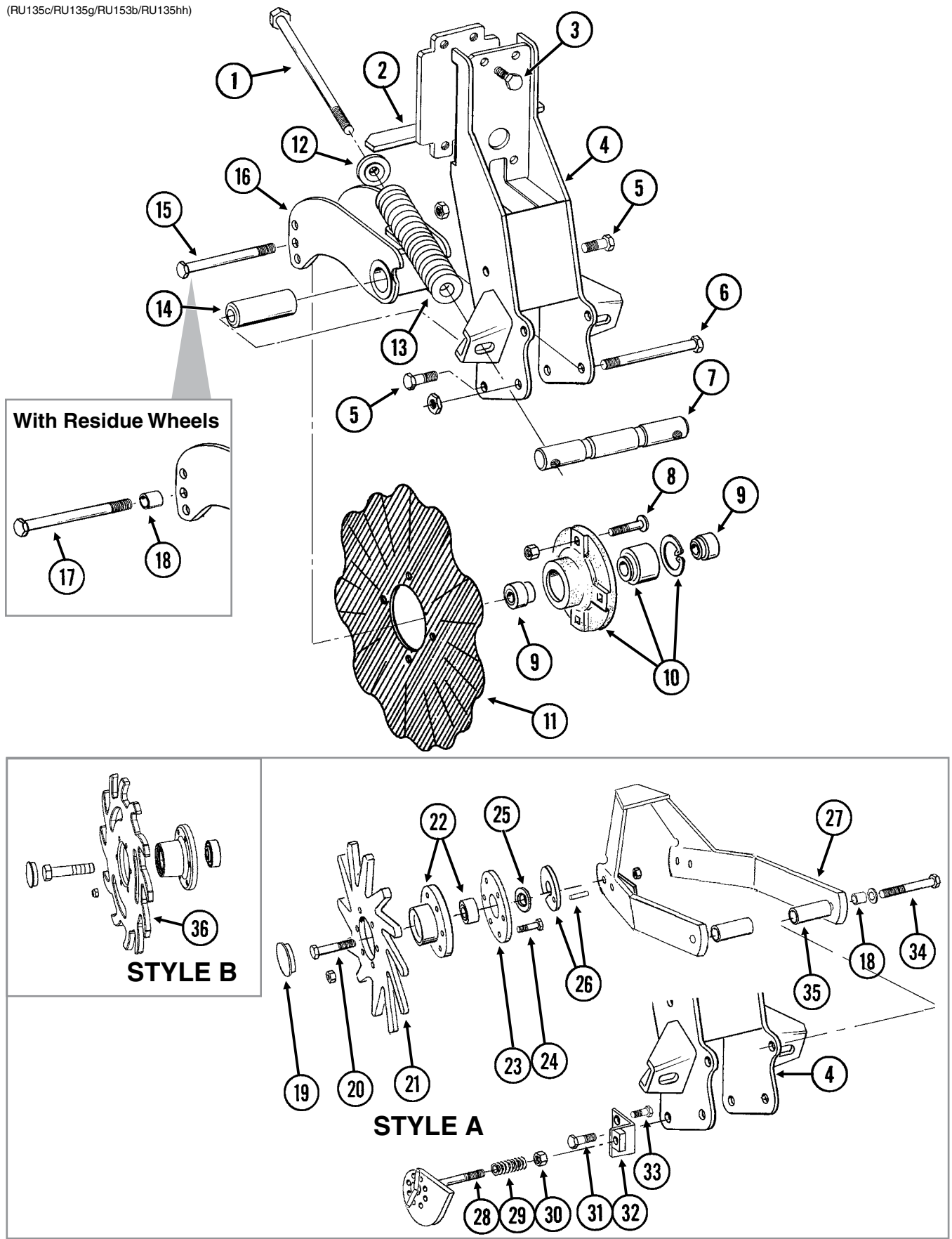
(IP1468)

STYLE B and C - Used With Style A Row Unit Mounted No Till Coulter



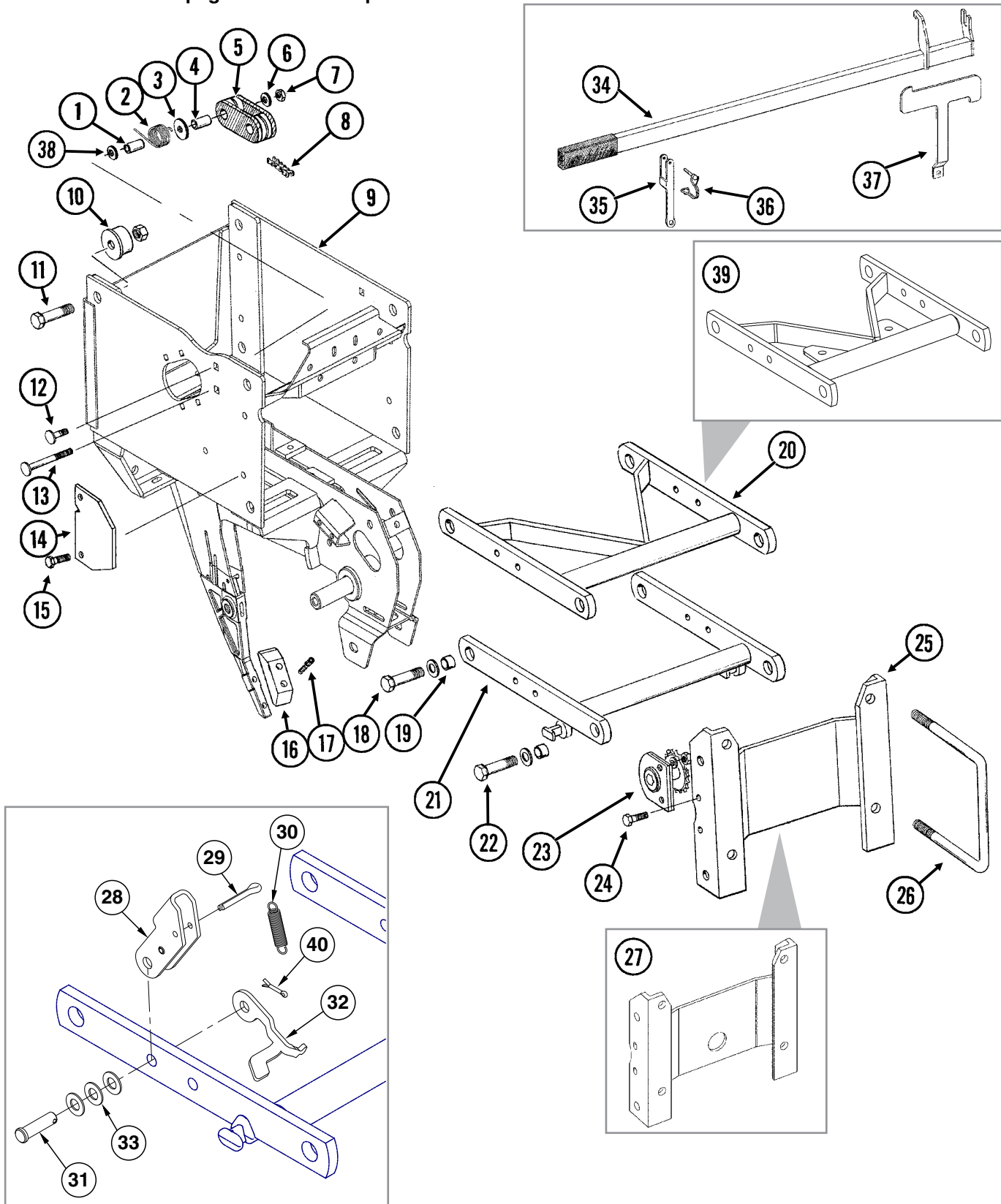
ITEM	PART NO.	QTY. (Per Row)	DESCRIPTION
1	GB0464	1	Residue Wheel Mount
2	GD26973	1	Cam Locking Pin
3	G10229	2	Lock Washer, 3/8"
4	G10004	2	Hex Head Cap Screw, 3/8"-16 x 1 1/4"
5	GA14251	1	Cam
6	GD10519	1	Spring
7	G11389	1	Flat Washer, 1/2" Plated SAE
8	G10003	2	Hex Head Cap Screw, 3/8"-16 x 1 1/2"
	G10229	2	Lock Washer, 3/8"
9	GA14250	1	Locking Pin
10	G11236	1	Hex Head Cap Screw, 3/4"-10 x 10 1/2"
	G11392	2	Flat Washer, 3/4" SAE
	GB0383	2	Bushing, 1 1/8" O.D. x 29/32" I.D. x 3/4" Long
	G11228	1	Lock Nut, 3/4"-10
11	GA8760	2	Weed Guard W/Spring Pin
	G10765	-	Spring Pin, 1/4" x 1"
12	GD30725	4	Machine Bushing, 5/8" (.030" Thick)
13	GB0387	2	Wheel, 12 Tine, 3/8" x 12"
14	GA5654	2	Hub W/Bearings
	GA2014	-	Bearing
15	GD9724	2	Backing Plate
16	G10133	12	Hex Head Cap Screw, 5/16"-18 x 1 1/2"
17	G10109	12	Lock Nut, 5/16"-18, Grade 8
18	G10974	1	Lock Nut W/Nylon Insert, 1/2"-13
19	G10010	2	Hex Head Cap Screw, 5/8"-11 x 3"
20	G10503	2	Hex Jam Nut, 5/8"-11, Grade 2
21	GD1132	2	Dust Cap
22	GB0464	1	Residue Wheel Mount
A	GA12235	-	L.H. Residue Wheel (Items 13-17)
B	GA12236	-	R.H. Residue Wheel (Items 13-17)
C	G1K531	-	Residue Wheel Mount Kit (Items 1 and 8-10)

(RU135c/RU135g/RU153b/RU135hh)



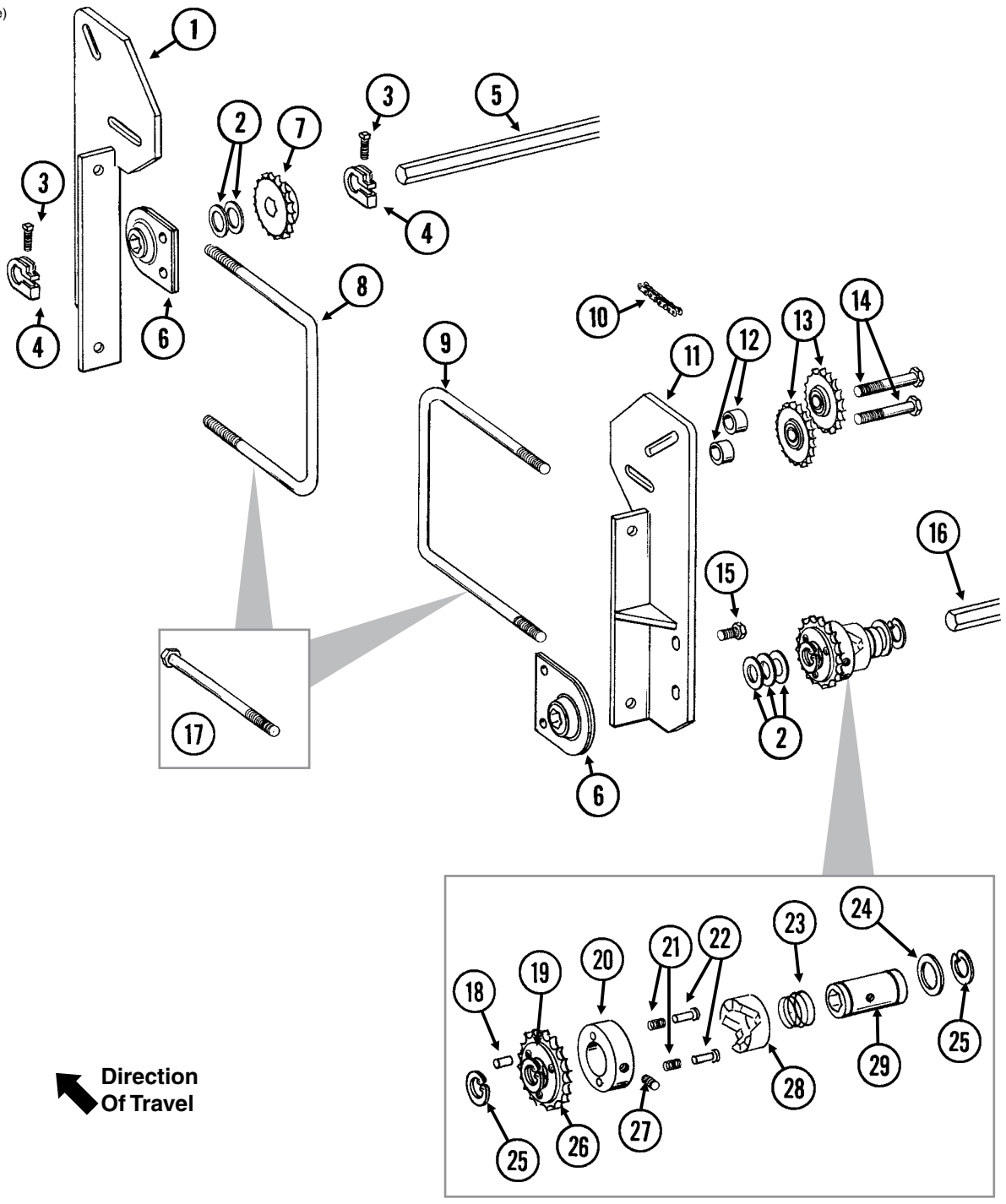
ITEM	PART NO.	QTY. (Per Row)	DESCRIPTION
1	G11010	2	Hex Head Cap Screw, 3/4"-10 x 12"
2	GA9844	1	Plate W/Angle
3	G10039	4	Hex Head Cap Screw, 1/2"-13 x 1 3/4"
4	GA9131	1	Coulter Frame
5	G10007	4	Hex Head Cap Screw, 5/8"-11 x 1 1/2"
	G10107	4	Lock Nut, 5/8"-11
6	G10400	1	Hex Head Cap Screw, 3/4"-10 x 6 1/2"
	G10112	1	Lock Nut, 3/4"-10
7	GD12826	1	Spring Anchor Bar
8	G10574	4	Carriage Bolt, 1/2"-13 x 1 1/4"
	G10111	4	Lock Nut, 1/2"-13
9	GD12827	2	Adapter
10	GA8641	1	Hub W/Bearing and Retaining Ring
	GA8603	1	Bearing, Double Row
	GD11652	1	Retaining Ring, 27/16"
11	GD7803	1	Disc Blade, Fluted, 1", 8 Flutes (Shown)
	GD7804	-	Disc Blade, Bubbled, 1"
	GD9254	-	Disc Blade, Fluted, 3/4", 13 Flutes
12	GB0213	2	Spring Seat
13	GD12817	2	Compression Spring
14	GD12829	1	Sleeve
15	G10046	1	Hex Head Cap Screw, 5/8"-11 x 5"
	G10107	1	Lock Nut, 5/8"-11
16	GA9845	1	Coulter Arm W/Grease Fitting
	G10643	-	Grease Fitting, 45°, 1/4"-28
17	G10011	1	Hex Head Cap Screw, 5/8"-11 x 5 1/2"
	G10107	1	Lock Nut, 5/8"-11
18	GB0218	3	Bushing, 2 1/32" I.D. x 7/8" O.D. x 1 9/32" Long
19	GD1132	2	Dust Cap
20	G10010	2	Hex Head Cap Screw, 5/8"-11 x 3"
	G10503	2	Hex Jam Nut, 5/8"-11, Grade 2
21	GD10552	2	Wheel, 12 Tine, 3/8" x 12"
22	GA5654	2	Hub W/Bearings
	GA2014	-	Bearing
23	GD9724	2	Backing Plate
24	G10133	12	Hex Head Cap Screw, 5/16"-18 x 1 1/2"
	G10109	12	Lock Nut, 5/16"-18, Grade 8
25	G10213	2	Machine Bushing, 5/8" (.030" Thick)
26	GA9862	2	Weed Guard W/Spring Pin
	G10765	-	Spring Pin, 1/4" x 1"
27	GA9865	1	Mount
28	GA9861	1	Cam
29	GD10519	1	Spring
30	G10974	1	Lock Nut W/Nylon Insert, 1/2"-13
31	G10005	1	Hex Head Cap Screw, 5/8"-11 x 1 3/4"
	G10107	4	Lock Nut, 5/8"-11
32	GA15312	1	Cam Support
33	G10014	1	Hex Head Cap Screw, 1/2"-13 x 1"
	G10102	1	Hex Nut, 1/2"-13
34	G10011	2	Hex Head Cap Screw, 5/8"-11 x 5 1/2"
	G11391	2	Flat Washer, 5/8" SAE
	G10730	2	Lock Nut W/Nylon Insert, 5/8"-11
35	GD14170	2	Sleeve, 3"
36	GB0387	2	Wheel, 12 Tine, 3/8" x 12"
A	GA7446	-	Wheel Assembly, 12 Tine, R.H. (Items 21-24) (Shown)
	GA7445	-	Wheel Assembly, 12 Tine, L.H. (Items 21-24)
B	GA12236	-	Wheel Assembly, 12 Tine, R.H. (Items 22, 23, 24 and 36) (Shown)
	GA12235	-	Wheel Assembly, 12 Tine, L.H. (Items 22, 23, 24 and 36)

NOTE: Push row units use the same seed tube, row unit depth adjustment components, quick adjustable down force springs, 15" opener disc blades, gauge wheels, closing wheels, meter drive and seed hopper as the pull row unit. See those pages for common parts.

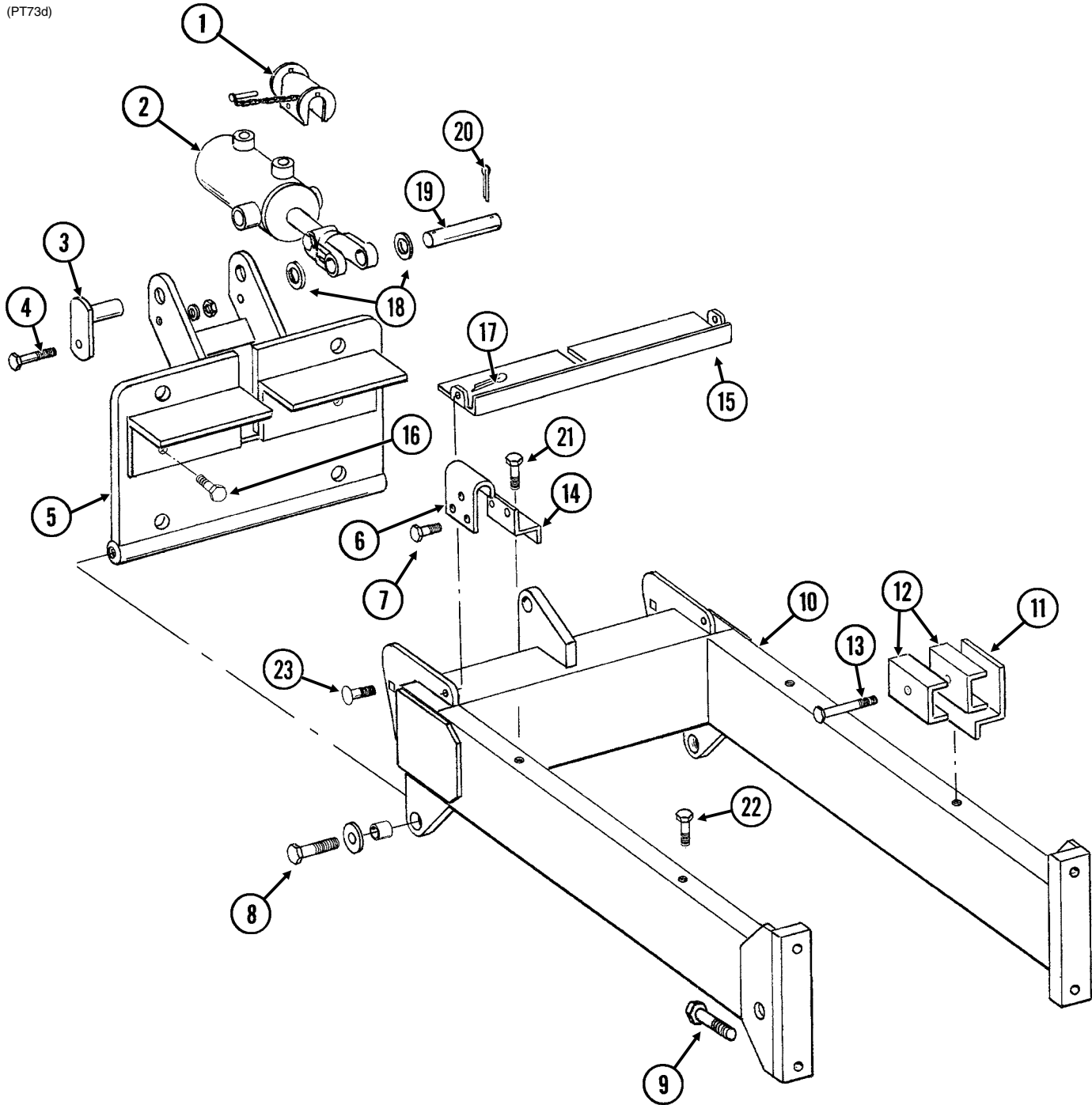


ITEM	PART NO.	QTY. (Per Row)	DESCRIPTION
1	GD1026	1	Sleeve, 1 $\frac{3}{16}$ " Long
2	GD11218	1	Spring
3	G10201	1	Special Washer, $\frac{3}{8}$ " x 1 $\frac{1}{2}$ " O.D.
4	GD8893-01	1	Sleeve, 1 $\frac{3}{8}$ " Long
5	GB0968	1	Idler
6	G11387	1	Flat Washer, $\frac{3}{8}$ " SAE
7	G10108	1	Lock Nut, $\frac{3}{8}$ "-16
8	G3303-96	1	Chain, No. 41, 96 Pitch Including Connector Link
	GR0196	1	Connector Link, No. 41
9	GA10161	-	Push Row Unit Shank
10	GB0314	2	Hopper Mount
11	G10751	2	Hex Head Cap Screw, $\frac{5}{8}$ "-18 x 1 $\frac{3}{4}$ "
	G11514	2	Lock Nut, $\frac{5}{8}$ "-18
12	G10599	1	Carriage Bolt, $\frac{3}{8}$ "-16 x 1 $\frac{1}{4}$ "
	G10101	1	Hex Nut, $\frac{3}{8}$ "-16
	G10108	1	Lock Nut, $\frac{3}{8}$ "-16
13	G10307	1	Carriage Bolt, $\frac{3}{8}$ "-16 x 3 $\frac{1}{2}$ "
14	GD10867	2	Stop
15	G10004	4	Hex Head Cap Screw, $\frac{3}{8}$ "-16 x 1 $\frac{1}{4}$ "
	G10108	4	Lock Nut, $\frac{3}{8}$ "-16
16	GB0301	1	Seed Tube Guard/Inner Scraper
17	G10912	2	Hex Socket Head Cap Screw, $\frac{5}{16}$ "-18 x 1", Grade 8
18	G10751	4	Hex Head Cap Screw, $\frac{5}{8}$ "-18 x 1 $\frac{3}{4}$ "
	G11391	4	Flat Washer, $\frac{5}{8}$ " SAE
	G11514	4	Lock Nut, $\frac{5}{8}$ "-18
19	GB0218	8	Bushing, $2\frac{1}{32}$ " I.D. x $\frac{7}{8}$ " O.D. x $1\frac{9}{32}$ " Long
20	GA8930	-	Upper Arm
21	GA5787	1	Lower Arm
22	G10732	4	Hex Head Cap Screw, $\frac{5}{8}$ "-18 x 2"
	G11391	4	Flat Washer, $\frac{5}{8}$ " SAE
	G11514	4	Lock Nut, $\frac{5}{8}$ "-18
23	GA1720	1	Bearing/Sprocket, $\frac{7}{8}$ " Hex Bore
24	G10004	2	Hex Head Cap Screw, $\frac{3}{8}$ "-16 x 1 $\frac{1}{4}$ "
	G11091	2	Serrated Flange Nut, $\frac{3}{8}$ "-16
25	GA5786	1	Mounting Plate
26	GD1114	2	U-Bolt, 7" x 7" x $\frac{5}{8}$ "-11
	GD1113	-	U-Bolt, 5" x 7" x $\frac{5}{8}$ "-11
	G10230	4	Lock Washer, $\frac{5}{8}$ "
	G10104	4	Hex Nut, $\frac{5}{8}$ "-11
27	GA11971	-	Mounting Plate
28	GD11264	1	Lockup
	G10718	1	Spring Pin, $\frac{5}{16}$ " x 1 $\frac{1}{8}$ "
29	G10463	1	Cotter Pin, $\frac{1}{4}$ " x 1 $\frac{1}{2}$ "
30	GD25569	1	Spring
31	G10284	1	Clevis Pin, $\frac{1}{2}$ " x 1 $\frac{1}{2}$ "
32	GD25568	1	Spring Mount Tab, L.H.
	GD29459	1	Spring Mount Tab, R.H.
33	G10216	3	Washer, $\frac{1}{2}$ " USS
34	G10451	1	Cotter Pin, $\frac{1}{8}$ " x 1"
35	GD18073	1	Bracket (Lift Lever)
36	GD9695	1	Wire Lock Pin, $\frac{1}{4}$ " x 1 $\frac{3}{4}$ "
37	GD18074	1	Mount
38	G11387	1	Flat Washer, $\frac{3}{8}$ " SAE
39	GA11969	-	Upper Arm
A	G1K534	-	Push Unit Lock-Up Kit, Items 28-34 (includes GD11648 - Push Unit Stop)
B	G1K535	-	Push Unit Spring Lock-Up Kit, Items 28-34

PTD093(PT75e)

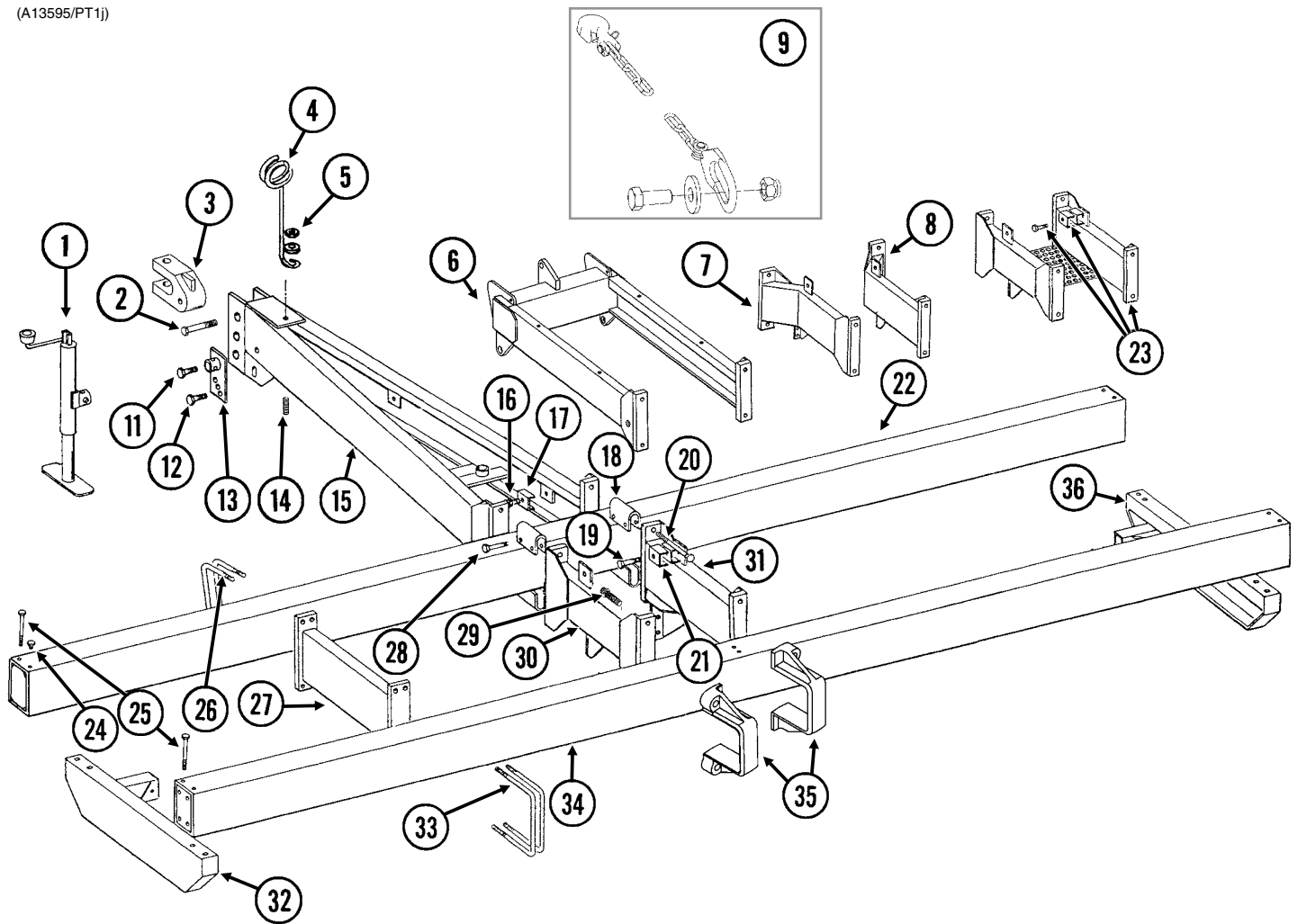


ITEM	PART NO.	QTY.	DESCRIPTION
1	GA8717	1	Front Mount
2	G10233	5	Machine Bushing, 1", 10 Gauge
3	G10130	2	Square Head Machine Bolt, 5/16"-18 x 1 3/4"
	G10923	2	Flange Nut, 5/16"-18, No Serration
4	GD11045	2	Lock Clamp
5	GD0914-84	1	Hex Shaft, 7/8" x 84" (No Holes), 4 Row 30"
	GD0914-105	-	Hex Shaft, 7/8" x 105" (No Holes), 4 Row 36"/38"
	GD0914-144	-	Hex Shaft, 7/8" x 144" (No Holes), 6 Row 30"
	GD0914-180	-	Hex Shaft, 7/8" x 180" (No Holes), 6 Row 36"/38"
	GD0914-205	-	Hex Shaft, 7/8" x 205" (No Holes), 8 Row 30"
6	GA2180	2	Hanger Bearing, 7/8" Hex Bore
7	GA5107	1	Sprocket, 19 Tooth
8	GD11721	1	U-Bolt, 5" x 7" x 1/2"-13 (Double Frame Planters)
	G10228	2	Lock Washer, 1/2"
	G10102	2	Hex Nut, 1/2"-13
9	GD7145	1	U-Bolt, 7" x 7" x 1/2"-13 (Double Frame Planters)
	G10228	2	Lock Washer, 1/2"
	G10102	2	Hex Nut, 1/2"-13
10	G3310-138	1	Chain, No. 40, 138 Pitch Including Connector Link (Single Frame Planters)
	G3310-252	-	Chain, No. 40, 252 Pitch Including Connector Link (Double Frame Planters)
	GR0912	-	Connector Link, No. 40
11	GA8716	1	Rear Mount
12	GD9229	4	Spacer, 1/4" O.D. x 1/2" Long
13	GA7154	4	Sprocket W/Bearing, 18 Tooth
14	G10581	4	Hex Head Cap Screw, 1/2"-13 x 2 1/4"
	G10168	4	Machine Bushing, 1/2", 7 Gauge
	G10228	4	Lock Washer, 1/2"
	G10102	4	Hex Nut, 1/2"-13
15	G10001	-	Hex Head Cap Screw, 3/8"-16 x 1"
	G10229	-	Lock Washer, 3/8"
	G10101	-	Hex Nut, 3/8"-16
16	---	-	See "Driveline. 4 Row 30"/36"/38"" on page P55 See "Driveline. 6 Row 30"/36"/38" and 8 Row 30"" on page P56
17	G10909	2	Hex Head Cap Screw, 1/2"-13 x 9" (Single Frame Planters)
	G10228	2	Lock Washer, 1/2"
	G10102	2	Hex Nut, 1/2"-13
18	G10968	1	Spring Pin, 5/32" x 7/16"
19	GR1406	1	Bushing
20	GR1405	1	Lock Collar
21	GR1413	2	Spring
22	GR1410	2	Pin
23	GR1408	1	Compression Spring
24	GR1411	1	Shim
25	G10496	2	External Inverted Snap Ring, 1 1/2"
26	GR1412	1	Sprocket, 19 Tooth
27	G10535	1	Hex Socket Set Screw, 3/8"-16 x 3/4"
28	GR1409	1	Knurled Collar
29	GR1407	1	Drive Shaft
A	GA8092	-	Clutch Sprocket Assembly, 19 Tooth (Items 18-29)
B	G1K269	-	Lock Clamp Kit (Items 3 and 4)
C	G1K331	-	Clutch Sprocket Kit (Items 18, 19 and 26)



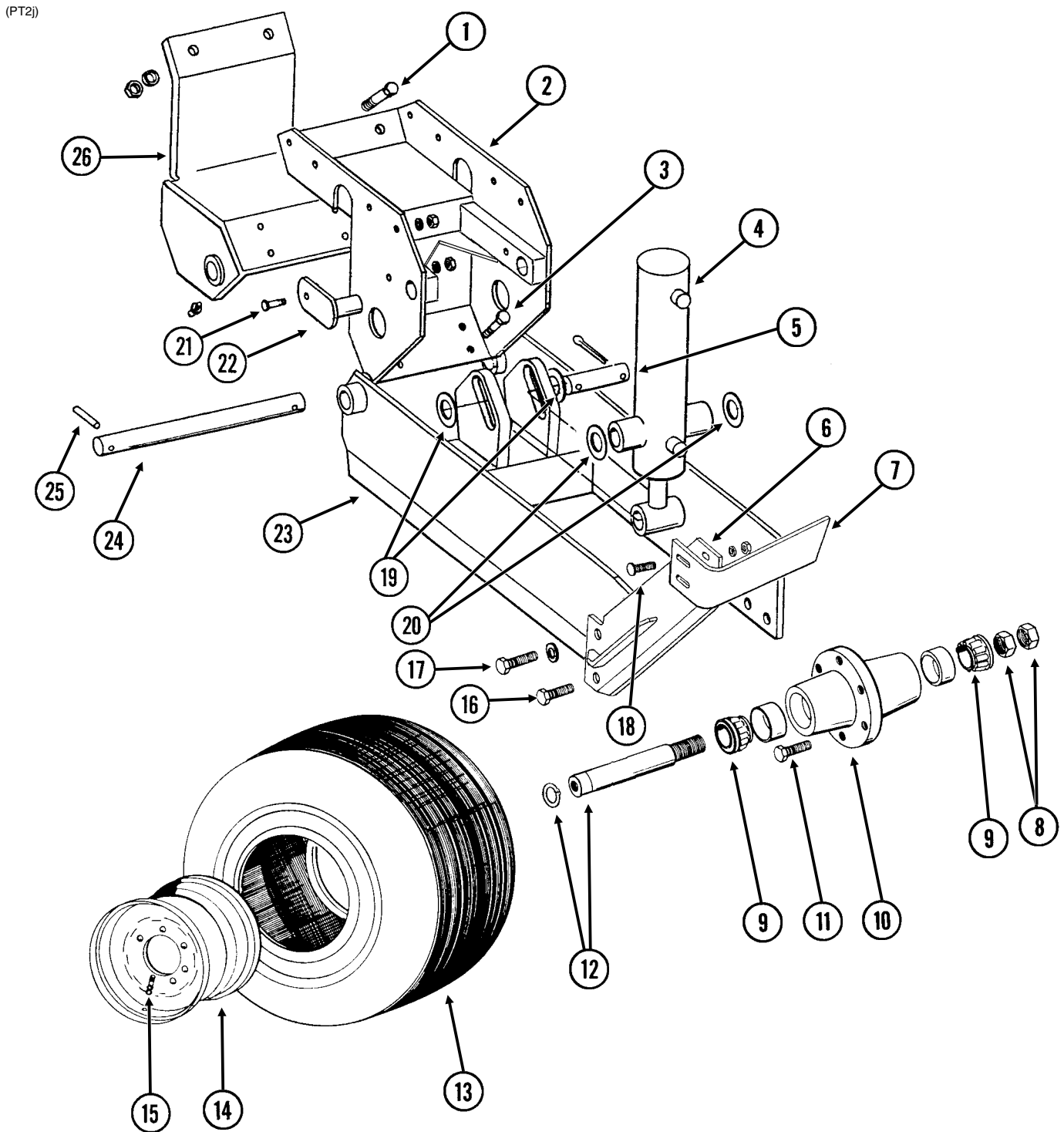
ITEM	PART NO.	QTY.	DESCRIPTION
1	GA9872	1	Lockup W/Pin
2	---	-	See "Interplant Lift Cylinder" on page P70
3	GA6761	2	Pin
4	G10581	2	Hex Head Cap Screw, 1/2"-13 x 2 1/4"
	G11389	2	Flat Washer, 1/2" SAE
	G10111	2	Lock Nut, 1/2"-13
5	GA8487	1	Hinge
6	GD7944	1	Mount
7	G10001	2	Hex Head Cap Screw, 3/8"-16 x 1"
	G10229	2	Lock Washer, 3/8"
	G10101	2	Hex Nut, 3/8"-16
8	G10645	2	Hex Head Cap Screw, 1"-8 x 3", Grade 8
	G11394	2	Flat Washer, 1" SAE
	GD11535	2	Bushing, 1 1/2" O.D.
9	---	-	See "Hitch and Frame Assembly/Safety Chain" on page P47
10	GA8488	1	Hitch Extension W/Grease Fittings, 4 Row 30", 6 Row 30" and 8 Row 30"
	GA8656	-	Hitch Extension W/Grease Fittings, 4 Row 36"/38" and 6 Row 36"/38"
	G10640	-	Grease Fitting, 1/4"-28
11	GD11657	2	Mount
12	GD6027	4	Hose Clamp, 3/4" x 2 1/2" x 2 1/2"
13	G10325	2	Hex Head Cap Screw, 3/8"-16 x 2 3/4"
	G10108	2	Lock Nut, 3/8"-16
14	GD11662	1	Mounting Bracket
15	GA8676	1	Shield
16	G10428	2	Hex Head Cap Screw, 5/8"-11 x 3/4"
17	G10451	2	Cotter Pin, 1/8" x 1"
18	G11396	2	Flat Washer, 1 1/4" SAE
19	GD11559	1	Pin, 1 1/4" x 4 7/8"
20	G10460	2	Cotter Pin, 1/4" x 2"
21	G10001	3	Hex Head Cap Screw, 3/8"-16 x 1"
	G10229	3	Lock Washer, 3/8"
	G11387	3	Flat Washer, 3/8" SAE
22	G10001	1	Hex Head Cap Screw, 3/8"-16 x 1"
23	G10574	2	Carriage Bolt, 1/2"-13 x 1 1/4"
	G11389	2	Flat Washer, 1/2" SAE
	G10111	2	Lock Nut, 1/2"-13

(A13595/PT1j)



ITEM	PART NO.	QTY.	DESCRIPTION
1	G4100-02	1	Jack Assembly
	GR0255	-	Repair Kit (Chain and Pin)
2	G10169	1	Hex Head Cap Screw, 1 1/4"-7 x 6"
	G10157	1	Lock Nut, 1 1/4"-7
3	GB0156	1	Clevis
4	GD7140	1	Hose Holder
5	G10348	1	Hex Head Cap Screw, 1/2"-13 x 5"
	G11389	1	Flat Washer, 1/2" SAE
	G10228	1	Lock Washer, 1/2"
	G10102	1	Hex Nut, 1/2"-13
6	---	-	See "Interplant Self-Leveling Hitch Extension" on page P45
7	GA9429	-	Center Extension, L.H., Offset, 24"
8	GA9428	-	Center Extension, R.H., Offset, 24"
9	G9566X	1	3/8" Transport Safety Chain Package, Includes: (1) 3/8" Safety Chain W/Hook, (1) Hex Head Cap Screw, (1) Lock Nut, (1) Washer, (1) Instruction Sheet
10	---	-	---
11	G10005	1	Hex Head Cap Screw, 5/8"-11 x 1 3/4"
	G10107	1	Lock Nut, 5/8"-11

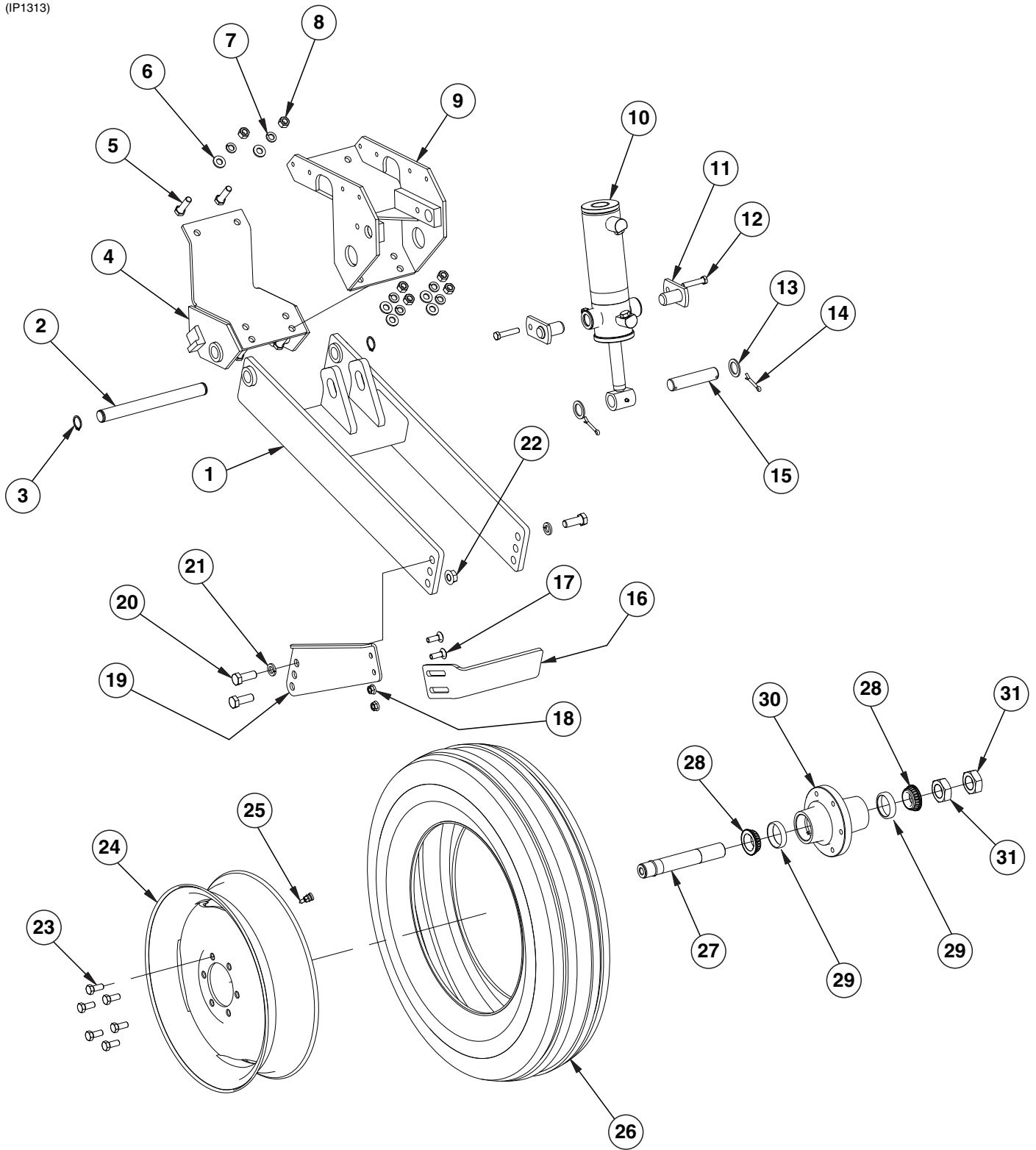
ITEM	PART NO.	QTY.	DESCRIPTION
12	G10017	1	Hex Head Cap Screw, ½"-13 x 1½"
	G11389	1	Washer, ½" SAE
	G10111	1	Lock Nut, ½"-13
13	GA7909	1	Jack Adjustment Bracket
14	GD5888	1	Spring
15	GA8670	1	Hitch
16	G10048	2	Hex Head Cap Screw, ⅜"-16 x 2"
	G10108	2	Lock Nut, ⅜"-16
17	GD5875	2	Hose Clamp
18	GA5197	-	Spacer
19	G10048	-	Hex Head Cap Screw, ⅜"-16 x 2"
	G10108	-	Lock Nut, ⅜"-16
20	G10993	4	Hex Head Cap Screw, 1"-8 x 8½", Grade 8
	G10647	4	Hex Nut, 1"-8, Grade 8
21	GD6027	-	Hose Clamp, ¾" x 2 ½" x 2½"
22	A8011	1	Double Frame Toolbar, 7" x 5" x 120", 4 Row 30" (Non-Stock Item)
	A8012	-	Double Frame Toolbar, 7" x 5" x 144", 4 Row 36"/38" (Non-Stock Item)
	A8013	-	Double Frame Toolbar, 7" x 5" x 180", 6 Row 30" (Non-Stock Item)
	A8014	-	Double Frame Toolbar, 7" x 5" x 220", 6 Row 36"/38" (Non-Stock Item)
	A8015	-	Double Frame Toolbar, 7" x 5" x 240", 8 Row 30" (Non-Stock Item)
23	GA9007	-	Hitch Extension W/Hose Clamps and Hardware
	GD6027	-	Hose Clamp, ¾" x 2 ½" x 2½"
	G10048	-	Hex Head Cap Screw, ⅜"-16 x 2"
	G10108	-	Lock Nut, ⅜"-16
24	G10903	-	Cap Plug
25	G10895	8	Hex Head Cap Screw, ¾"-10 x 8½"
	G10112	8	Lock Nut, ¾"-10
26	GD1113	-	U-Bolt, 5" x 7" x ⅝"-11
	G10230	-	Lock Washer, ⅝"
	G10104	-	Hex Nut, ⅝"-11
27	GA4265	-	Straight Extension
28	G10061	4	Hex Head Cap Screw, ⅜"-16 x 3½"
	G11387	4	Flat Washer, ⅜" SAE
	G10108	4	Lock Nut, ⅜"-16
29	G11085	4	Flanged Cap Screw, 12 Point, 1"-14 x 3"
30	GA9427	-	Hitch/Center Extension, L.H., Straight, 24"
31	GA9426	-	Hitch/Center Extension, R.H., Straight, 24"
32	GA9439	-	End Extension, L.H.
33	GD1114	-	U-Bolt, 7" x 7" x ⅝"-11
	G10230	-	Lock Washer, ⅝"
	G10104	-	Hex Nut, ⅝"-11
34	A8016	1	Toolbar, 7" x 7" x 120", 4 Row 30" (Non-Stock Item)
	A8017	-	Toolbar, 7" x 7" x 144", 4 Row 36"/38" (Non-Stock Item)
	A8018	-	Toolbar, 7" x 7" x 180", 6 Row 30" (Non-Stock Item)
	A8019	-	Toolbar, 7" x 7" x 220", 6 Row 36"/38" (Non-Stock Item)
	A8020	-	Toolbar, 7" x 7" x 240", 8 Row 30" (Non-Stock Item)
35	GD29221	2	Hitch Clamp
36	GA9438	-	End Extension, R.H.



ITEM	PART NO.	QTY. (Per Assy.)	DESCRIPTION
1	G10009	2	Hex Head Cap Screw, 5/8"-11 x 2 1/2"
	G10230	2	Lock Washer, 5/8"
	G10104	2	Hex Nut, 5/8"-11
2	GA5122	1	Wheel Tower Clamp
3	G10008	4	Hex Head Cap Screw, 5/8"-11 x 2"
	G11391	4	Flat Washer, 5/8" SAE
	G10230	4	Lock Washer, 5/8"
	G10104	4	Hex Nut, 5/8"-11
4	---	-	See "Master Lift Cylinder" on page P68 See "Transport and Ground Drive Wheel Assembly (2012 Production and on)" on page P51 See "Lift Assist Cylinder, 6 Row 30"/36"/38" and 8 Row 30"" on page P70
5	GD5841	1	Pin, 1 1/4" x 5 5/8"
	G10460	2	Cotter Pin, 1/4" x 2"
6	GA7376	1	Scraper Mount
7	GD12543	1	Scraper
8	G11081	2	Hex Jam Nut, 1 1/2"-12, Grade 2
9	GA0895	2	Bearing
10	GA2148	1	Hub W/Cups, 6 Bolt
	GR0434	-	Cup
11	GR0270	6	Lug Bolt, 9/16"-18
12	GA2558	1	Spindle W/Round External Retaining Ring, 9 1/2"
	GD11490	-	Round External Retaining Ring
13	GD13401	-	Tire, 7.50" x 20", 8 Ply, Tubeless W/O Center Rib (Specify Brand*)
14	GA14413	1	Rim, 5.50" x 20"
15	GA7434	1	Valve Stem
16	G10026	2	Hex Head Cap Screw, 3/4"-10 x 1 1/2"
	G10231	2	Lock Washer, 3/4"
	G10105	2	Hex Nut, 3/4"-10
17	G10026	2	Hex Head Cap Screw, 3/4"-10 x 2"
	G10231	2	Lock Washer, 3/4"
	G10105	2	Hex Nut, 3/4"-10
18	G10636	4	Carriage Bolt, 1/2"-13 x 1 1/2"
	G10071	4	Serrated Flange Nut, 1/2"-13
19	G11396	2	Flat Washer, 1 1/4"
20	G10159	-	Washer, 1 7/8"
21	G10581	2	Hex Head Cap Screw, 1/2"-13 x 2 1/4"
	G10111	2	Lock Nut, 1/2"-13
22	GA5121	2	Pin, 2 1/8"
23	GA8839	1	Arm
24	GD11695	1	Pin, 1 1/4" x 13 1/4"
25	G10610	2	Spring Pin, 3/8" x 2"
26	GA9877	1	Clamp W/Grease Fittings
	G10640	2	Grease Fitting, 1/4"-28
A	GA2147	-	Hub and Spindle Assembly (Items 8-10 and 12)
B	GA7409	-	Scraper Assembly (Items 6, 7, 16 and 18)
C	GA14412	-	Tire and Rim Assembly (Items 13-15)

* Specific brand requests will be supplied only as available from current KINZE® Repair Parts stock. If a specific brand requested is not in stock, the brand available will be supplied.

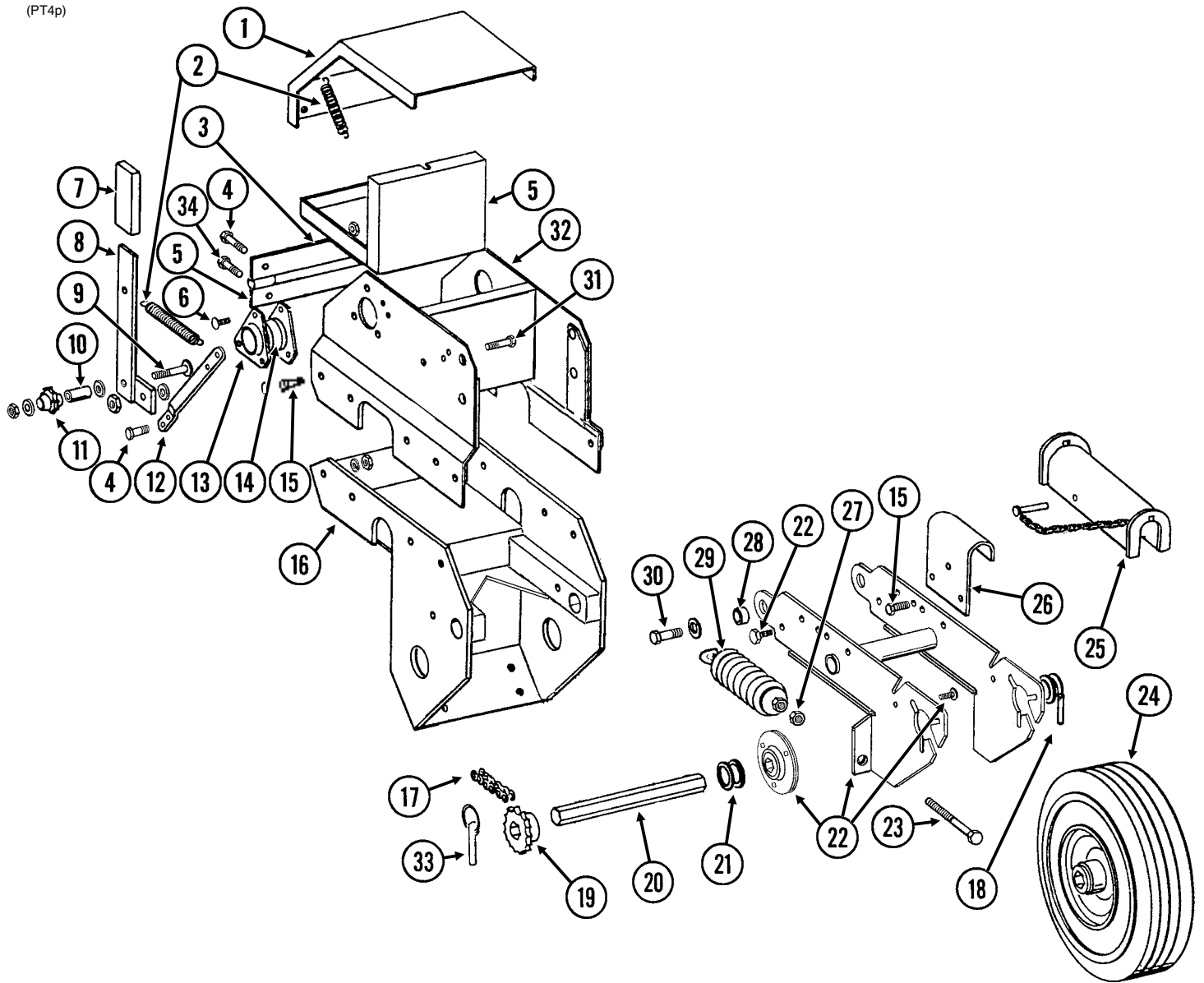
(IP1313)



ITEM	PART NO.	QTY. (Per Assy.)	DESCRIPTION
1	GA14349	1	Wheel Module
2	GD20461	1	Pin, 1¼" x 13"
3	G11400	2	Retaining Ring, 1¼"
4	GA14348	1	Lower Half Clamp
5	G10006	6	Hex Head Cap Screw, ⅝"-11 x 2¼"
6	G11391	6	Flat Washer, ⅝" SAE
7	G10230	6	Lock Washer, ⅝"
8	G10104	6	Hex Nut, ⅝"-11
9	GA5122	1	Wheel Tower Clamp
10	---	1	See "Master Lift Cylinder" on page P68 See "Transport and Ground Drive Wheel Assembly (2012 Production and on)" on page P51 See "Contact Wheel and Arm Assembly" on page P53
11	GA5121	2	Pin, 2⅛"
12	G10053	2	Hex Head Cap Screw, ½"-13 x 2 ½"
	G10111	2	Lock Nut, ½"-13
13	G10159	4	Washer, 1⅞"
14	G10460	2	Cotter Pin, ¼" x 2"
15	GD5841	1	Pin, 1¼" x 5⅝"
16	GD20458	1	Slotted Scrapper
17	G10636	2	Carriage Bolt, ½"-13 x 1½"
18	G10071	2	Serrated Flange Nut, ½"-13
19	GD20456	1	Short Scrapper Arm
20	G10026	3	Hex Head Cap Screw, ¾"-10 x 2"
21	G10231	2	Lock Washer, ¾"
22	G11314	1	Serrated Flange Nut, ¾"-10
23	GR0270	6	Lug Bolt, ⅞"-18
24	GA14413	1	Rim, 5.50" x 20"
25	GA7434	1	Valve Stem
26	GD13401	1	Tire, 7.50" x 20", 8 Ply, Tubeless W/O Center Rib (Specify Brand*)
27	GA4376	1	Spindle Assembly
	GD11490	1	Round External Retaining Ring
	GD11458	1	Spindle
28	GA0895	2	Bearing
29	GR0434	2	Cup
30	GB0160	1	Hub, 6 Bolt
31	G11081	2	Hex Jam Nut, 1½"-12, Grade 2
A	GA2148	1	Hub W/Cups, 6 Bolt (Items 29 and 30)
B	GA14412	1	Tire and Rim Assembly (Items 24-26) (Specify Brand*)

* Specific brand requests will be supplied only as available from current Kinze Repair Parts stock. If a specific brand requested is not in stock, the brand available will be supplied.

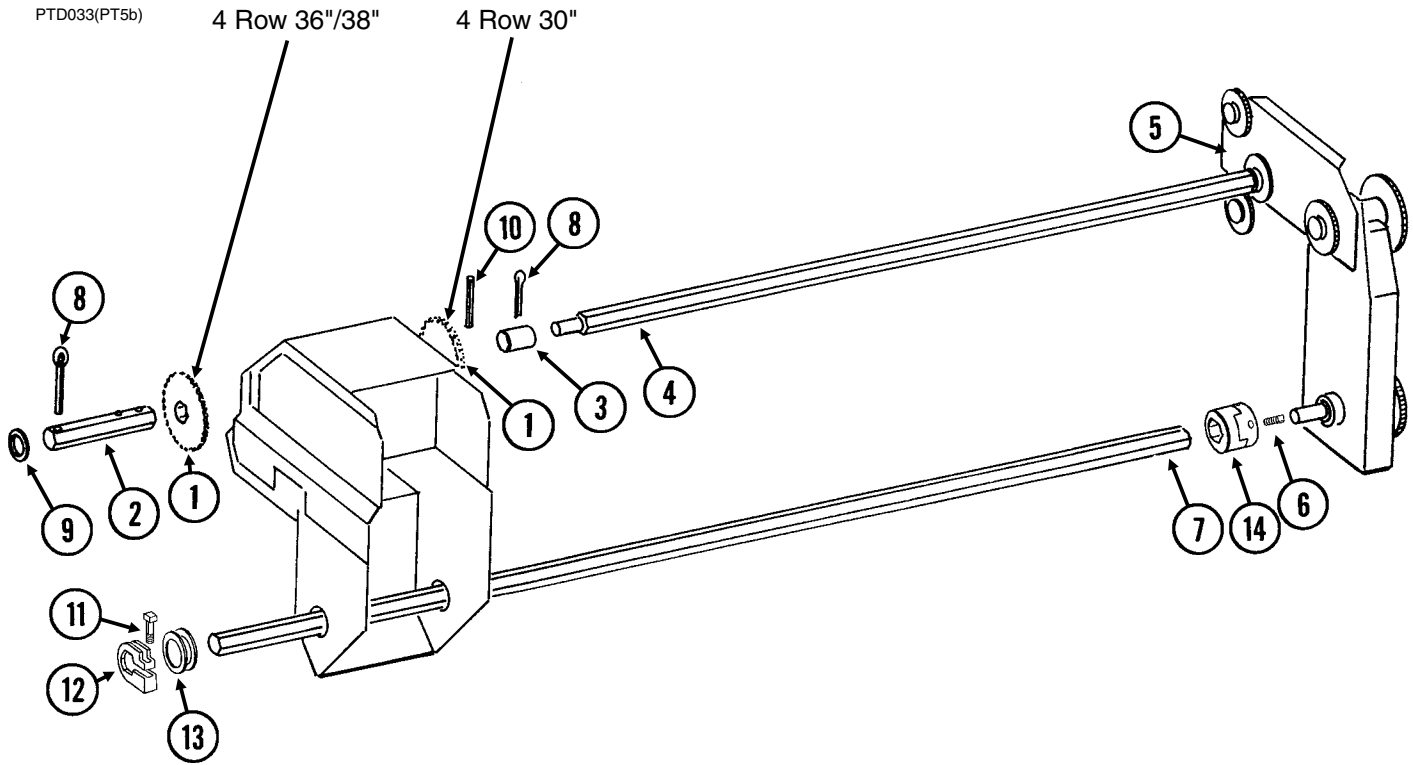
(PT4p)



ITEM	PART NO.	QTY. (Per Assy.)	DESCRIPTION
1	GA5791	1	Cover
	G10860	-	Retaining Ring, 3/8"
	G10870	-	Clevis Pin, 3/8" x 1"
2	GD5857	2	Spring
	GA13790	1	Slip Joint Assembly
3	GD5789	1	Hinge W/Pins, Female
	GD5790	1	Hinge W/Pins, Male
	G10064	4	Hex Head Cap Screw, 1/4"-20 x 1"
4	G10621	4	Serrated Flange Nut, 1/4"-20
	GA7235	1	Tool Box Insert
6	G10303	-	Carriage Bolt, 5/16"-18 x 1"
	G11386	-	Washer, 5/16" SAE (As Required)
	G10620	-	Serrated Flange Nut, 5/16"-18
	GD5827	1	Cover

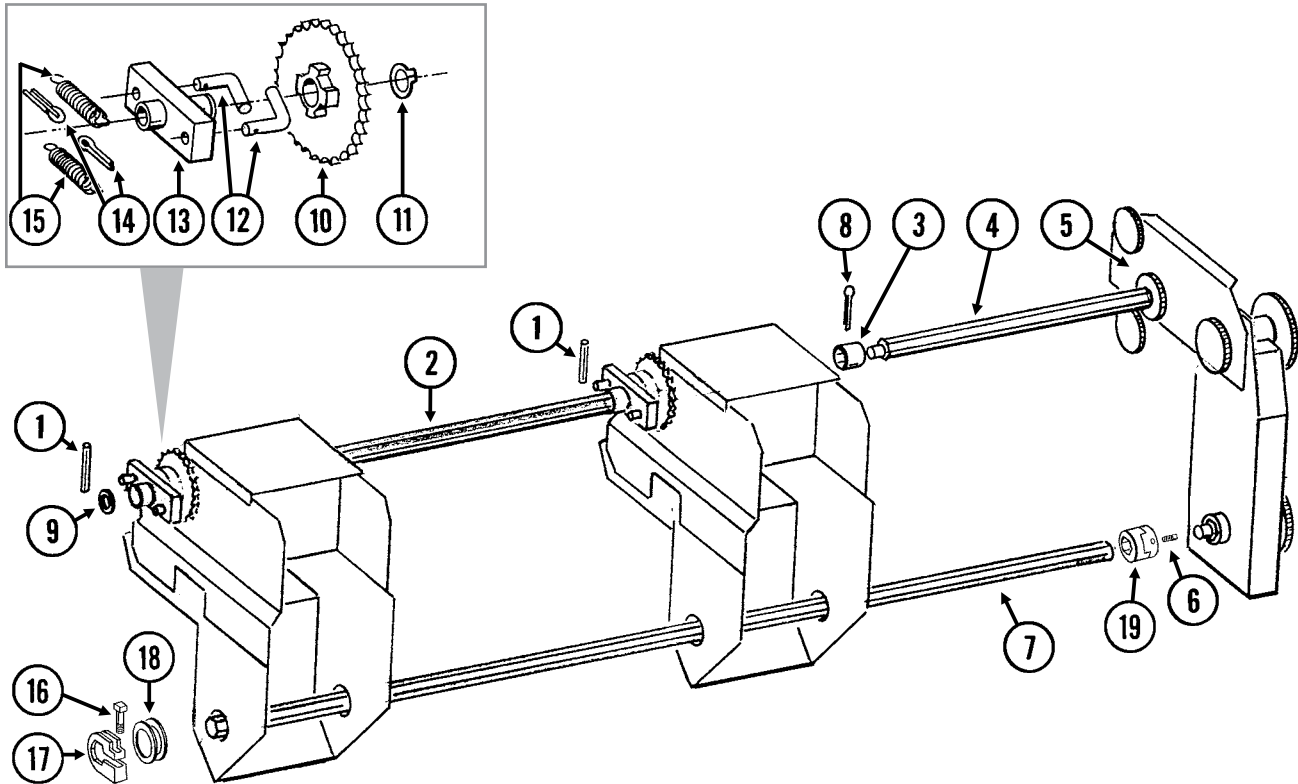
ITEM	PART NO.	QTY. (Per Assy.)	DESCRIPTION
8	GA5157	1	Idler Arm, L.H.
	GA5158	-	Idler Arm, R.H.
9	G10306	1	Carriage Bolt, 3/8"-16 x 2"
	G11387	-	Flat Washer, 3/8" SAE (As Required)
	G10108	1	Lock Nut, 3/8"-16
10	GD1026	1	Sleeve, 1 3/16" Long
11	GD7426	1	Sprocket, 12 Tooth
12	GD5860	1	Bar
13	G3400-01	-	Flangette
14	G2100-03	-	Bearing, 7/8" Hex Bore, Spherical
15	G10004	8	Hex Head Cap Screw, 3/8"-16 x 1 1/4"
	G10622	8	Serrated Flange Nut, 3/8"-16
16	---	-	See "Transport and Ground Drive Wheel Assembly (Prior to 2011 Production)" on page P49
17	G3310-132	1	Chain, No. 40, 132 Pitch Including Connector Link
	GR0912	-	Connector Link, No. 40
18	G10602	1	Spring Pin, 1/4" x 1 1/2"
19	GA5105	1	Sprocket, 15 Tooth
20	GD6825-10.375	1	Hex Shaft, 7/8" x 10 3/8" (2 Holes)
21	G10233	6	Machine Bushing, 1", 10 Gauge
22	A7370	1	Arm W/Flanged Bearings and Hardware (Non-Stock Item) (Sub G1K253)
	G10303	6	Carriage Bolt, 5/16"-18 x 1"
	G10620	6	Serrated Flange Nut, 5/16"-18
	GA9846	2	Flanged Bearing, 7/8" Hex Bore
	G10055	2	Hex Head Cap Screw, 5/8"-11 x 1 1/4" (Stop Bolt)
	G10107	2	Lock Nut, 5/8"-11
23	G10890	2	Hex Head Adjusting Bolt, 1/2"-13 x 4", Grade 2
24	GA5090	1	Tire and Rim Assembly (Specify Brand*)
	GD5753	-	Tire, 4.10" x 6" (Specify Brand*)
	GD5752	-	Inner Tube
25	GA9870	-	Lockup W/Pin
	G10874	-	Detent Pin, 1/2" x 3 1/2" Grip
26	GD7944	1	Mount
27	G10501	2	Hex Jam Nut, 1/2"-13, Grade 2
28	GB0218	2	Bushing, 2 1/32" I.D. x 7/8" O.D. x 1 9/32" Long
29	GA2068	2	Spring W/Plug
30	G10005	2	Hex Head Cap Screw, 5/8"-11 x 1 3/4"
	G10235	6	Machine Bushing, 7/8", 14 Gauge
	G11391	2	Flat Washer, 5/8" SAE
	G10107	2	Lock Nut, 5/8"-11
31	G10004	1	Hex Head Cap Screw, 3/8"-16 x 1 1/4"
	G10229	1	Lock Washer, 3/8"
	G10370	1-2	Machine Bushing, 3/8", 22 Gauge
	GD5756	1	Special Nut, 3/8"-16
32	GA5118	1	Mount
33	GD2558	1	Lynch Pin, 1/4"
34	G10064	2	Hex Head Cap Screw, 1/4"-20 x 1"
	G11385	2	Flat Washer, 1/4" SAE
	G10227	2	Lock Washer, 1/4"
	G10103	2	Hex Nut, 1/4"-20
A	G1K253	-	Contact Wheel Arm Replacement Kit, (Items 18, 20, 22, 23 and 27)

* Specific brand requests will be supplied only as available from current Kinze Repair Parts stock. If a specific brand requested is not in stock, the brand available will be supplied. Different brand tires may have different diameters. Change in tire brand may affect rates. Field checks are recommended after any change in contact tires.



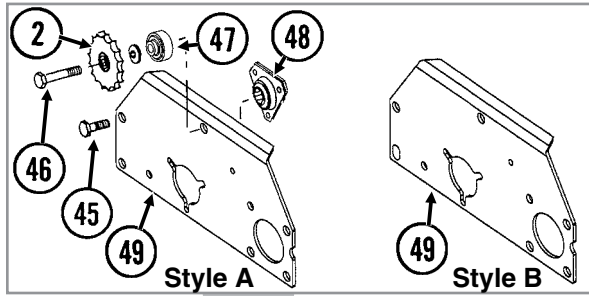
ITEM	PART NO.	QTY.	DESCRIPTION
1	GA5114	1	Sprocket, 30 Tooth
2	GD7819	1	Hex Shaft, 7/8" x 15 1/4" (3 Holes), 4 Row 30"
	GD5958	-	Hex Shaft, 7/8" x 16" (4 Holes), 4 Row 36"/38"
3	GD5961	1	Coupler, 2 1/4"
4	GD5885-02	1	Hex Shaft, 7/8" x 19" (6 Holes), 4 Row 30"
	GD5885-03	-	Hex Shaft, 7/8" x 24" (6 Holes), 4 Row 36"/38"
5	---	-	See "Seed Rate Transmission Assembly" on page P57
6	G10131	4	Square Head Set Screw, 5/16"-18 x 3/4"
7	GD0914-109	1	Hex Shaft, 7/8" x 109" (No Holes), 4 Row 30"
	GD0914-134	-	Hex Shaft, 7/8" x 134" (No Holes), 4 Row 36"/38"
8	G10460	2	Cotter Pin, 1/4" x 2"
9	G10233	-	Machine Bushing, 1", 10 Gauge (As Required)
10	G10602	1	Spring Pin, 1/4" x 1 1/2"
11	G10130	1	Square Head Machine Bolt, 5/16"-18 x 1 3/4"
	G10923	1	Flange Nut, 5/16"-18, No Serration
12	GD11045	1	Lock Clamp
13	G10233	2	Machine Bushing, 1", 10 Gauge
14	GB0287	2	Coupler
A	G1K269	-	Lock Clamp Kit (Items 11 and 12)

PTD016/PTD034(PT6/PT7c)



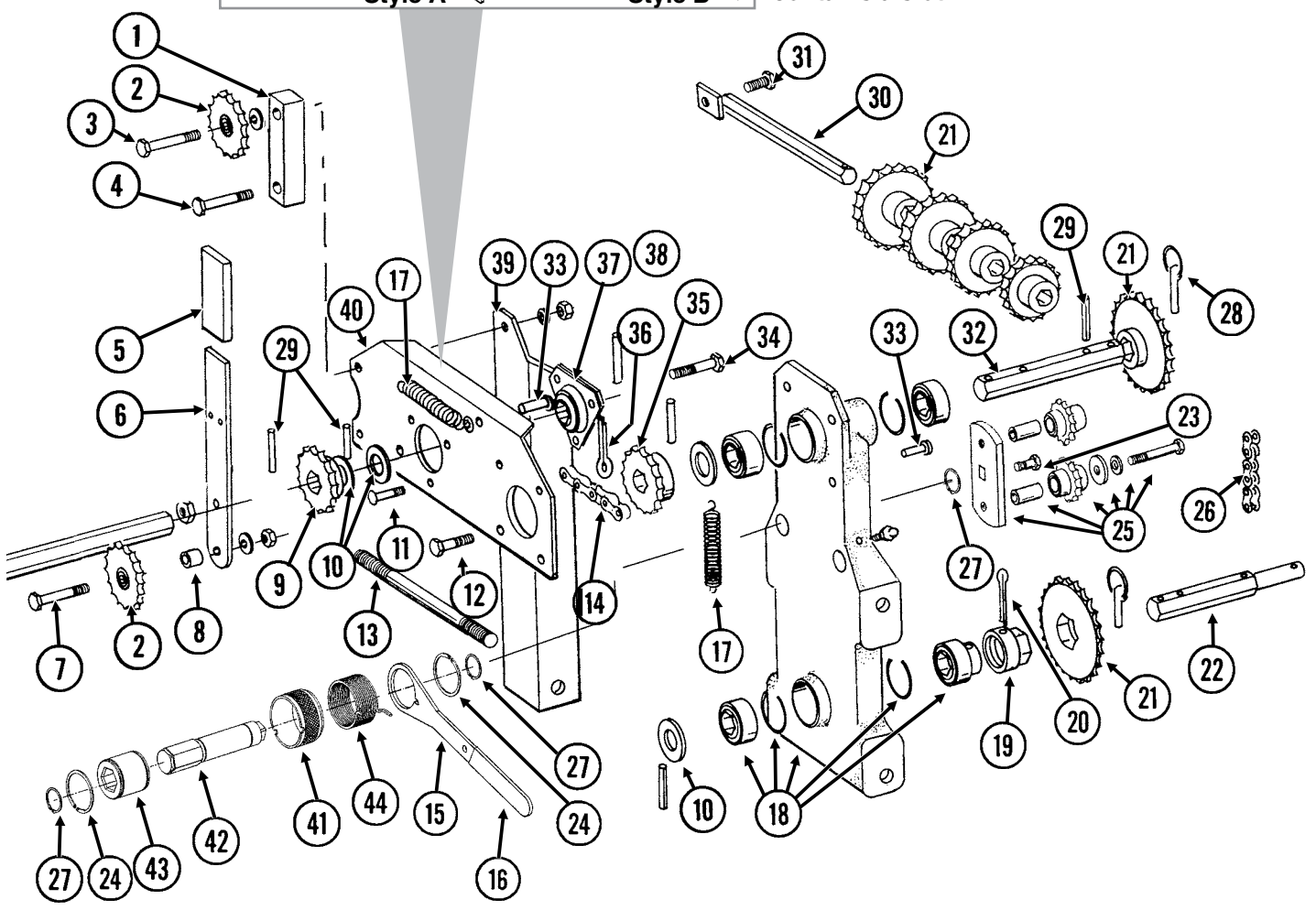
ITEM	PART NO.	QTY.	DESCRIPTION
1	G10602	2	Spring Pin, 1/4" x 1 1/2"
2	GD5884-01	1	Hex Shaft, 7/8" x 36" (3 Holes), 6 Row 30" and 8 Row 30"
	GD5960	-	Hex Shaft, 7/8" x 50" (6 Holes), 6 Row 36"/38"
3	GD5961	1	Coupler, 2 1/4"
4	GD5885-01	1	Hex Shaft, 7/8" x 30" (6 Holes), 6 Row 30"/36"/38" and 8 Row 30"
5	---	-	See "Seed Rate Transmission Assembly" on page P57
6	G10131	4	Square Head Set Screw, 5/16"-18 x 3/4"
7	GD0914-170	1	Hex Shaft, 7/8" x 170" (No Holes), 6 Row 30"
	GD0914-210	-	Hex Shaft, 7/8" x 210" (No Holes), 6 Row 36"/38"
	GD0914-230	-	Hex Shaft, 7/8" x 230" (No Holes), 8 Row 30"
8	G10460	2	Cotter Pin, 1/4" x 2"
9	G10233	-	Machine Bushing, 1", 10 Gauge (As Required)
10	GA5165	1	Sprocket, 30 Tooth
11	G10430	1	External Retaining Ring, 1 1/4"
12	GD1255	2	L-Pin
13	GA0378	1	Block and Hub Assembly
14	G10453	2	Cotter Pin, 3/16" x 1"
15	GD1256	2	Spring
16	G10130	1	Square Head Machine Bolt, 5/16"-18 x 1 3/4"
	G10923	1	Flange Nut, 5/16"-18, No Serration
17	GD11045	1	Lock Clamp
18	G10233	2	Machine Bushing, 1", 10 Gauge
19	GB0287	2	Coupler
A	GA5164	-	Ratchet/Sprocket Assembly, Includes: (2) GD1256, (2) G10464,
B	G1K269	-	Lock Clamp Kit (Items 16 and 17)

(PT8k/PT8mm)



If replacing Style A (GD5830)	Must Order:	
	GD30624	X
If replacing Style A (GD16302)	Must Order:	
	GD30624	X
	GD30622	X

NOTE: Style A contains holes and Style B contains a slot.

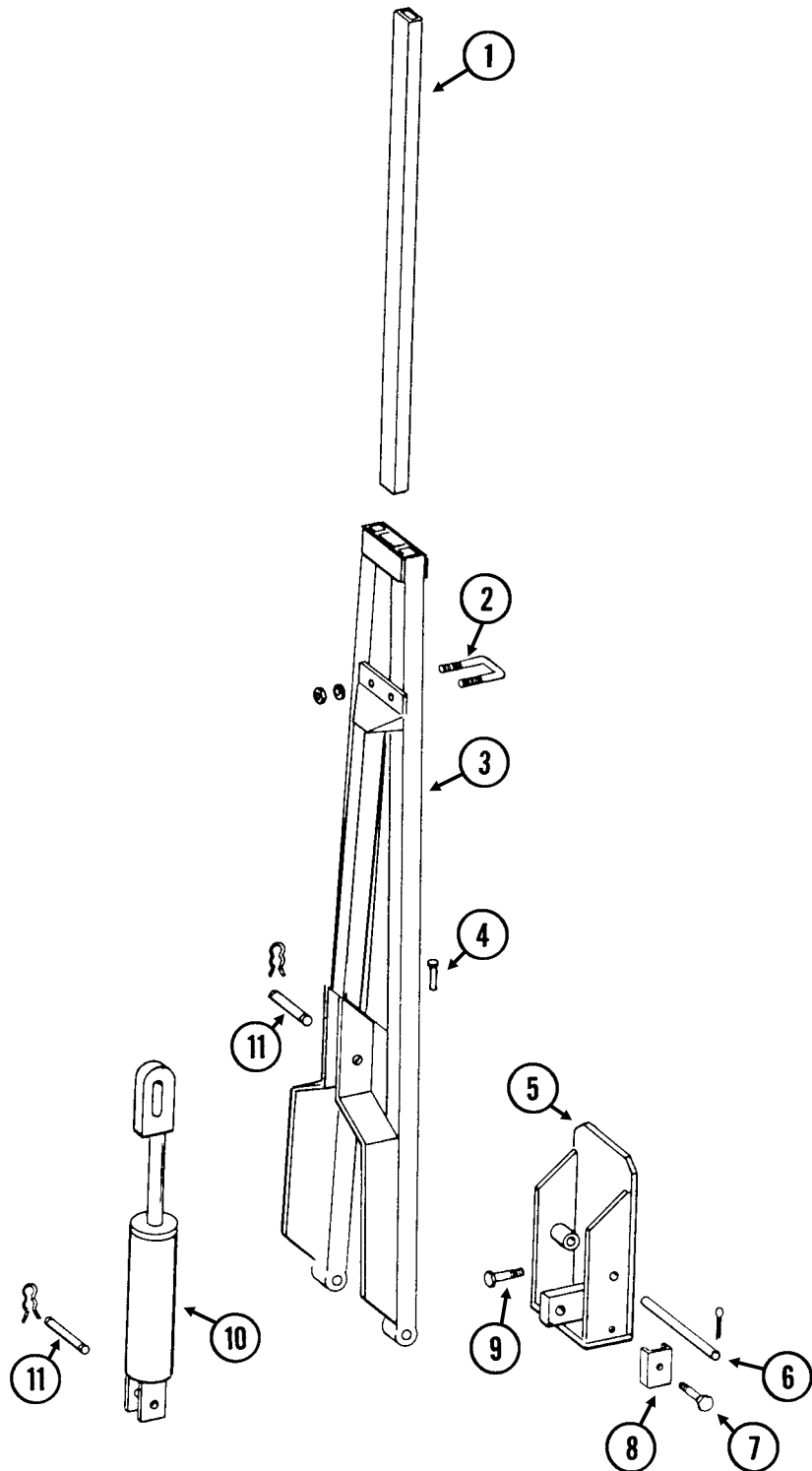


ITEM	PART NO.	QTY.	DESCRIPTION
1	GD12571	-	Spacer, 1" x 4"
2	GA7154	1	Sprocket W/Bearing, 18 Tooth
3	G10033	1	Hex Head Cap Screw, 1/2"-13 x 3 1/2"
	G10128	-	Machine Bushing, 1/2", 14 Gauge (As Required)
	G10228	1	Lock Washer, 1/2"
	G10102	1	Hex Nut, 1/2"-13
4	G10053	1	Hex Head Cap Screw, 1/2"-13 x 2 1/2"
	G10228	1	Lock Washer, 1/2"
	G10102	1	Hex Nut, 1/2"-13
5	GD5827	1	Cover
6	GD31450	1	Arm
7	G10053	1	Hex Head Cap Screw, 1/2"-13 x 2 1/2"
	G10128	-	Machine Bushing, 1/2", 14 Gauge (As Required)
	G10228	1	Lock Washer, 1/2"
	G10102	1	Hex Nut, 1/2"-13
8	GD4887-01	1	Sleeve, 1/2" I.D. x 5/8" Long
9	GA5105	1	Sprocket, 15 Tooth
10	G10233	-	Machine Bushing, 1", 10 Gauge
11	G10303	3	Carriage Bolt, 5/16"-18 x 1"
	G10232	3	Lock Washer, 5/16"
	G10106	3	Hex Nut, 5/16"-18
12	G10037	3	Hex Head Cap Screw, 1/2"-13 x 1 1/4"
	G10228	3	Lock Washer, 1/2"
	G10102	3	Hex Nut, 1/2"-13
13	G10177	2	Hex Head Cap Screw, 5/8"-11 x 9 1/2"
	G10230	2	Lock Washer, 5/8"
	G10104	2	Hex Nut, 5/8"-11
14	G3310-92	1	Chain, No. 40, 92 Pitch Including Connector Link
	G3310-100	-	Chain, No. 40, 100 Pitch Including Connector Link, Used With Half Rate (2 To 1) Drive Reduction
	GR0912	-	Connector Link, No. 40
15	GD14431	1	Handle
16	G11078	1	Vinyl Cap
17	GD5857	2	Spring
18	GA5629	1	Transmission Plate W/Bearings, Grease Fittings and Retaining Rings
	GA5116	3	Bearing, 7/8" Hex Bore, Cylindrical
	GA5624	1	Special Bearing, 7/8" Hex Bore x 1.6"
	GD6551	4	Ring
	G10640	-	Grease Fitting, 1/4"-28
19	GD7127	1	Shear Coupler
20	G10821	1	Clevis Pin, 3/16" x 2"
	G10455		Cotter Pin, 1/16" x 1/2"
21	GA5106	1	Sprocket, 17 Tooth
	GA5107	1	Sprocket, 19 Tooth
	GA5108	2	Sprocket, 23 Tooth
	GA5109	1	Sprocket, 24 Tooth
	GA5110	1	Sprocket, 25 Tooth
	GA5111	1	Sprocket, 26 Tooth
	GA5112	1	Sprocket, 27 Tooth
	GA5113	1	Sprocket, 28 Tooth
22	GD7822	1	Shaft, 7/8" x 7"

ITEM	PART NO.	QTY.	DESCRIPTION
23	G11100	1	Hex Socket Button Head Cap Screw, ¼"-20 x ½", Grade 8
	G10227	1	Lock Washer, ¼"
	G11453	1	Fender Washer, ¼"
24	G10496	2	External Inverted Snap Ring, 1½"
25	GA7336	1	Idler W/Bolt-On Sprockets
	GD7426	-	Sprocket, 12 Tooth
	GD1026	-	Sleeve, 1⅜" Long
	G11387	-	Flat Washer, ⅜" SAE
	G10229	-	Lock Washer, ⅜"
	G10047	-	Hex Head Cap Screw, ⅜"-16 x 1¼"
26	G3310-80	1	Chain, No. 40, 80 Pitch Including Connector Link
	GR0912	-	Connector Link, No. 40
27	G11075	3	External Inverted Snap Ring, ⅞"
28	GD2558	3	Lynch Pin, ¼"
29	G10602	5	Spring Pin, ¼" x 1½"
30	GA5146	1	Sprocket Storage Rod
31	G10017	1	Hex Head Cap Screw, ½"-13 x 1½"
	G10527	1	Lock Washer, ½", Internal/External
	G10111	1	Lock Nut, ½"-13
32	GD5835	1	Shaft, ⅞" x 7"
33	G10870	1	Clevis Pin, ⅜" x 1"
	G10860	1	Retaining Ring, ⅜"
34	G10004	1	Hex Head Cap Screw, ⅜"-16 x 1¼"
	G10229	1	Lock Washer, ⅜"
	G11387	1	Flat Washer, ⅜" SAE
	GD15538	2	Spacer, ⅜" I.D. x ⅞" O.D., 7 Gauge
	GD5756	1	Special Nut, ⅜"-16
35	GA5106	1	Sprocket, 17 Tooth, Standard Drive
	GA5202	-	Sprocket, 34 Tooth, Half Rate (2 To 1) Drive Reduction
36	G10460	1	Cotter Pin, ¼" x 2"
37	G2100-03	1	Bearing, ⅞" Hex Bore, Spherical
38	G3400-01	2	Flangette
39	GD5830	1	Angle Support, R.H. (Style A) (Replaced with GD30624)
	GD30624	1	Angle Support, R.H. (Style B)
40	GD5824	1	Plate, R.H.
41	GD19343	1	Release Collar, R.H.
42	GD14427	1	Tightener Shaft, 4 ⅞
43	GD14432	1	Sleeve, 1 ¼"
44	GD14413	1	Torsion Spring, L.H. (Used On R.H. Wrap Spring Wrench)
45	G10017	2	Hex Head Cap Screw, ½"-13 x 1 ½"
	G10228	2	Lock Washer, ½"
	G10102	2	Hex Nut, ½"-13
46	G10038	1	Hex Head Cap Screw, ½"-13 x 3"
	G10128	-	Machine Bushing, ½", 14 Gauge (As Required)
	G10228	1	Lock Washer, ½"
	G10102	1	Hex Nut, ½"-13
47	GB0259	-	Spacer, 1"
48	GA7841	-	Bearing, ⅞" Hex Bore
49	GD16302	-	Reverser Plate (Style A) (Replaced With GD30622)
	GD30622	-	Reverser Plate (Style B)
A	G1K378	-	Wrap Spring Wrench Replacement Kit, Blue Collar, R.H. (Items 15, 16, 23, 24, 27 and 41-44)

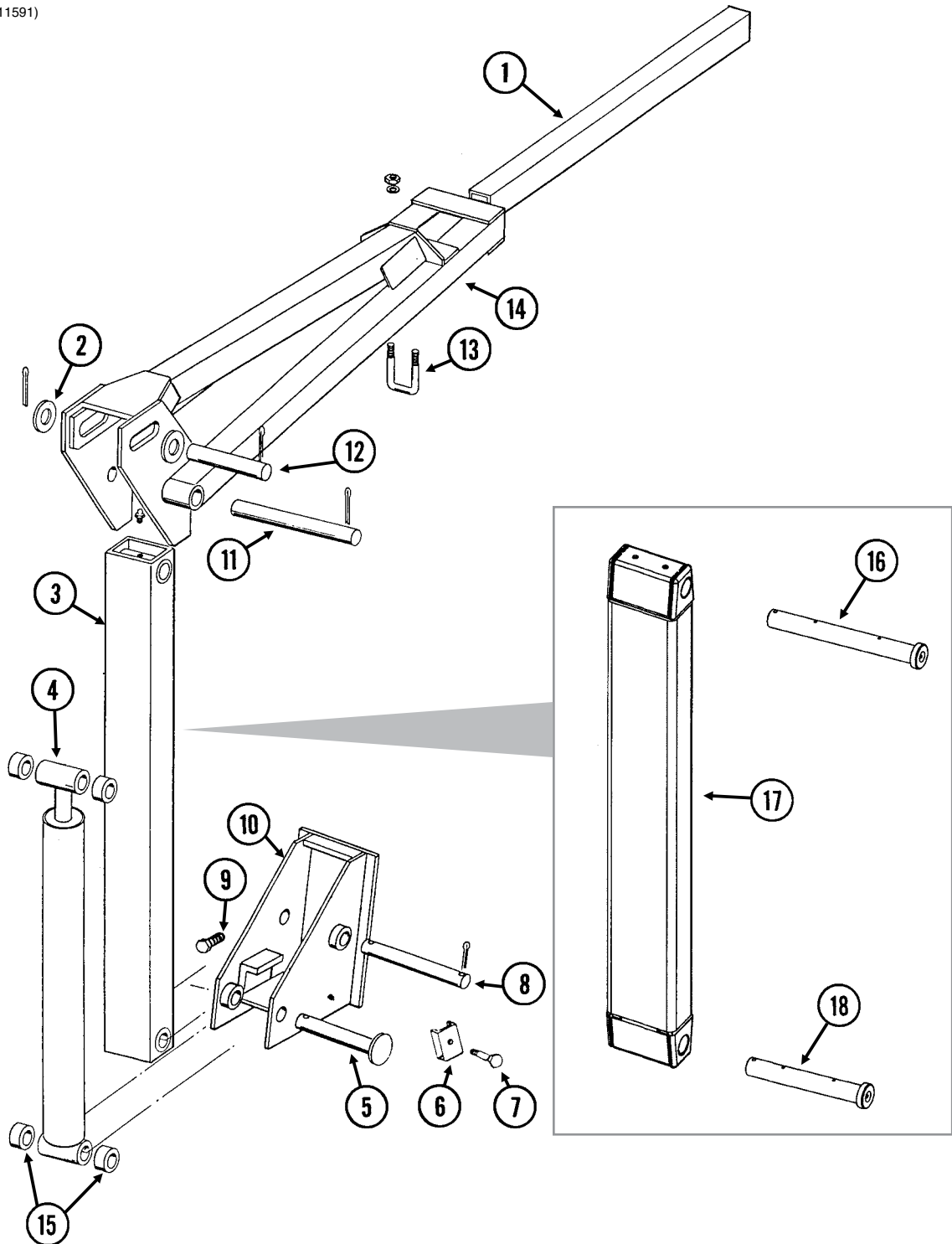
This page left blank intentionally.

MKR010(MKR1a)



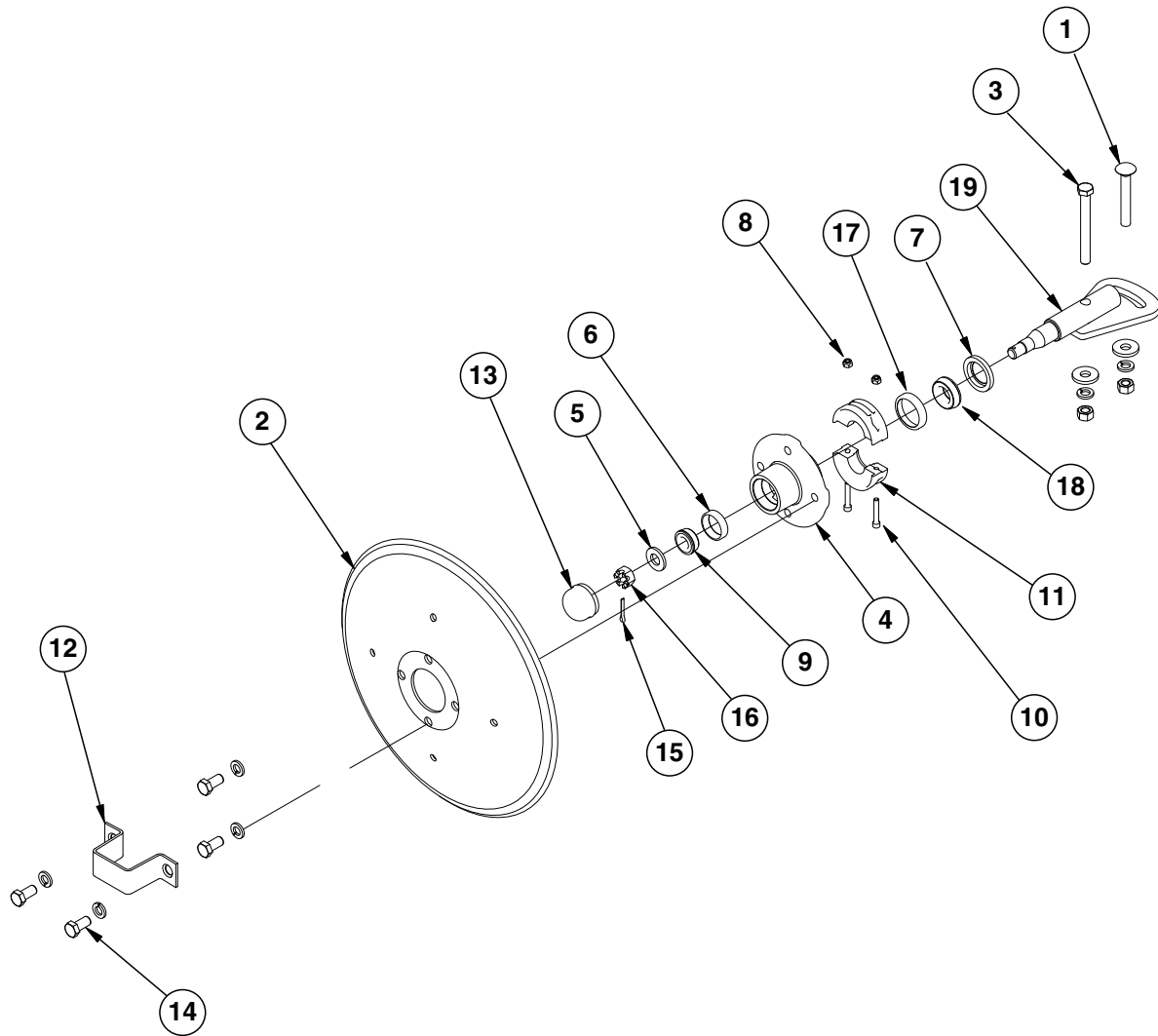
ITEM	PART NO.	QTY. (Per Assy.)	DESCRIPTION
1	GD0453-02	1	Extension Tube, 40", 4 Row 30"
	GD0453-06	-	Extension Tube, 30", 4 Row 30" W/Optional Interplant Package
	GD0453-07	-	Extension Tube, 45", 4 Row 36"/38" and 6 Row 30"
2	GD2721	1	U-Bolt, 2" x 2" x 1/2"-13
	G10228	2	Lock Washer, 1/2"
	G10102	2	Hex Nut, 1/2"-13
3	GA5175	1	Arm W/Grease Fittings, 31 1/2", 4 Row 30"
	GA5184	-	Arm W/Grease Fittings, 44 1/2", 4 Row 36"/38"
	GA5183	-	Arm W/Grease Fittings, 58 1/2", 6 Row 30"
	G10640	-	Grease Fitting, 1/4"-28
4	GD0462	1	Safety Lockup Pin
	G10670	1	Hair Pin Clip, No. 3
	G10187	1	Spring Pin, 5/32" x 2"
5	GA5177	1	Mount W/Grease Fittings, 4 Row 30"
	GA5178	-	Mount W/Grease Fittings, 4 Row 36"/38" and 6 Row 30"
	G10640	-	Grease Fitting, 1/4"-28
6	GD0438	1	Pin, 13 1/2"
	G10460	2	Cotter Pin, 1/4" x 2"
7	G10133	1	Hex Head Cap Screw, 5/16"-18 x 1 1/2"
	G10109	1	Lock Nut, 5/16"-18, Grade 8
8	GD5892	1	Hose Clamp, 5/8" x 1 1/2" x 1 1/2"
9	G10008	4	Hex Head Cap Screw, 5/8"-11 x 2"
	G10230	4	Lock Washer, 5/8"
10	---	-	See "Row Marker Cylinder, 4 Row 30"/36"/38" and 6 Row 30" on page P71
11	GR0962	1	Pin, 1" x 3 3/8"
	GR0193	2	Hair Pin Clip

MKR006/MKR009(MKR2/A11591)



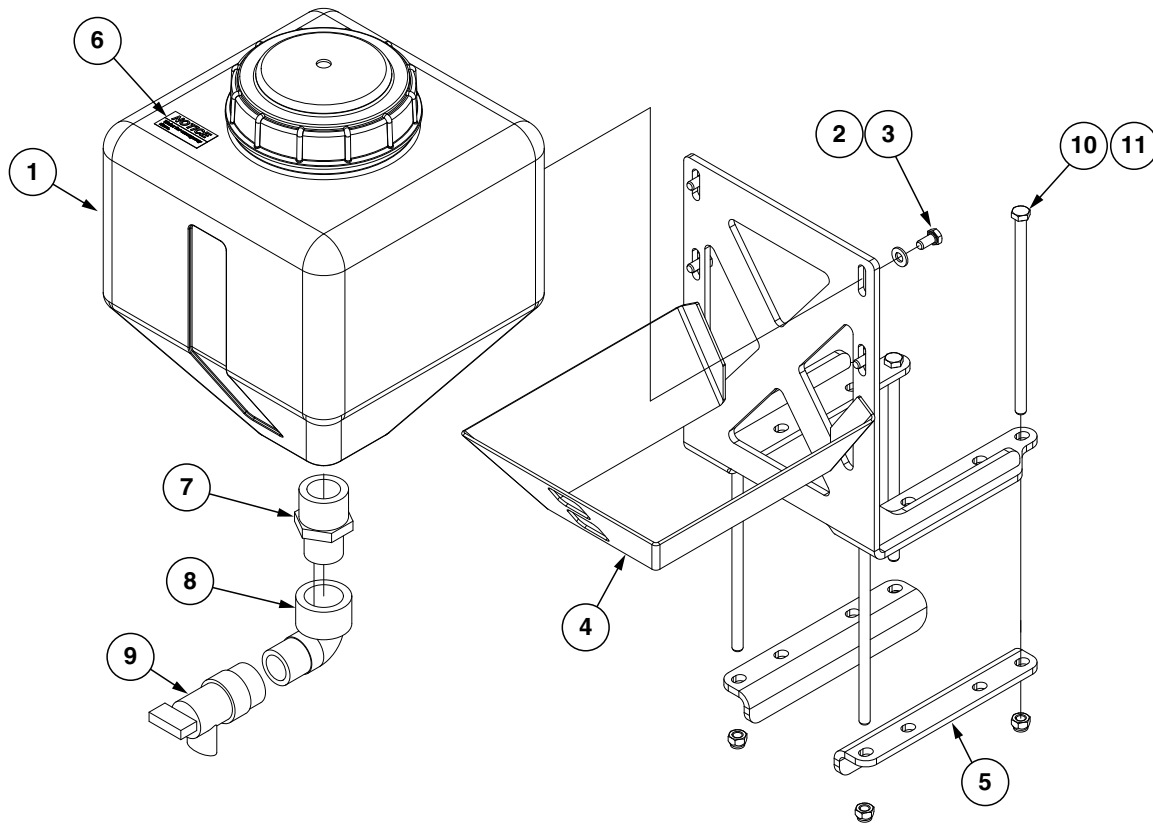
ITEM	PART NO.	QTY. (Per Assy.)	DESCRIPTION
1	GD0453-03	1	Extension Tube, 50", 6 Row 36"/38" and 8 Row 30"
2	G11396	2	Flat Washer, 1 1/4" SAE
3	GA5173	1	Arm W/Grease Fittings, First Stage
	G10641	-	Grease Fitting, 1/8" NPT
4	---	-	See "Row Marker Cylinder, 6 Row 36"/38" and 8 Row 30"" on page P72
5	GD15386	1	Pin, 1 1/4" x 7 5/8"
	G10460	1	Cotter Pin, 1/4" x 2"
6	GD5875	1	Hose Clamp
7	G10133	1	Hex Head Cap Screw, 5/16"-18 x 1 1/2"
	G10109	1	Lock Nut, 5/16"-18, Grade 8
8	GD0652	1	Pin, 1 1/4" x 9 1/2"
	G10460	2	Cotter Pin, 1/4" x 2"
9	G10879	4	Flanged 12 Point Bolt, 5/8"-11 x 2", Special Hardened
10	GA5130	1	Mount
11	GD3214	1	Pin, 1 1/4" x 12 1/4"
	G10460	2	Cotter Pin, 1/4" x 2"
12	GD2161	1	Pin, 1 1/4" x 8 1/4"
	G10460	2	Cotter Pin, 1/4" x 2"
13	GD2721	1	U-Bolt, 2" x 2" x 1/2"-13
	G10228	2	Lock Washer, 1/2"
	G10102	2	Hex Nut, 1/2"-13
14	GA5190	1	Arm, Second Stage, 35", 6 Row 36"/38"
	GA5188	-	Arm, Second Stage, 46", 8 Row 30"
15	GD0752-41	-	Sleeve, 1" (If Applicable)
16	GA11766	-	Pin W/Grease Fitting, 1 1/4" x 11 13/16"
	G10640	-	Grease Fitting, 1/4"-28
	G10460	1	Cotter Pin, 1/4" x 2"
17	GA11591	-	Arm, First Stage
18	GA11767	-	Pin W/Grease Fitting, 1 1/4" x 9 1/2"
	G10640	-	Grease Fitting, 1/4"-28
	G10460	1	Cotter Pin, 1/4" x 2"

IP1035aa



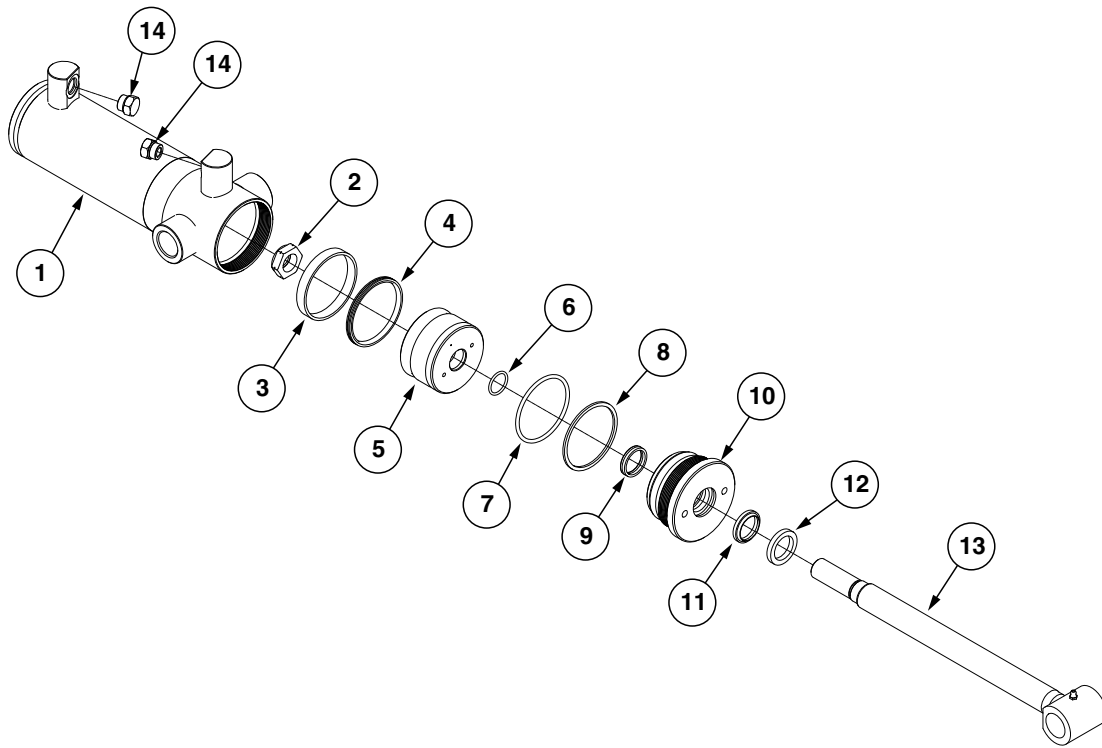
ITEM	PART NO.	QTY. (Per Assy.)	DESCRIPTION
1	G10844	1	Carriage Bolt, 1/2"-13 x 3 1/2"
	G10168	2	Machine Bushing, 1/2", 7 Gauge
	G10228	2	Lock Washer, 1/2"
	G10102	2	Hex Nut, 1/2"-13
2	GD0746	1	Disc Blade, Solid, 16" (Shown)
	GD10283	-	Disc Blade, Notched, 16" (Optional)
3	G10045	1	Hex Head Cap Screw, 1/2"-13 x 4 1/2"
	G10168	2	Machine Bushing, 1/2", 7 Gauge
	G10228	2	Lock Washer, 1/2"
	G10102	2	Hex Nut, 1/2"-13
4	GA0167	1	Hub W/Cups, 4 Bolt (Includes Items 6 and 17)
5	G11391	1	Flat Washer, 5/8" SAE
6	GR0151	1	Outer Cup
7	GD21540	1	Grease Seal
8	G10110	2	Lock Nut, 1/4"-20, Grade B
9	GA0257	1	Bearing
10	G11418	2	Hex Socket Head Cap Screw, 1/4" x 1 1/2"
11	GB0554	2	Hub Shield
12	GD2597	1	Retainer
13	GD0840	1	Dust Cap
14	G10722	4	Hex Head Cap Screw, 1/2"-20 x 1"
	G10228	4	Lock Washer, 1/2"
15	G10544	1	Cotter Pin, 5/32" x 1"
16	G10725	1	Slotted Hex Nut, 5/8"-18
17	GR0150	1	Inner Cup
18	GA0245	1	Bearing
19	GA15151	1	Spindle
A	GA13719	-	Marker Hub Assembly, (Items 4-7, 9, and 12-19)

A21003



ITEM	PART NO.	QTY.	DESCRIPTION
1	GD30723	1	4 Gallon Water Tank W/Lid
2	G11386	4	Flat Washer, 5/16" SAE
3	G10018	4	Hex Head Cap Screw, 5/16"-18 x 5/8"
4	GA21002	1	Water Tank Mount
5	GD30221	2	Water Tank Mount Brackets
6	G7100-501	1	Decal, Notice
7	G10727	1	Reducing Nipple, 1-1/4" x 1"
8	G11742	1	1" NPT 90° Elbow
9	GD30722	1	1" NPTF Flush Valve
10	G10686	4	Hex Head Cap Screw, 3/8"-16 x 8"
11	G10108	4	Lock Nut, 3/8"-16

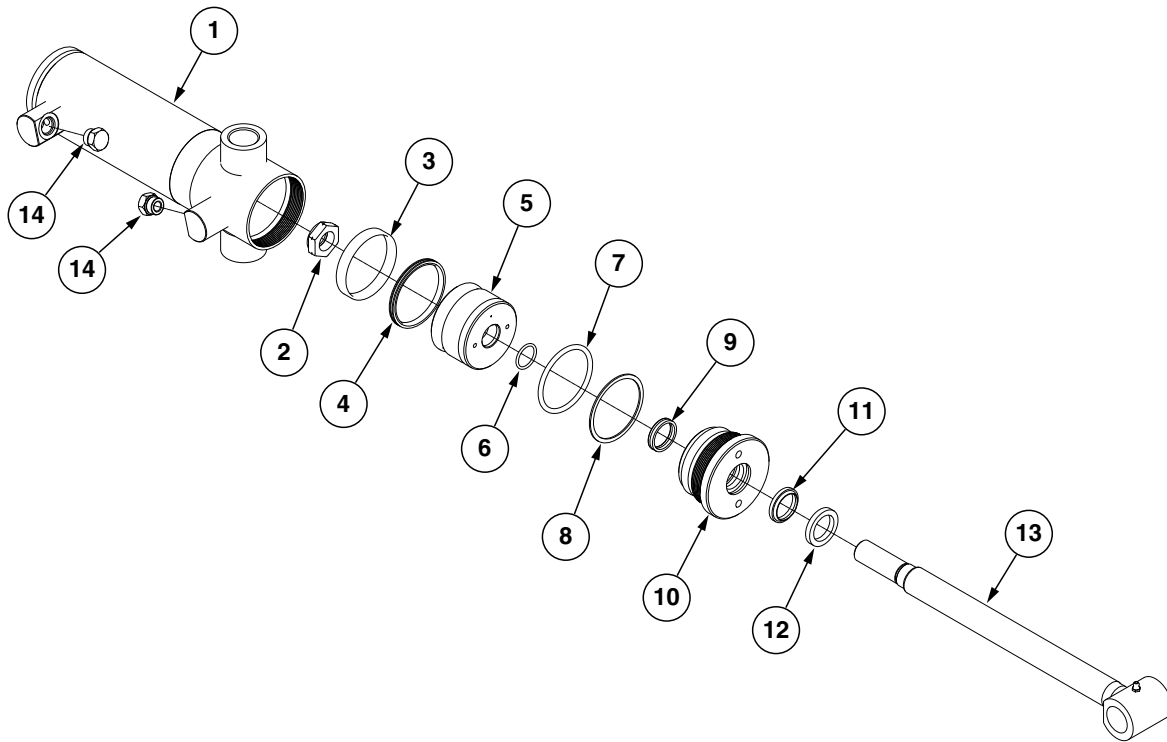
(IP1523)



ITEM	PART NO.	QTY.	DESCRIPTION
1	A4295	1	Barrel
2	GD27235	1	Nylon Lock Nut, 1"-14, Grade 8
3	*D12056	1	Wear Ring
4	*D12280	1	T-Seal
5	GA21112	1	Piston
6	*D29649	1	O-Ring, No. 215
7	*D12231	1	O-Ring, No. 338
8	*D12232	1	BU Ring
9	*D12251	1	U-Cup
10	GD12507	1	Gland
11	*D12210	1	Wiper
12	GD12102	1	Ring
13	GA21106	1	Rod
14	G6408-08	2	Plug W/O-Ring, 3/4"-16 O-Ring
	GR1037	-	O-Ring
A	GA21111	-	Cylinder Complete, 3½" x 8" (Part Number Stamped On Barrel)
B	GR2228	-	Seal Kit, Includes: (1) Wiper, (3) O-Rings, (1) BU Ring, (1) T-Seal, (1) Wear Ring, (1) U-Cup

*Item is part of seal kit, item can not be purchased individually.

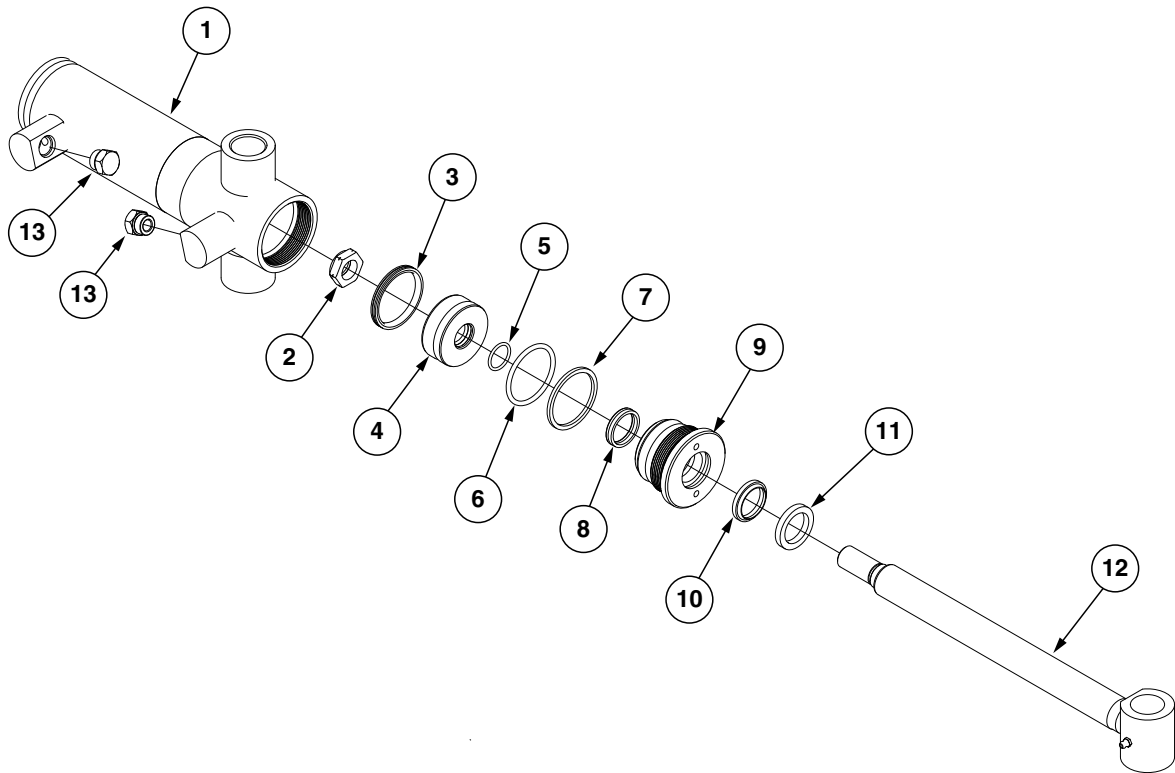
(IP1524)



ITEM	PART NO.	QTY.	DESCRIPTION
1	A7538	1	Barrel
2	GD27235	1	Nylon Lock Nut, 1"-14, Grade 8
3	*D12038	1	Wear Ring
4	*D12279	1	T-Seal
5	GA21105	1	Piston
6	*D29649	1	O-Ring, No. 215
7	*D12227	1	O-Ring, No. 336
8	*D12228	1	Back-Up Ring
9	*D12251	1	U-Cup
10	GD12505	1	Gland
11	*D12210	1	Wiper
12	GD12102	1	Ring
13	GA21106	1	Rod
14	G6408-08	2	Plug W/O-Ring, 3/4"-16 O-Ring
	GR1037	-	O-Ring
A	GA21104	-	Cylinder Complete, 3 1/4" x 8" (Part Number Stamped On Barrel)
B	GR2225	-	Seal Kit, Includes: (1) Wiper, (1) U-Cup, (3) O-Rings, (1) BU Ring, (1) T-Seal, (1) Wear Ring

*Item is part of seal kit, item can not be purchased individually.

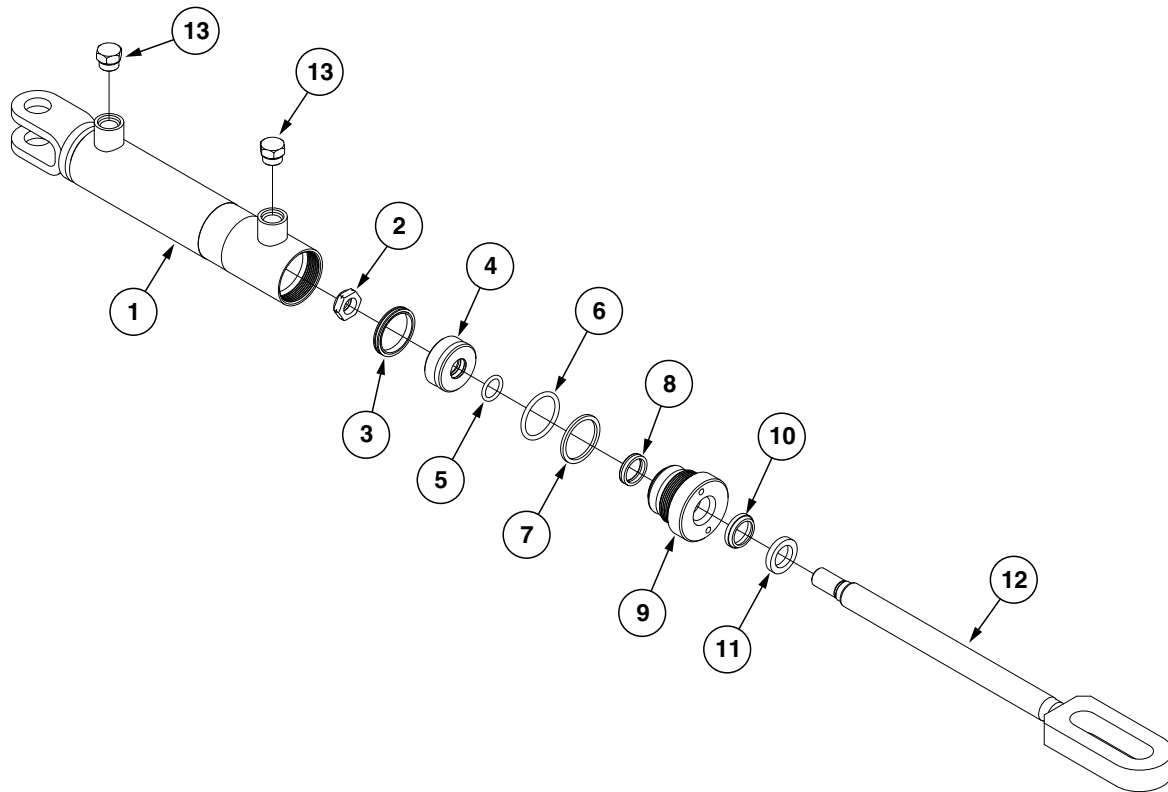
(IP1525)



ITEM	PART NO.	QTY.	DESCRIPTION
1	A8827	1	Barrel
2	GD27234	1	Nylon Lock Nut, 7/8"-14, Grade 8
3	*D12275	1	T-Seal, 2 1/2"
4	GD30401	1	Piston
5	*D30399	1	O-Ring, No. 119
6	*D12212	1	O-Ring, No. 330
7	*D12213	1	BU Ring
8	*D12251	1	U-Cup
9	GD11985	1	Gland
10	*D12210	1	Wiper
11	GD12102	1	Ring
12	GA21185	1	Rod
13	G6408-08	2	Plug W/O-Ring, 3/4"-16 O-Ring
	GR1037	-	O-Ring
A	GA21184	-	Cylinder Complete, 2 1/2" x 8" (Part Number Stamped On Barrel)
B	GR2227	-	Seal Kit, Includes: (1) Wiper, (3) O-Rings, (1) BU Ring, (1) T-Seal, (1) U-Cup

*Item is part of seal kit, item can not be purchased individually.

(IP1528)



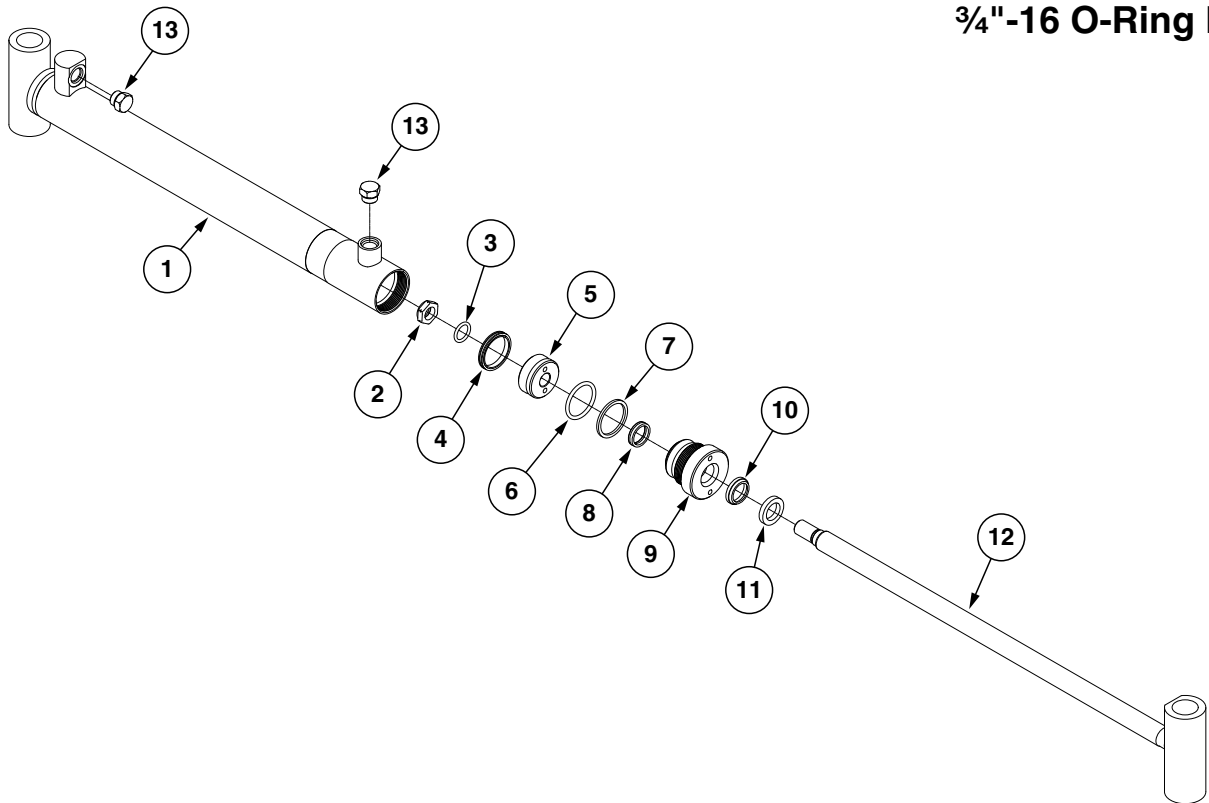
ITEM	PART NO.	QTY.	DESCRIPTION
1	A8775	1	Barrel
2	GD27233	1	Nylon Lock Nut, 3/4"-16, Grade 8
3	*D12277	1	T-Seal
4	GD29689	1	Piston
5	*D29692	1	O-Ring, No. 211
6	*D12235	1	O-Ring, No. 326
7	*D12236	1	Back-Up Ring
8	*D12256	1	U-Cup
9	GD12510	1	Gland
10	*D12233	1	Wiper Rod
11	GD12101	1	Ring
12	GA21168	1	Rod
13	G6408-08	2	Plug W/O-Ring, 3/4"-16 O-Ring
	GR1037	-	O-Ring

A	GA21167	-	Cylinder Complete, 2" x 8" (Part Number Stamped On Barrel)
B	GR2229	-	Seal Kit, Includes: (1) Wiper, (2) U-Cup, (3) O-Rings, (1) BU Ring, (1) T-Seal, (1) Instruction Sheet

*Item is part of seal kit, item can not be purchased individually.

(IP1527)

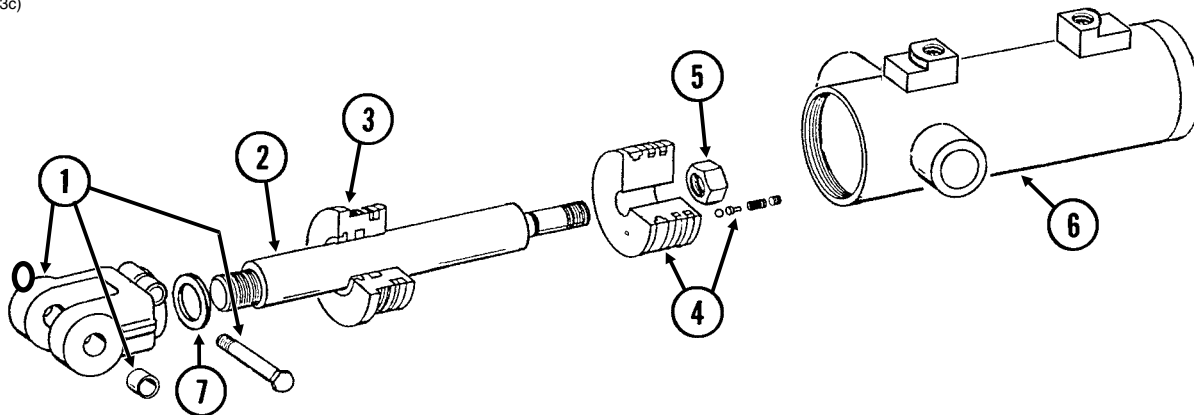
3/4"-16 O-Ring Ports



ITEM	PART NO.	QTY.	DESCRIPTION
1	A9442	1	Barrel
2	GD27233	1	Nylon Lock Nut, 3/4"-16, Grade 8
3	*D29692	1	O-Ring, No. 211
4	*D12277	1	T-Seal
5	GD29689	1	Piston
6	*D12235	1	O-Ring, No. 326
7	*D12236	1	Back-Up Ring
8	*D12256	1	U-Cup
9	GD12510	1	Gland
10	*D12233	1	Wiper Rod
11	GD12101	1	Ring
12	GA21159	1	Rod
13	G6408-08	2	Plug W/O-Ring, 3/4"-16 O-Ring
	GR1037	-	O-Ring
A	GA21158	-	Cylinder Complete, 2" x 20 1/16" (Part Number Stamped On Barrel)
B	GR2229	-	Seal Kit, Includes: (1) Wiper, (2) U-Cup, (3) O-Rings, (1) BU Ring, (1) T-Seal, (1) Instruction Sheet

*Item is part of seal kit, item can not be purchased individually.

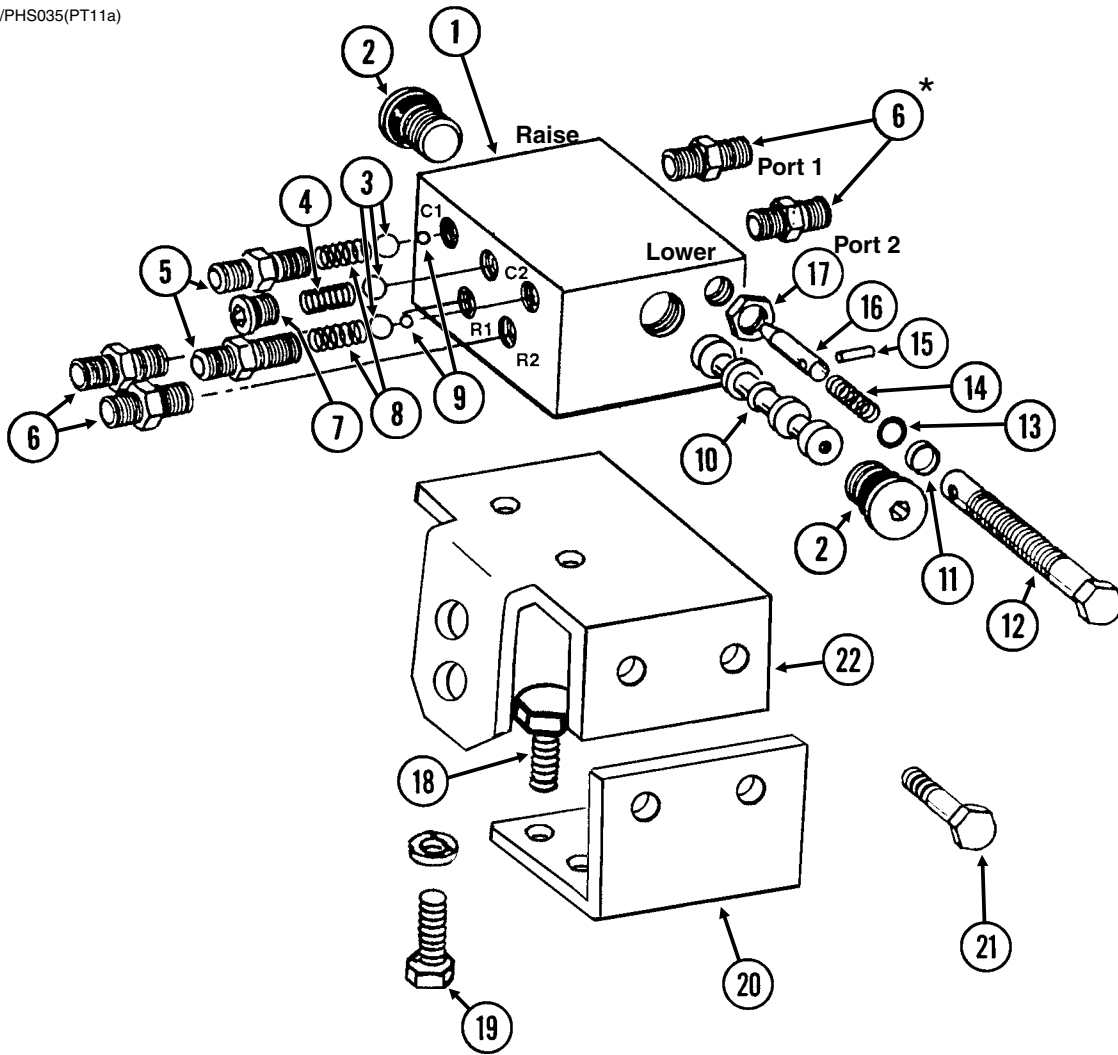
(CYL33c)



ITEM	PART NO.	QTY.	DESCRIPTION
1	GA8130	1	Clevis W/Bushings, Hex Head Cap Screw and Hex Nut
	GR1401	2	Bushing
	G10939	1	Hex Head Cap Screw, 3/8"-16 x 2 1/4"
	G10101	1	Hex Nut, 3/8"-16
2	GD12513	1	Rod
3	GD11995	1	Gland
4	GA8924	1	Piston W/Rephasing Valve
	GR1169	-	Rephasing Valve Replacement Kit (Includes: Set Screw, Guide, 2 Springs and Ball)
5	GD27235	1	Nylon Lock Nut, 1"-14, Grade 8
6	A8923	1	Barrel
7	G10957	4	Steel Shim
A	GA8897	-	Cylinder Complete, 4 1/4" x 4" (Part Number Stamped On Barrel)
B	GR1523	-	Seal Kit, Includes: (1) Wiper, (2) O-Rings, (1) BU Ring, (1) U-Cup, (1) Seal, (1) Expander, (2) Cast Iron Ring

This page left blank intentionally.

VVB025/PHS035(PT11a)

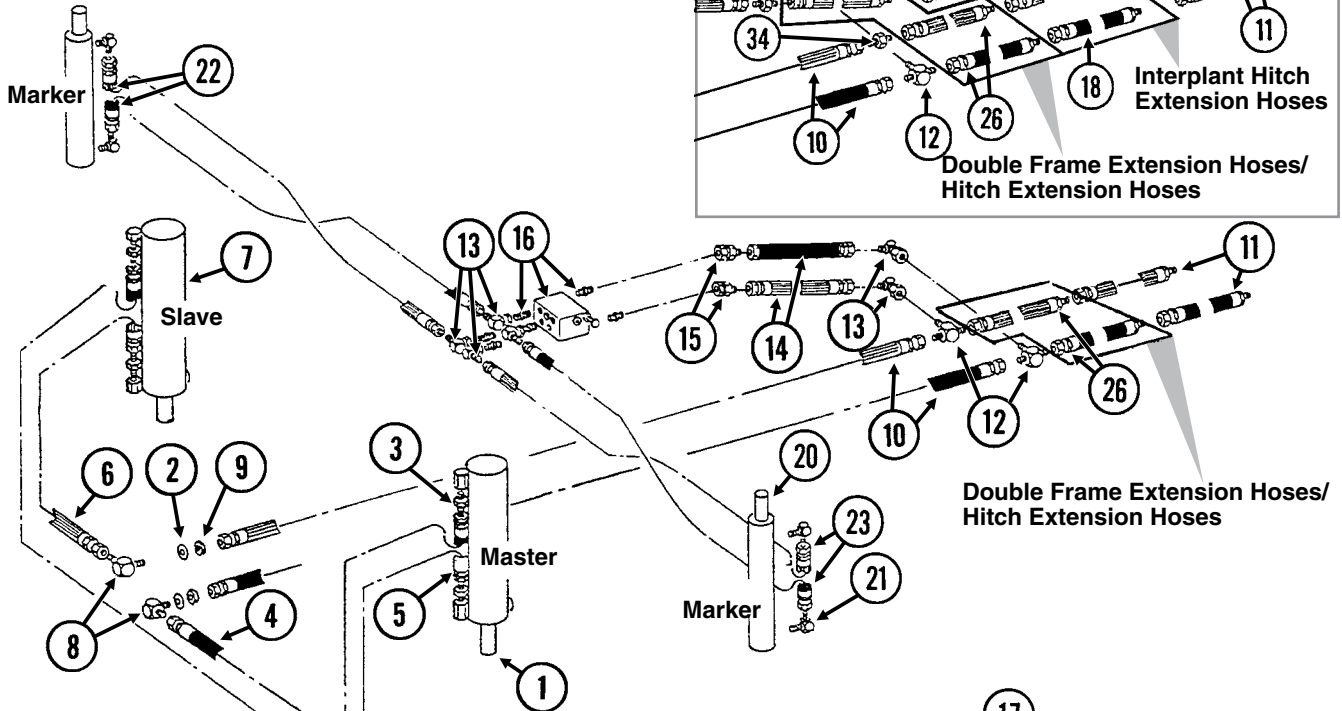
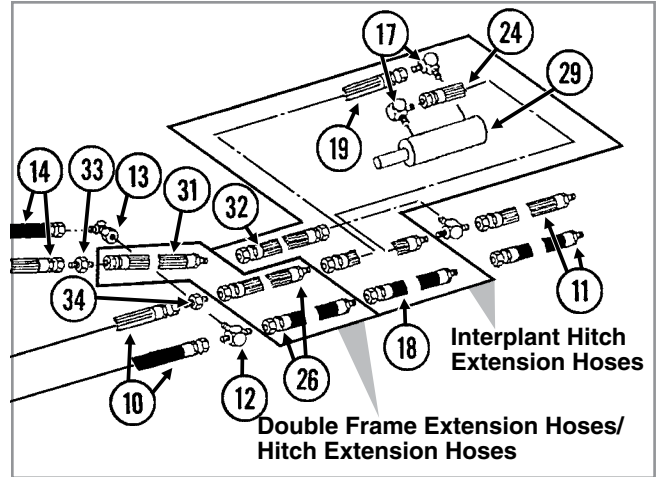


ITEM	PART NO.	QTY.	DESCRIPTION
1	---	-	Valve Body (Non-Stock Item)
2	GR1047	2	Hex Socket Plug W/O-Ring
	GR1037	-	O-Ring
3	GR1044	3	7/16" Check Ball
4	GR1033	1	Detent Spring
5	GR1032	2	Port Adapter W/O-Ring
	GR1045	-	O-Ring
6	*G6400-06	4	Connector W/O-Ring, 1/16"-18 Male 37° JIC To 1/16"-18 O-Ring
	GR1045	-	O-Ring
7	GR1034	1	Hex Socket Plug W/O-Ring
	GR1035	-	O-Ring
8	GR1036	2	Spring
9	GR1043	2	1/4" Steel Ball
10	---	-	Spool (Non-Stock Item)
11	GR1041	2	Teflon BU Ring
12	GR1042	2	Adjustment Screw
13	GR1040	2	O-Ring
14	GR1046	2	Compression Spring
15	GR1039	2	Spring Pin
16	GR1038	2	Needle
17	GR1048	2	Hex Jam Nut, 1/2"-20
18	G10001	2	Hex Head Cap Screw, 3/8"-16 x 1"
	G11387	2	Washer, 3/8" SAE
	G10229	2	Lock Washer, 3/8"
19	G10001	2	Hex Head Cap Screw, 3/8"-16 x 1"
	G10229	2	Lock Washer, 3/8"
20	GD10223	1	Mounting Angle
21	G10001	2	Hex Head Cap Screw, 3/8"-16 x 1"
	G11387	2	Washer, 3/8" SAE
	G10229	2	Lock Washer, 3/8"
	G10101	2	Hex Nut, 3/8"-16
22	GD10224	1	Valve Mounting Angle
A	GA5552	-	Valve Assembly Complete (Items 1-17)
B	GA5572	-	Flow Control Portion Only (Items 11-17)

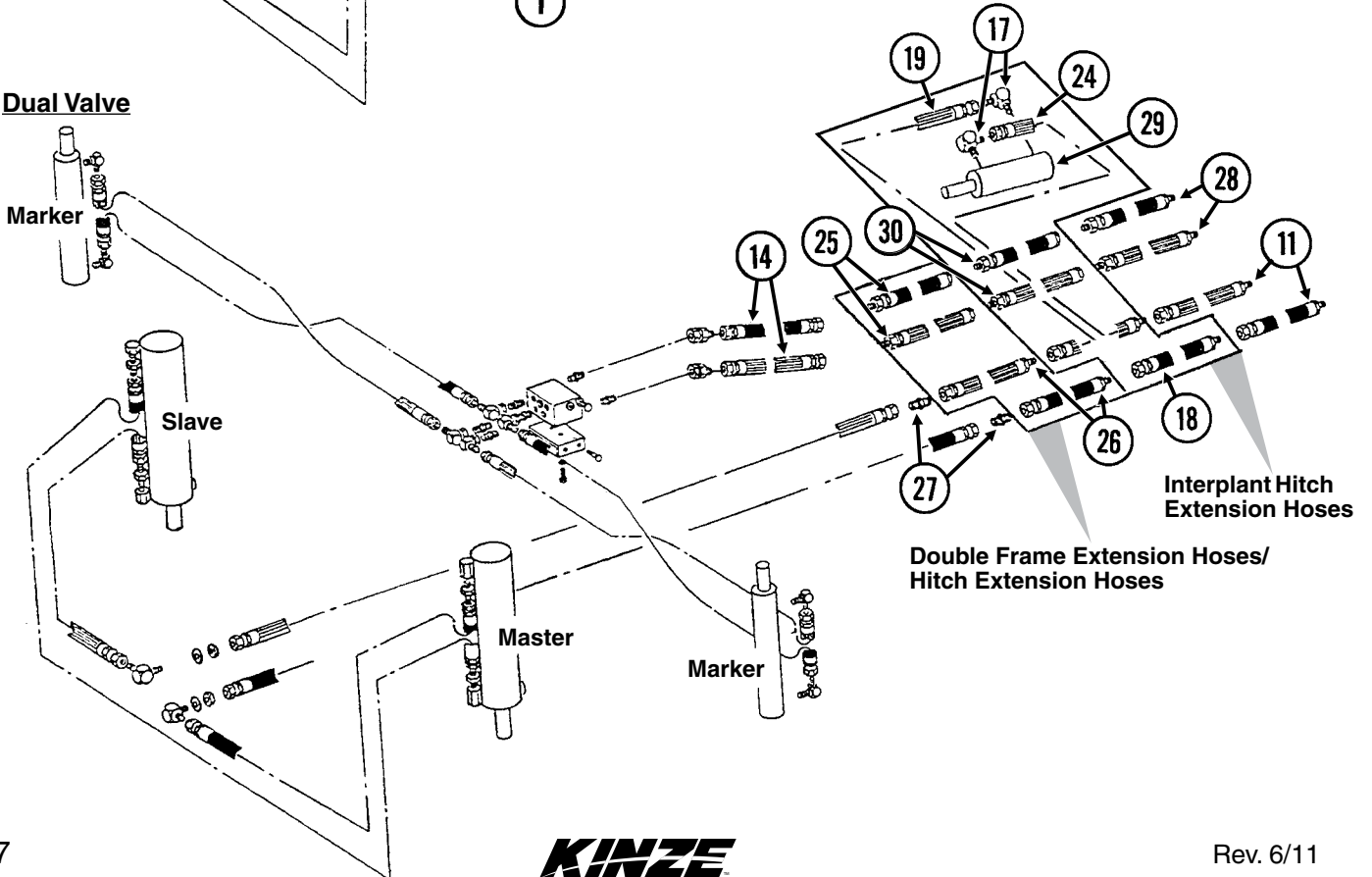
*Not used on sizes with 3/8" hoses.

(PT12d/PT12e/PT13d)

Single Valve



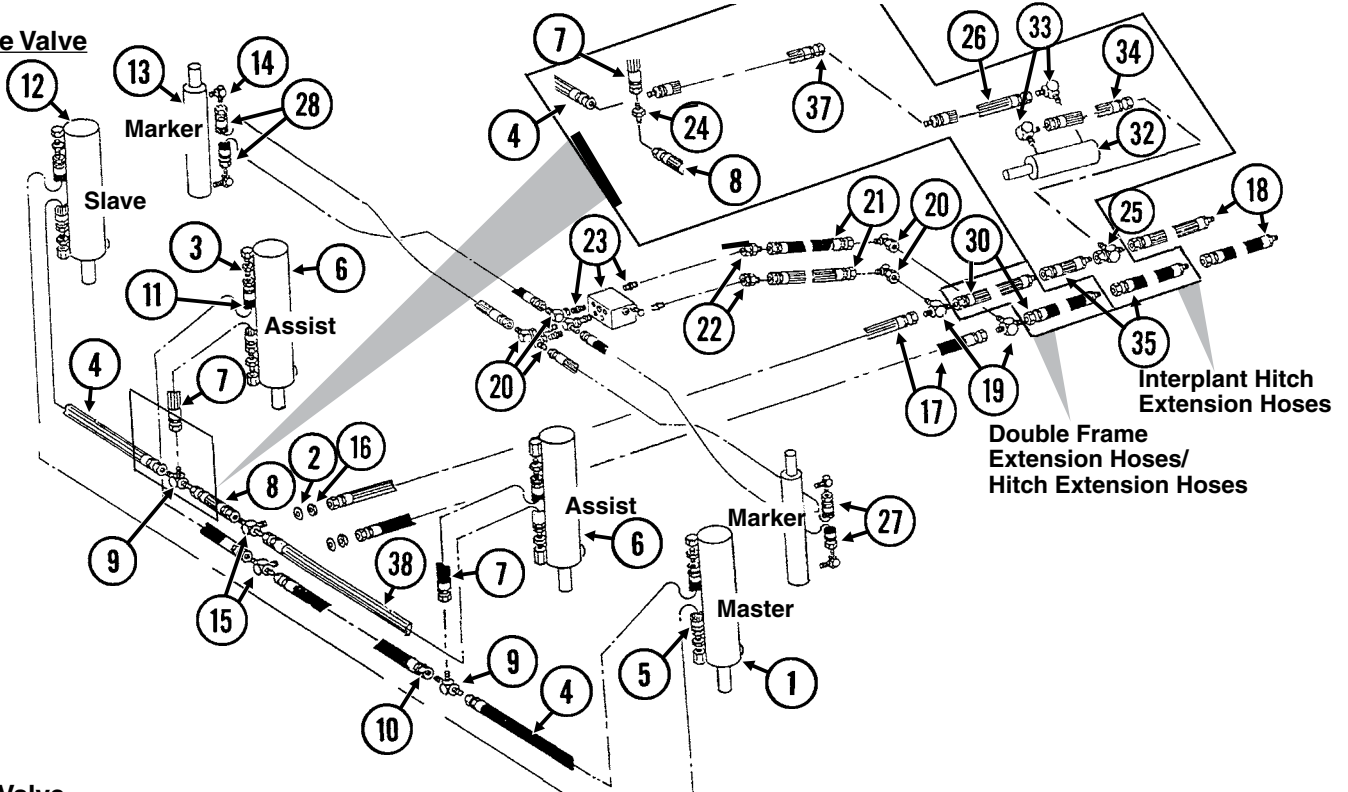
Dual Valve



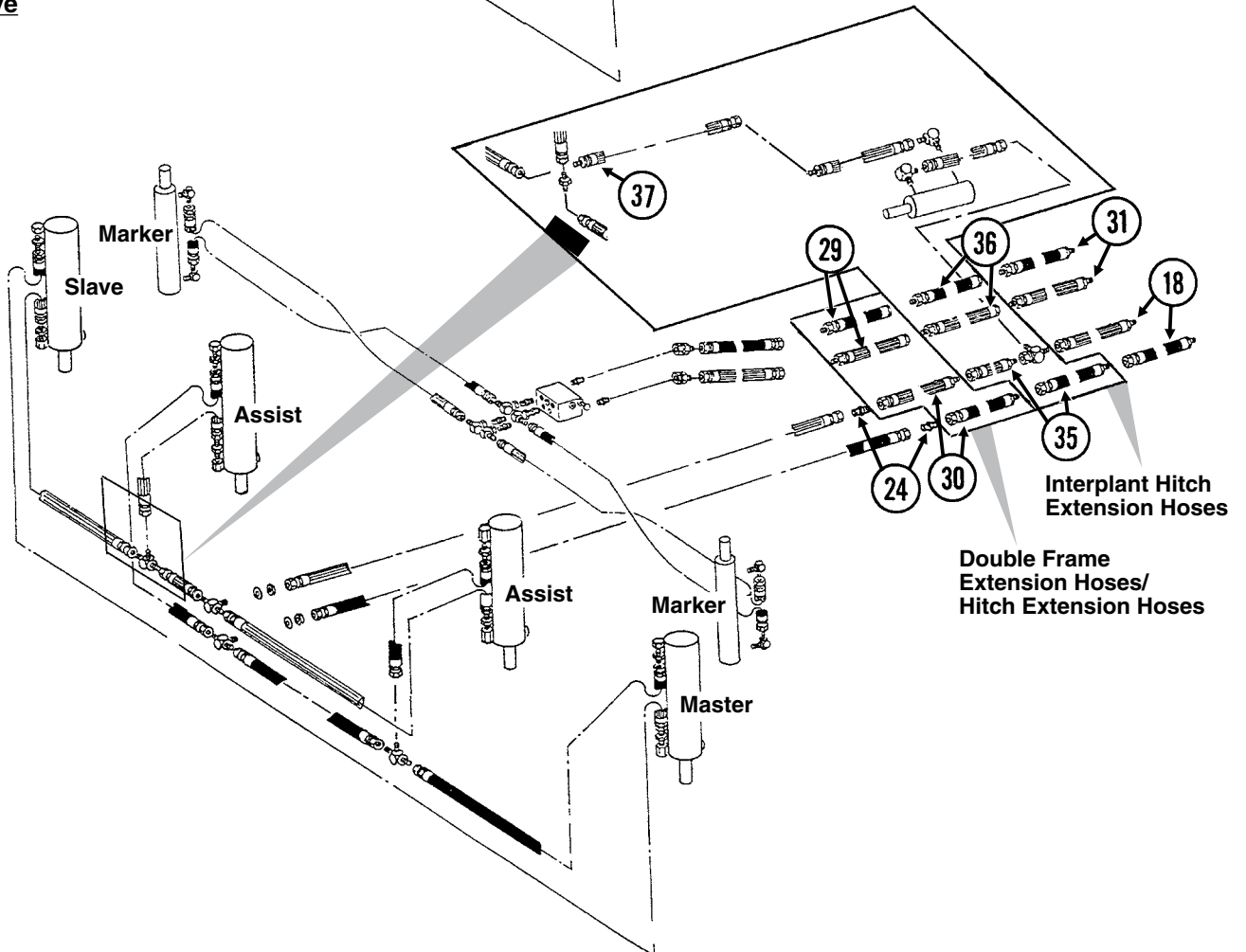
ITEM	PART NO.	QTY.	DESCRIPTION
1	---	-	See "Master Lift Cylinder" on page P68
2	G10215	2	Machine Bushing, 3/4", 14 Gauge
3	G6400-08 GR1037	4 -	Connector W/O-Ring, 3/4"-16 Male JIC To O-Ring O-Ring
4	*A1018 *A1020	1 -	Hose Assembly, 3/8" x 40", 4 Row 30" Hose Assembly, 3/8" x 48", 4 Row 36"/38"
5	*A3113 *A3136	1 -	Hose Assembly, 3/8" x 84", 4 Row 30" Hose Assembly, 3/8" x 100", 4 Row 36"/38"
6	*A1020 *A1021	1 -	Hose Assembly, 3/8" x 48", 4 Row 30" Hose Assembly, 3/8" x 56", 4 Row 36"/38"
7	---	-	See "Slave Lift Cylinder" on page P69
8	G2701-08	2	Bulkhead Elbow, 90°, 3/4"-16 Male JIC
9	G306-08	2	Lock Nut, 3/4"-16
10	*A1076	2	Hose Assembly, 3/8" x 30"
11	*A3135	2	Hose Assembly, 3/8" x 100"
12	G2603-08-08-06	2	Tee, 3/4"-16 Male JIC To 1/2"-18 JIC
13	G6500-06	-	Swivel Elbow, 90°, 1/2"-18 Male JIC To Female
14	*A1138	2	Hose Assembly, 1/4" x 29"
15	G6502-06	2	Swivel Elbow, 45°, 1/2"-18 Male JIC To Female
16	---	-	See "Row Marker Sequencing/Flow Control Valve" on page P75
17	G6801-08 GR1037	2 -	Elbow W/O-Ring, 90°, 3/4"-16 Male JIC To O-Ring O-Ring
18	*A3211	1	Hose Assembly, 3/8" x 66", W/Interplant Package
19	*A1020	1	Hose Assembly, 3/8" x 48", W/Interplant Package
20	---	-	See "Row Marker Cylinder. 4 Row 30"/36"/38" and 6 Row 30"" on page P71
21	G6801-06-08 GR1037	4 -	Elbow W/O-Ring, 90°, 1/2"-18 Male JIC To 3/4"-16 O-Ring O-Ring
22	*A1102 *A1171	2 -	Hose Assembly, 1/4" x 95", 4 Row 30" Hose Assembly, 1/4" x 108", 4 Row 36"/38"
23	*A1170 *A1150	2 -	Hose Assembly, 1/4" x 90", 4 Row 30" Hose Assembly, 1/4" x 103", 4 Row 36"/38"
24	*A1076	1	Hose Assembly, 3/8" x 30", W/Interplant Package
25	*A1182 *A1177	- -	Hose Assembly, 1/4" x 30", W/Double Frame Package Hose Assembly, 1/4" x 24", W/Hitch Extensions
26	*A3142 *A3147	- -	Hose Assembly, 3/8" x 30", W/Double Frame Package Hose Assembly, 3/8" x 24", W/Hitch Extensions
27	G2403-08	2	Union, 3/4"-16 Male JIC
28	*A1173	2	Hose Assembly, 1/4" x 100"
29	---	-	See "Interplant Lift Cylinder" on page P70
30	*A1179	2	Hose Assembly, 1/4" x 56", W/Interplant Package
31	*A1182	1	Hose Assembly, 1/4" x 30", W/Double Frame Package
32	*A1153	1	Hose Assembly, 1/4" x 56", W/Interplant Package
33	G2403-06	1	Union, 1/2"-18 Male JIC, W/Interplant Package
34	G2403-08	1	Union, 3/4"-16 Male JIC, W/Interplant Package

* Hydraulic hose is not stocked by Kinze Repair Parts, but can be made available on a special order basis. Call for quote.

Single Valve



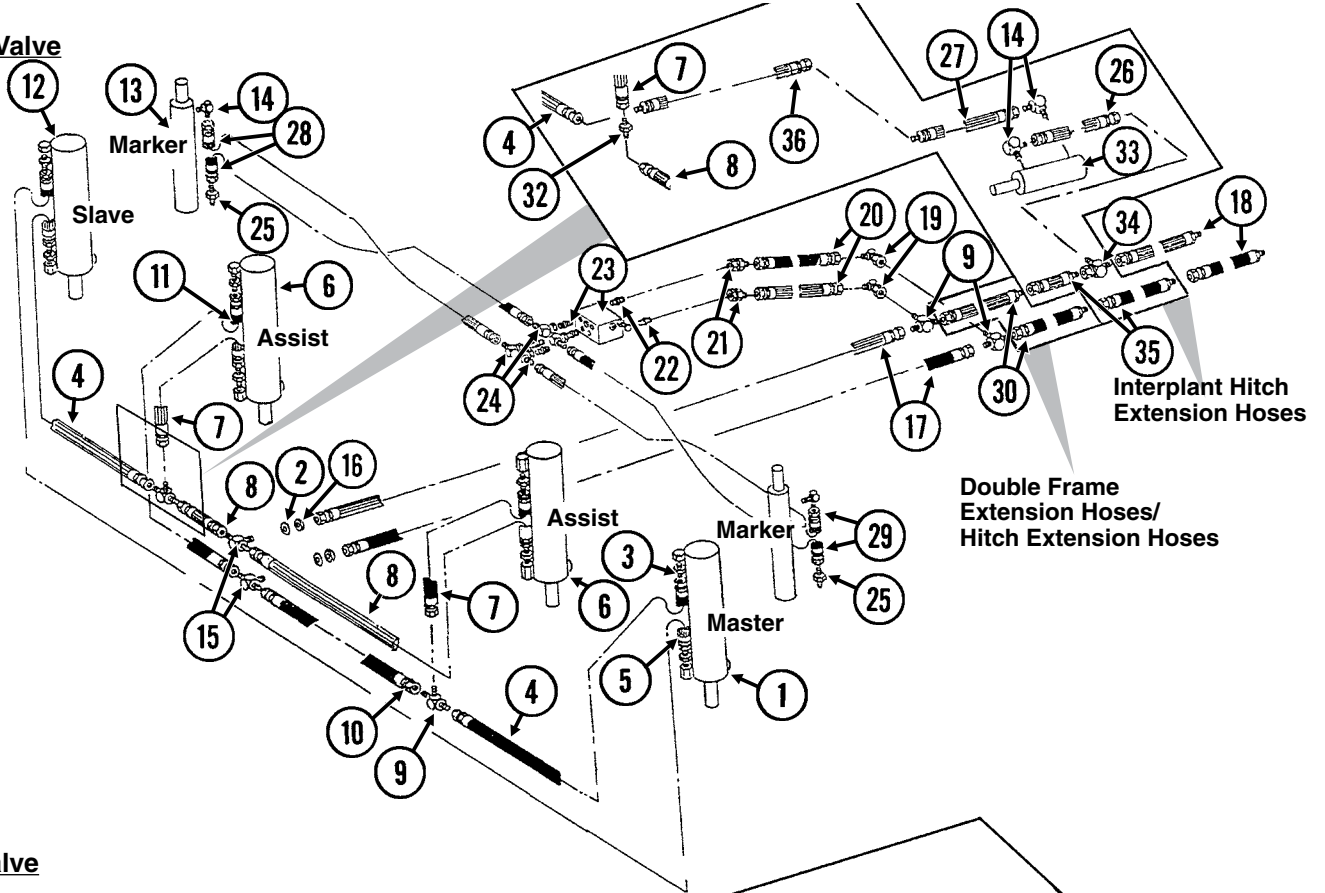
Dual Valve



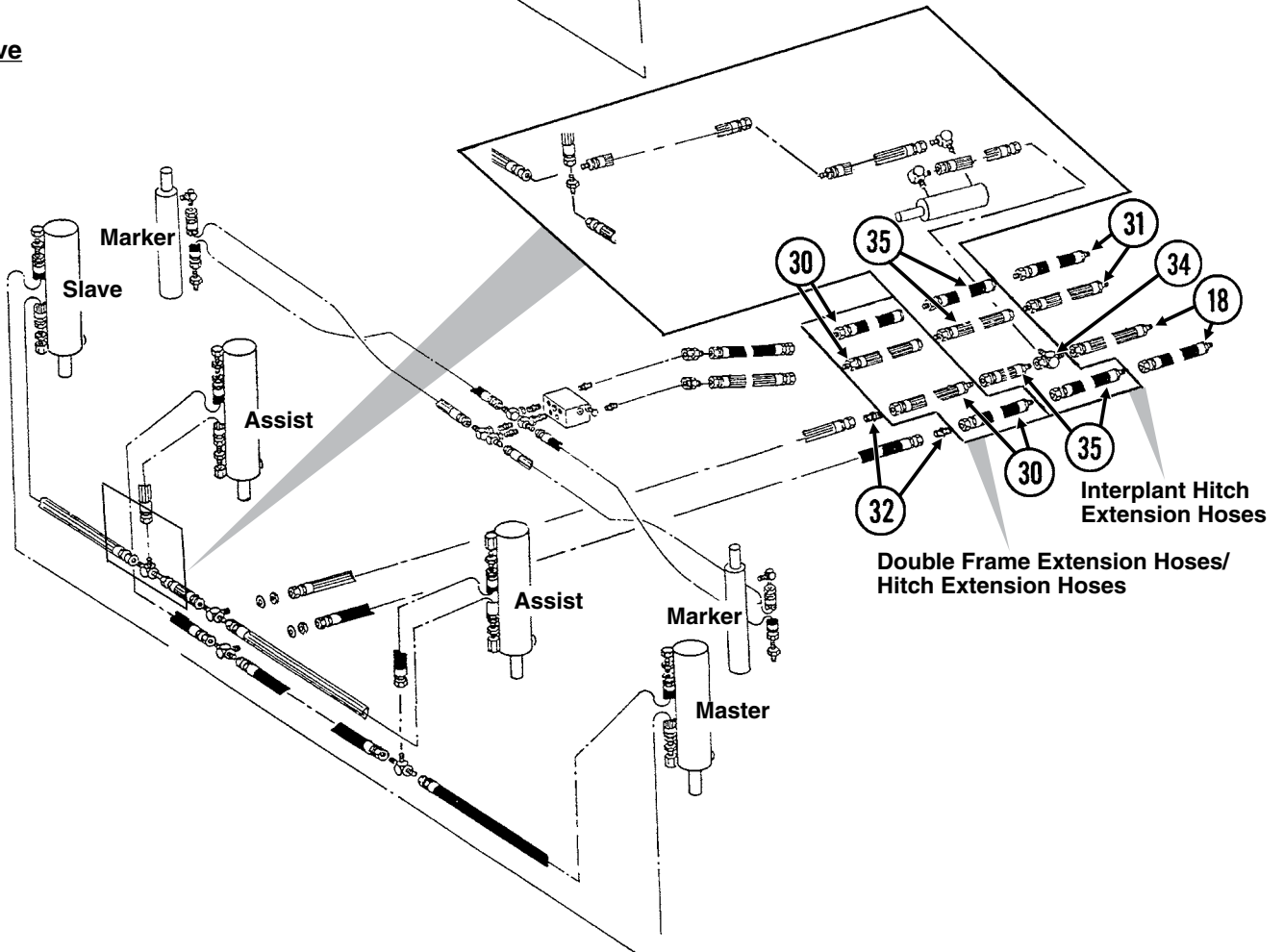
ITEM	PART NO.	QTY.	DESCRIPTION
1	---	-	See "Master Lift Cylinder" on page P68
2	G10215	2	Machine Bushing, 3/4", 14 Gauge
3	G6400-08 GR1037	8 -	Connector W/O-Ring, 3/4"-16 Male JIC To O-Ring O-Ring
4	*A1018	2	Hose Assembly, 3/8" x 40"
5	*A3115	1	Hose Assembly, 3/8" x 146"
6	---	-	See "Lift Assist Cylinder, 6 Row 30"/36"/38" and 8 Row 30"" on page P70
7	*A1000	2	Hose Assembly, 3/8" x 15"
8	*A3119	1	Hose Assembly, 3/8" x 36"
9	G2603-08	2	Tee, 3/4"-16 Male JIC
10	*A1086	1	Hose Assembly, 3/8" x 28"
11	*A1019	1	Hose Assembly, 3/8" x 44"
12	---	-	See "Slave Lift Cylinder" on page P69
13	---	-	See "Row Marker Cylinder, 4 Row 30"/36"/38" and 6 Row 30"" on page P71
14	G6801-06-08 GR1037	4 -	Elbow W/O-Ring, 90°, 9/16"-18 Male JIC To 3/4"-16 O-Ring O-Ring
15	G2703-08	2	Bulkhead Tee, 3/4"-16 Male JIC
16	G306-08	2	Lock Nut, 3/4"-16
17	*A1076	2	Hose Assembly, 3/8" x 30"
18	*A3135	2	Hose Assembly, 3/8" x 100"
19	G2603-08-08-06	2	Tee, 3/4"-16 Male JIC To 9/16"-18 JIC
20	G6500-06	2	Swivel Elbow, 90°, 9/16"-18 Male JIC To Female
21	*A1138	2	Hose Assembly, 1/4" x 29"
22	G6502-06	2	Swivel Elbow, 45°, 9/16"-18 Male JIC To Female
23	---	-	See "Row Marker Sequencing/Flow Control Valve" on page P75
24	G2403-08	1	Union, 3/4"-16 Male JIC
25	G6602-08	1	Swivel Tee, 3/4"-16 JIC
26	*A3208	1	Hose Assembly, 3/8" x 140", W/Interplant Package
27	*A1168	2	Hose Assembly, 1/4" x 120"
28	*A1105	2	Hose Assembly, 1/4" x 125"
29	*A1182	-	Hose Assembly, 1/4" x 30", W/Double Frame Package
	*A1177	-	Hose Assembly, 1/4" x 24", W/Hitch Extensions
30	*A3142	-	Hose Assembly, 3/8" x 30", W/Double Frame Package
	*A3147	-	Hose Assembly, 3/8" x 24", W/Hitch Extensions
31	*A1173	2	Hose Assembly, 1/4" x 100"
32	---	-	See "Interplant Lift Cylinder" on page P68
33	G6801-08 GR1037	2 -	Elbow W/O-Ring, 90°, 3/4"-16 Male JIC To O-Ring O-Ring
34	*A1076	1	Hose Assembly, 3/8" x 30", W/Interplant Package
35	*A3150	2	Hose Assembly, 3/8" x 56", W/Interplant Package
36	*A1179	2	Hose Assembly, 1/4" x 56", W/Interplant Package
37	*A3142	1	Hose Assembly, 3/8" x 30", W/Interplant Package (Double Frame Only)
38	*A3175	1	Hose Assembly, 3/8" x 38"

* Hydraulic hose is not stocked by Kinze Repair Parts, but can be made available on a special order basis. Call for quote.

Single Valve



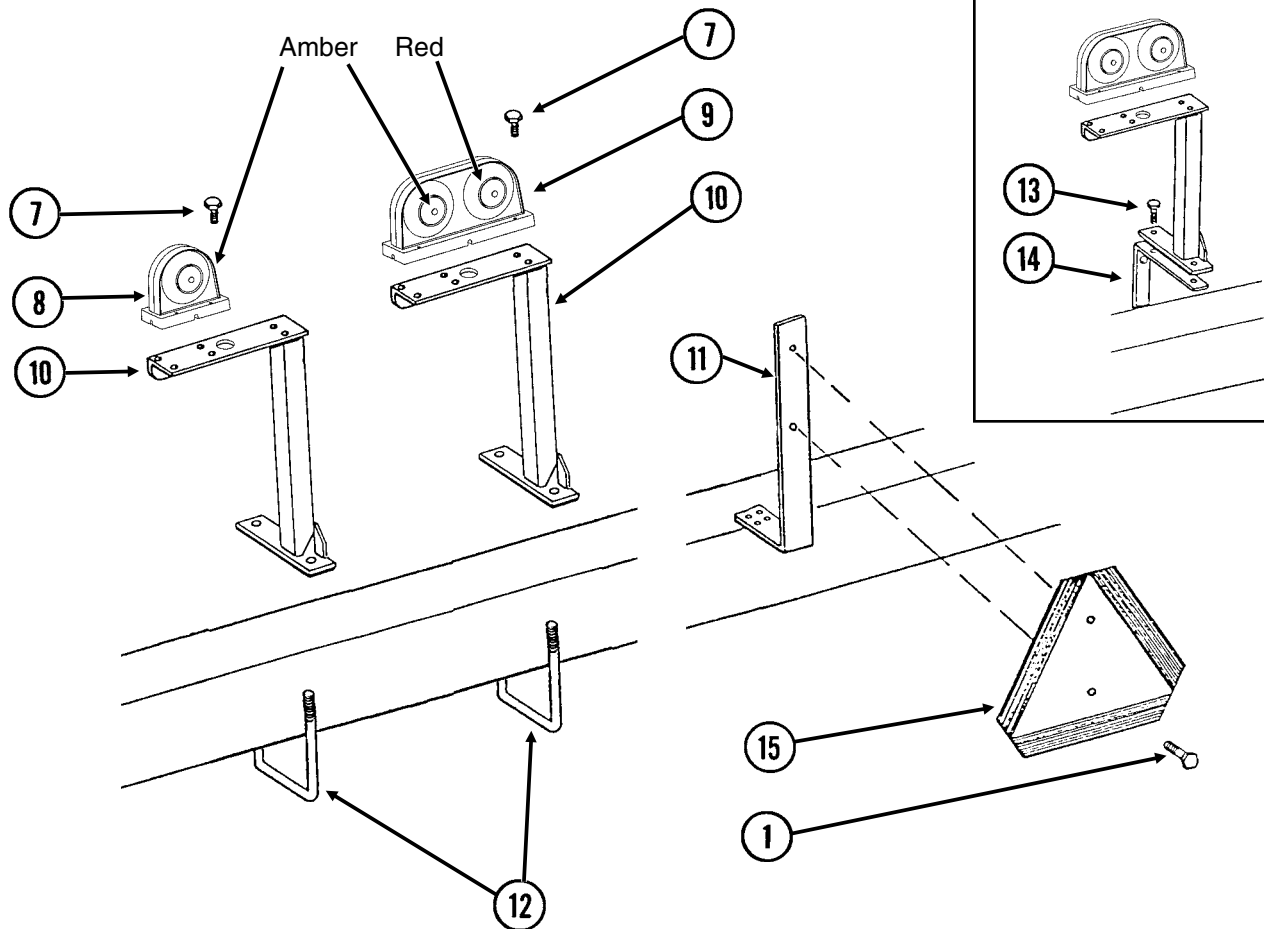
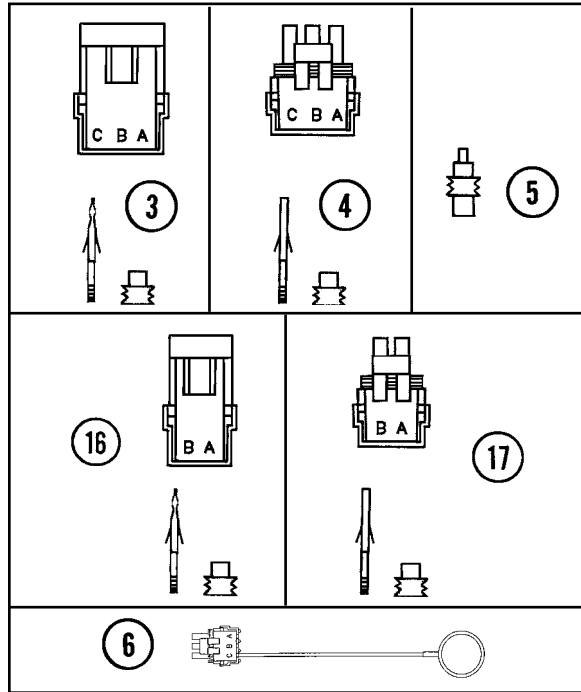
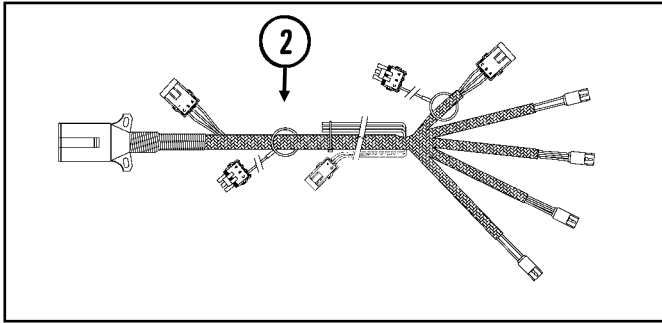
Dual Valve



ITEM	PART NO.	QTY.	DESCRIPTION
1	---	-	See "Master Lift Cylinder" on page P68
2	G10215	2	Machine Bushing, 3/4", 14 Gauge
3	G6400-08 GR1037	8 -	Connector W/O-Ring, 3/4"-16 Male JIC To O-Ring O-Ring
4	*A1020 *A1018	2 -	Hose Assembly, 3/8" x 48", 6 Row 36"/38" Hose Assembly, 3/8" x 40", 8 Row 30"
5	*A3132 *A1054	1 -	Hose Assembly, 3/8" x 178", 6 Row 36"/38" Hose Assembly, 3/8" x 204", 8 Row 30"
6	---	-	See "Lift Assist Cylinder, 6 Row 30"/36"/38" and 8 Row 30" on page P70
7	*A1000	2	Hose Assembly, 3/8" x 15"
8	*A1019 *A1055	2 -	Hose Assembly, 3/8" x 44", 6 Row 36"/38" Hose Assembly, 3/8" x 66", 8 Row 30"
9	G2603-08	2	Tee, 3/4"-16 Male JIC
10	*A1044 *A1021	1 -	Hose Assembly, 3/8" x 34", 6 Row 36"/38" Hose Assembly, 3/8" x 56", 8 Row 30"
11	*A3128 *A1039	1 -	Hose Assembly, 3/8" x 52", 6 Row 36"/38" Hose Assembly, 3/8" x 76", 8 Row 30"
12	---	-	See "Slave Lift Cylinder" on page P69
13	---	-	See "Row Marker Cylinder, 6 Row 36"/38" and 8 Row 30" on page P72
14	G6801-08 GR1037	2 -	Elbow W/O-Ring, 90°, 3/4"-16 Male JIC To O-Ring O-Ring
15	G2703-08	2	Bulkhead Tee, 3/4"-16 Male JIC
16	G306-08	2	Lock Nut, 3/4"-16
17	*A1076	2	Hose Assembly, 3/8" x 30"
18	*A3135	2	Hose Assembly, 3/8" x 100"
19	G6500-08	2	Swivel Elbow, 90°, 3/4"-16 Male JIC To Female
20	*A1079	2	Hose Assembly, 3/8" x 24"
21	G6502-08	2	Swivel Elbow, 45°, 3/4"-16 Male JIC To Female
22	G6400-08-06 GR1045	2 -	Connector W/O-Ring, 3/4"-16 Male JIC To 1/2"-18 O-Ring O-Ring
23	---	-	See "Row Marker Sequencing/Flow Control Valve" on page P75
24	G6500-08-06	2	Swivel Elbow, 90°, 3/4"-16 Male JIC To 1/2"-18 Female
25	G6400-08 GR1037 G6400-08-04 GR1465	2 - - -	Connector W/O-Ring, 3/4"-16 Male JIC To O-Ring O-Ring Connector W/O-Ring, 3/4"-16 Male JIC To 7/16"-20 O-Ring O-Ring
26	*A1076	1	Hose Assembly, 3/8" x 30", W/Interplant Package
27	*A3208 *A3209	1 1	Hose Assembly, 3/8" x 140", W/Interplant Package, 6 Row 36"/38" Hose Assembly, 3/8" x 170", W/Interplant Package, 8 Row 30"
28	*A1013 *A1090	2 -	Hose Assembly, 3/8" x 150", 6 Row 36"/38" Hose Assembly, 3/8" x 162", 8 Row 30"
29	*A3137 *A3114	2 -	Hose Assembly, 3/8" x 140", 6 Row 36"/38" Hose Assembly, 3/8" x 156", 8 Row 30"
30	*A3142 *A3147	- -	Hose Assembly, 3/8" x 30", W/Double Frame Package Hose Assembly, 3/8" x 24", W/Hitch Extensions
31	*A3143	2	Hose Assembly, 3/8" x 100"
32	G2403-08	-	Union, 3/4"-16 Male JIC
33	---	-	See "Interplant Lift Cylinder" on page P70
34	G6602-08	1	Swivel Tee, 3/4"-16 JIC
35	*A3150	2-4	Hose Assembly, 3/8" x 56", W/Interplant Package
36	*A3142	1	Hose Assembly, 3/8" x 30", W/Interplant Package (Double Frame Only)

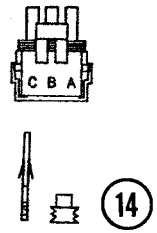
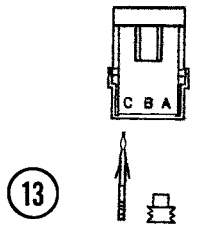
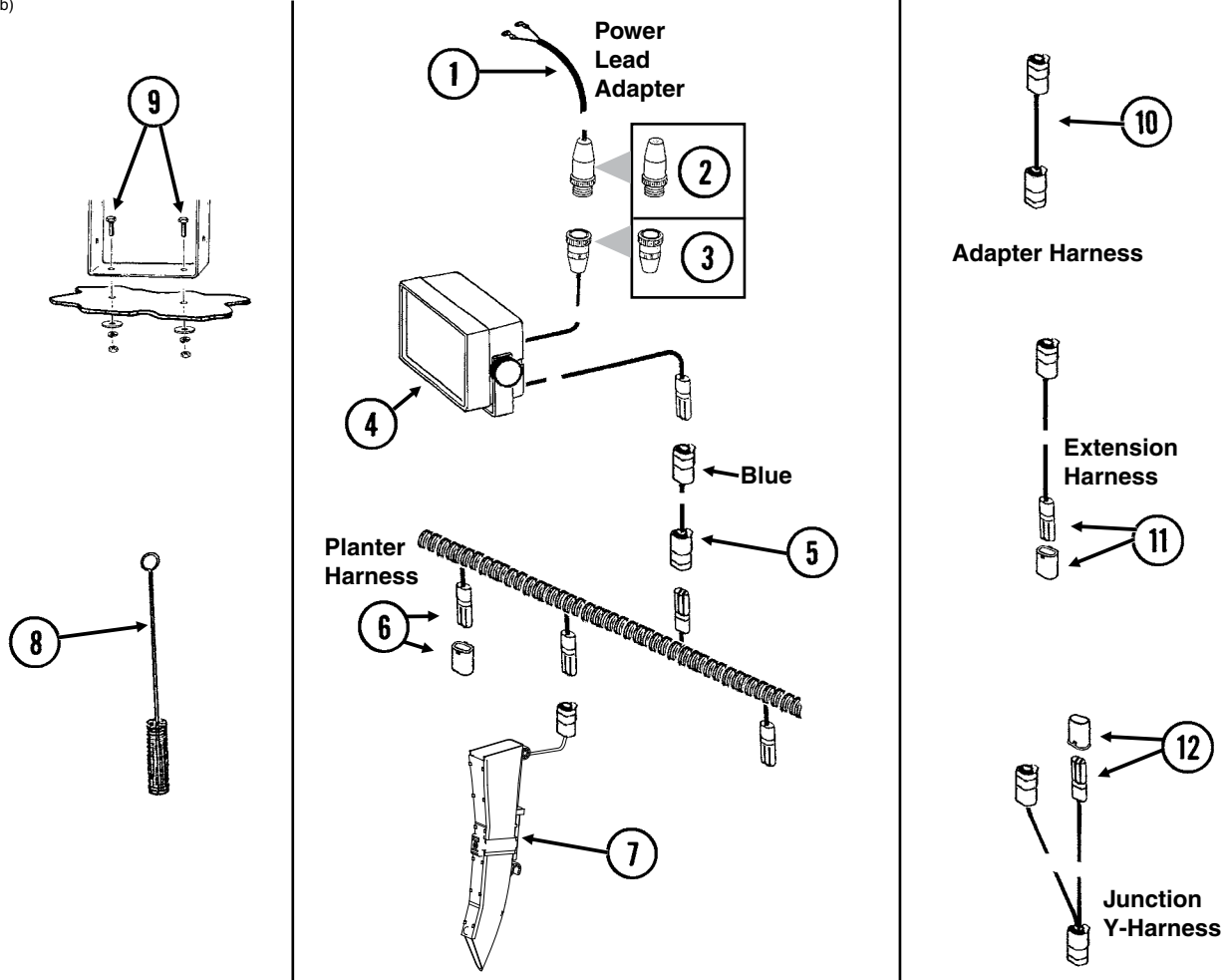
* Hydraulic hose is not stocked by Kinze Repair Parts, but can be made available on a special order basis. Call for quote.

PFA052/PFA055(ELC9/A9206a/MTR27a/ELC8/PT49f)



ITEM	PART NO.	QTY.	DESCRIPTION
1	G10023	2	Hex Head Cap Screw, 1/4"-20 x 3/4"
	G10110	2	Lock Nut, 1/4"-20, Grade B
2	GA9207	-	Wiring Harness W/7 Terminal Female Connector, 329", 4 Row 30"/36"/38" and 6 Row 30" (4 Light Connections)
	GA9206	-	Wiring Harness W/7 Terminal Female Connector, 396", 6 Row 36"/38" and 8 Row 30" (4 Light Connections)
	GA5385	-	7 Terminal Female Connector
3	G1K248	-	3-Pin Female Connector Kit (Black), Includes: (3) 3-Pin Female Housings, (9) Pin Contacts, (9) Seals
4	G1K252	-	3-Pin Male Connector Kit (Black), Includes: (3) 3-Pin Male Housings, (9) Socket Contacts, (9) Seals
5	GD11089	-	Sealing Plug
6	GA8047	-	Dust Plug (Black)
7	G10064	8-16	Hex Head Cap Screw, 1/4"-20 x 1"
	G11385	8-16	Flat Washer, 1/4" SAE
	G10110	8-16	Lock Nut, 1/4"-20, Grade B
8	GA6701	1	Single Amber Light Assembly
	GR1956	-	Amber Lens Kit, Includes: (1) Amber Lens, (1) Gasket, and (3) Hex Head Cap Screws
	GR1208	-	Bulb
9	GA6699	1	Double Light Assembly
	GA6700	1	Double Light Assembly (Shown)
	GR1956	-	Amber Lens Kit, Includes: (1) Amber Lens, (1) Gasket, and (3) Hex Head Cap Screws
	GR1957	-	Red Lens Kit, Includes: (1) Red Lens, (1) Gasket, and (3) Hex Head Cap Screws
	GR1958	-	Black Cover Kit, Includes: (1) Black Cover, (1) Gasket, and (3) Hex Head Cap Screws
	GR1208	-	Bulb
10	GA6823	1	Bracket, L.H. (Shown)
	GA6824	1	Bracket, R.H.
11	GD7152	1	Bracket
12	GD7145	2-4	U-Bolt, 7" x 7" x 1/2"-13
	G10228	4-8	Lock Washer, 1/2"
	G10102	4-8	Hex Nut, 1/2"-13
13	G10039	-	Hex Head Cap Screw, 1/2"-13 x 1 3/4"
	G10228	-	Lock Washer, 1/2"
	G10102	-	Hex Nut, 1/2"-13
14	GD8304	-	Bracket (Used To Mount Light Bracket When HD Single Disc Fertilizer Openers Are Used)
15	GD2199	1	SMV Sign
16	G1K321	-	2-Pin Female Connector Kit (Black), Includes: (3) 2-Pin Female Housings, (6) Pin Contacts, (6) Seals
17	G1K320	-	2-Pin Male Connector Kit (Black), Includes: (3) 2-Pin Male Housings, (6) Socket Contacts, (6) Seals

(MTR46b)



15



16

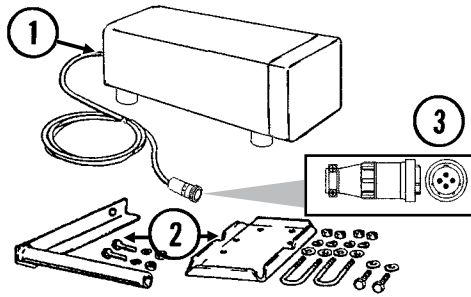


17

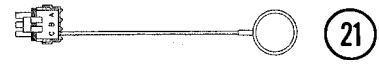
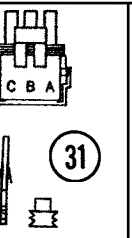
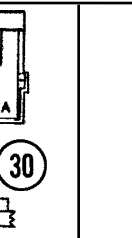
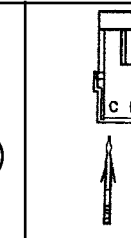
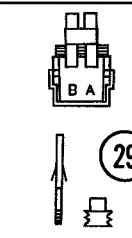
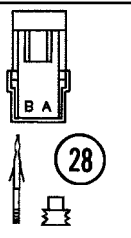
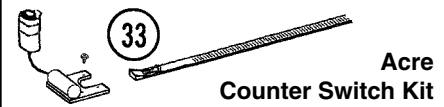
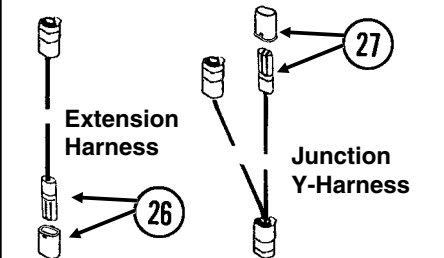
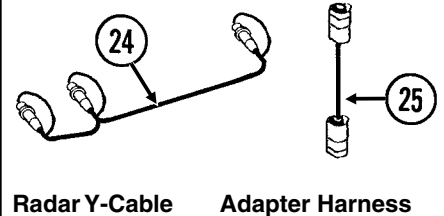
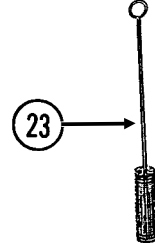
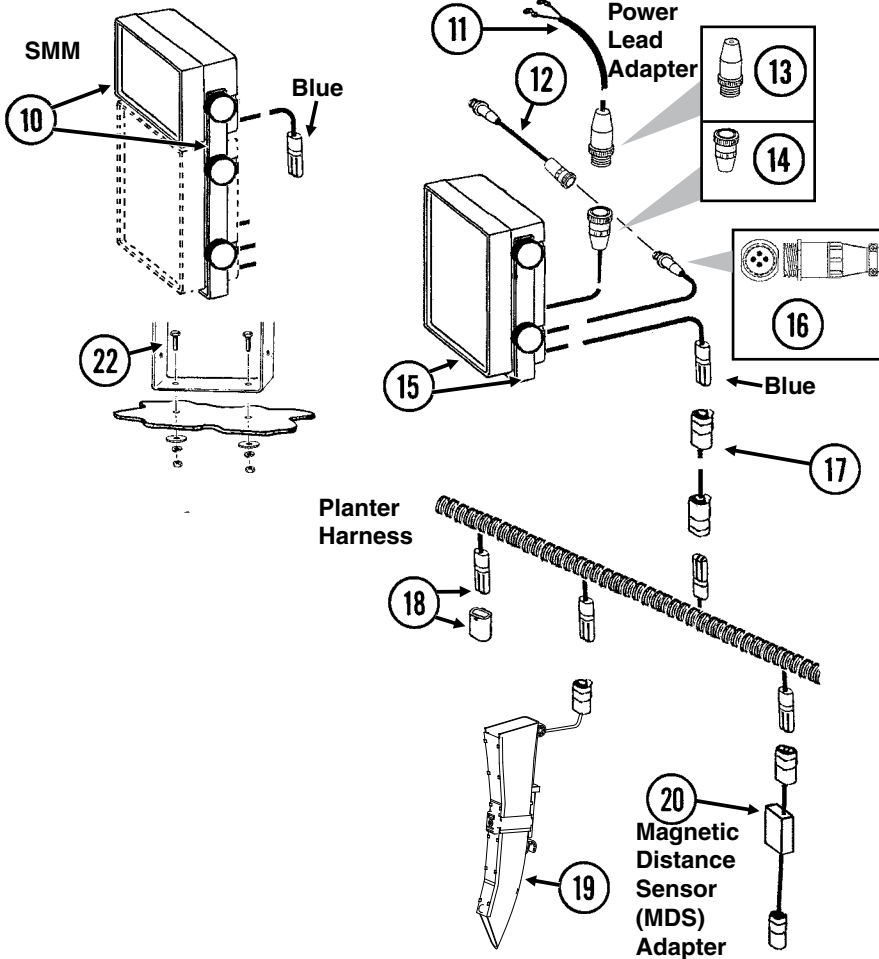
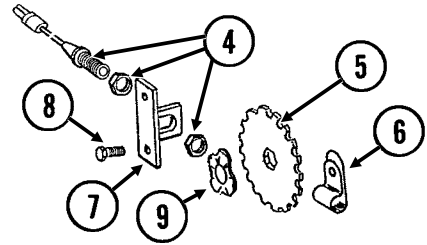
ITEM	PART NO.	QTY.	DESCRIPTION
1	GA7856	1	Power Lead Adapter
2	G1K267	-	Power Lead Adapter Connector Kit, Includes: (1) Cable Clamp, (1) 3-Pin Connector, (3) Male Terminal Pins
3	G1K268	-	Console Cable Connector Kit, Includes: (1) Cable Clamp, (1) 3-Pin Connector, (1) Lock Ring, (3) Female Terminal Pins
4	GA10570	1	KPM I Backlit Console W/Mounting Bracket, Fuse Holder and Fuse, Power Lead Adapter (Item 11), Brush (Item 23) and Dust Plug (Item 34)
	GR1390	-	Mounting Bracket, KPM I
	GR1392	-	Console Mounting Bracket Hardware Package (Includes 2 Knobs and ¼" Hardware)
	GA10601	-	Fuse Holder
	GD7639	-	Fuse
5	---	-	Included In Planter Wiring Harness, See Item 2, on page P83
6	GA8021	-	Planter Harness W/Dust Caps, 4 Row (7 Connectors)
	GA8022	-	Planter Harness W/Dust Caps, 6 Row (9 Connectors)
	GA7850	-	Planter Harness W/Dust Caps, 8 Row (12 Connectors)
	GD11993	-	Dust Cap
7	GA21515	-	Seed Tube W/Computerized Sensor (Shown)
	GA20902	-	Seed Tube (With Holes For Sensor Installation)
8	GR0594	-	Brush
9	G10022	2	Hex Head Cap Screw, ¼"-20 x ½"
	G11385	2	Flat Washer, ¼" SAE
	G10227	2	Lock Washer, ¼"
	G10103	2	Hex Nut, ¼"-20
10	GA7857	-	Adapter Harness, 1'
11	GA7854	-	Extension Harness W/Dust Cap, 15'
	GA7855	-	Extension Harness W/Dust Cap, 30'
	GD11993	-	Dust Cap
12	GA7853	-	Junction Y-Harness W/Dust Cap
	GD11993	-	Dust Cap
13	G1K248	-	3-Pin Female Connector Kit (Black), Includes: (3) 3-Pin Female Housings, (9) Pin Contacts, (9) Seals
	G1K362	-	3-Pin Female Connector Kit (Blue), Includes: (3) 3-Pin Female Housings, (9) Pin Contacts, (9) Seals
14	G1K252	-	3-Pin Male Connector Kit (Black), Includes: (3) 3-Pin Male Housings, (9) Socket Contacts, (9) Seals
	G1K363	-	3-Pin Male Connector Kit (Blue), Includes: (3) 3-Pin Male Housings, (9) Socket Contacts, (9) Seals
15	GD11089	-	Sealing Plug
16	GA8046	-	Dust Plug (Black)
	GA9978	-	Dust Plug (Blue)
17	GA8047	-	Dust Plug (Black)
	GA9979	-	Dust Plug (Blue)

(MTR46d/A10901a)

Radar Distance Sensor



Magnetic Distance Sensor (MDS)

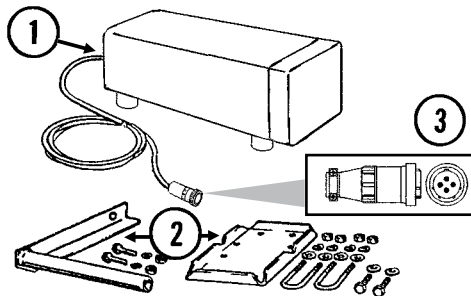


ITEM	PART NO.	QTY.	DESCRIPTION
1	GA7858	-	Radar Distance Sensor W/20' Cable
2	GA8026	-	Radar Sensor Pipe/Mounting Bracket Package
3	G1K323	-	4-Pin Connector Kit W/Female Housing, Includes: (4) Pins and (1) Cable Clamp
4	GA5600	1	Magnetic Distance Sensor
5	GD8751	-	Magnetic Distance Sensor Pulse Wheel
6	GD6291	-	Insulated Clamp, 3/8"

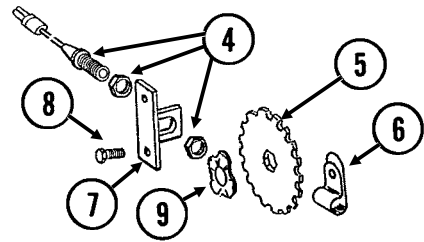
ITEM	PART NO.	QTY.	DESCRIPTION
7	GD8770	1	Bracket
8	G10001	2	Hex Head Cap Screw, 3/8"-16 x 1"
	G10229	2	Lock Washer, 3/8"
	G10101	2	Hex Nut, 3/8"-16
9	GD8771	1	Spring Wave Washer
10	GA9857	1	SMM Backlit Console W/Mounting Bracket and Dust Plug (Item 36)
	GR1631	-	Mounting Bracket, KPM II Stack-Mode and SMM Consoles
	GR1632	-	Console Mounting Bracket Hardware Package (Includes 2 Knobs and 1/4" Hardware)
11	GA7856	1	Power Lead Adapter
12	GA9144	-	Monitor/Radar Adapter Cable, 10"
13	G1K267	-	Power Lead Adapter Connector Kit, Includes: (1) Cable Clamp, (1) 3-Pin Connector, (3) Male Terminal Pins
14	G1K268	-	Console Cable Connector Kit, Includes: (1) Cable Clamp, (1) 3-Pin Connector, (1) Lock Ring, (3) Female Terminal Pins
15	GA10575	-	KPM II Backlit Console W/Mounting Bracket, Fuse Holder and Fuse, Power Lead Adapter (Item 11), Brush (Item 23), Dust Plug (Item 34) and Monitor/Radar Adapter, 10" (Item 12)
	GR1391	-	Mounting Bracket, KPM II
	GR1393	-	Console Mounting Bracket Hardware Package (Includes 4 Knobs and 1/4" Hardware)
	GA10601	-	Fuse Holder
	GD7639	-	Fuse
16	G1K322	-	4-Pin Connector Kit W/Male Housing, (4) Female Socket Contacts and (1) Cable Clamp
17	---	-	Included In Planter Wiring Harness, See Item 2, on page P83
18	GA8021	-	Planter Harness W/Dust Caps, 4 Row (7 Connectors)
	GA8022	-	Planter Harness W/Dust Caps, 6 Row (9 Connectors)
	GA7850	-	Planter Harness W/Dust Caps, 8 Row (12 Connectors)
	GD11993	-	Dust Cap
19	GA21515	-	Seed Tube W/Computerized Sensor
	GA20902	-	Seed Tube (With Holes For Sensor Installation)
20	GA7859	1	Magnetic Distance Sensor Adapter (Analog To Digital)
21	GA8047	-	Dust Plug (Black)
	GA9979	-	Dust Plug (Blue)
22	G10022	2	Hex Head Cap Screw, 1/4"-20 x 1/2"
	G11385	2	Flat Washer, 1/4" SAE
	G10227	2	Lock Washer, 1/4"
	G10103	2	Hex Nut, 1/4"-20
23	GR0594	-	Brush
24	GR0586	1	Radar Y-Cable (Used To Connect Radar Distance Sensor For Multiple Functions)
25	GA7857	-	Adapter Harness, 1'
26	GA7854	-	Extension Harness W/Dust Cap, 15'
	GA7855	-	Extension Harness W/Dust Cap, 30'
	GD11993	-	Dust Cap
27	GA7853	-	Junction Y-Harness W/Dust Cap
	GD11993	-	Dust Cap
28	G1K321	-	2-Pin Female Connector Kit (Black), Includes: (3) 2-Pin Female Housings, (6) Pin Contacts, (6) Seals
29	G1K320	-	2-Pin Male Connector Kit (Black), Includes: (3) 2-Pin Male Housings, (6) Socket Contacts, (6) Seals
30	G1K248	-	3-Pin Female Connector Kit (Black), Includes: (3) 3-Pin Female Housings, (9) Pin Contacts, (9) Seals
	G1K362	-	3-Pin Female Connector Kit (Blue), Includes: (3) 3-Pin Female Housings, (9) Pin Contacts, (9) Seals
31	G1K252	-	3-Pin Male Connector Kit (Black), Includes: (3) 3-Pin Male Housings, (9) Socket Contacts, (9) Seals
	G1K363	-	3-Pin Male Connector Kit (Blue), Includes: (3) 3-Pin Male Housings, (9) Socket Contacts, (9) Seals
32	GD11089	-	Sealing Plug
33	G1K249	-	Acre Counter Switch Kit
34	GA8046	-	Dust Plug (Black)
	GA9978	-	Dust Plug (Blue)
A	GA6147	-	Magnetic Distance Sensor and Mounting Package (Items 4-9)

(MTR46dd)

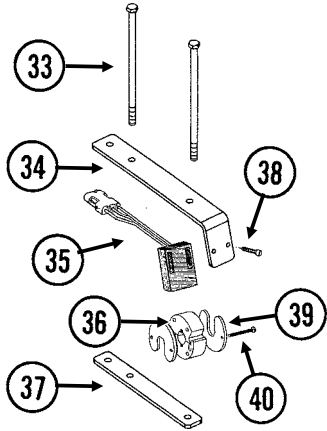
Radar Distance Sensor



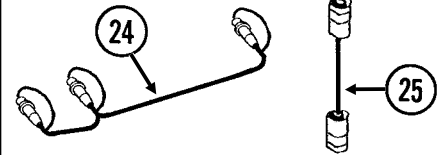
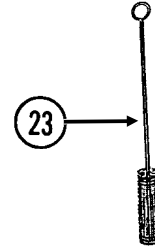
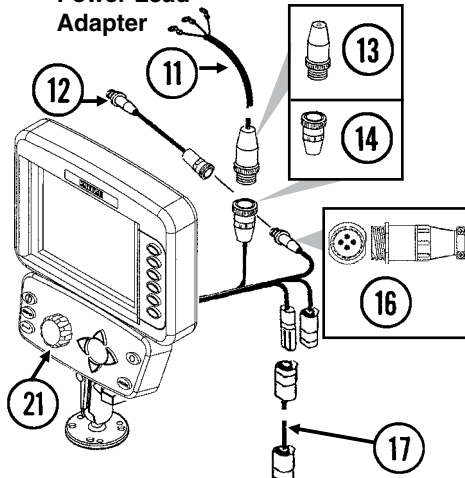
Magnetic Distance Sensor (MDS)



Shaft Rotation Sensor



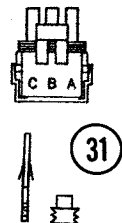
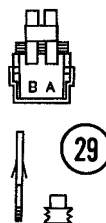
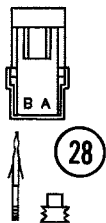
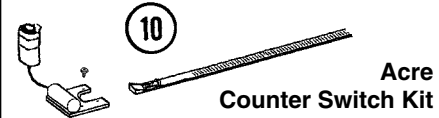
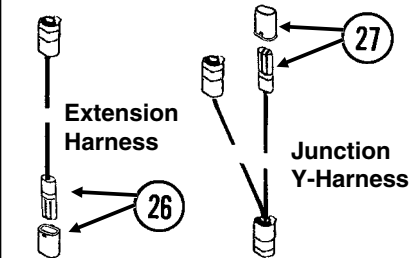
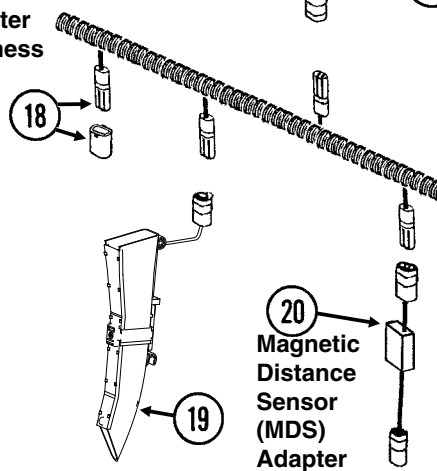
Power Lead Adapter



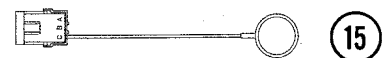
Radar Y-Cable

Adapter Harness

Planter Harness



32

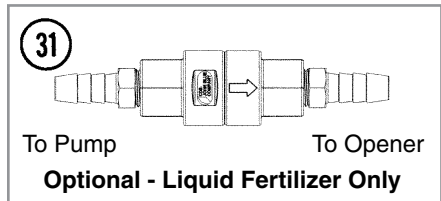
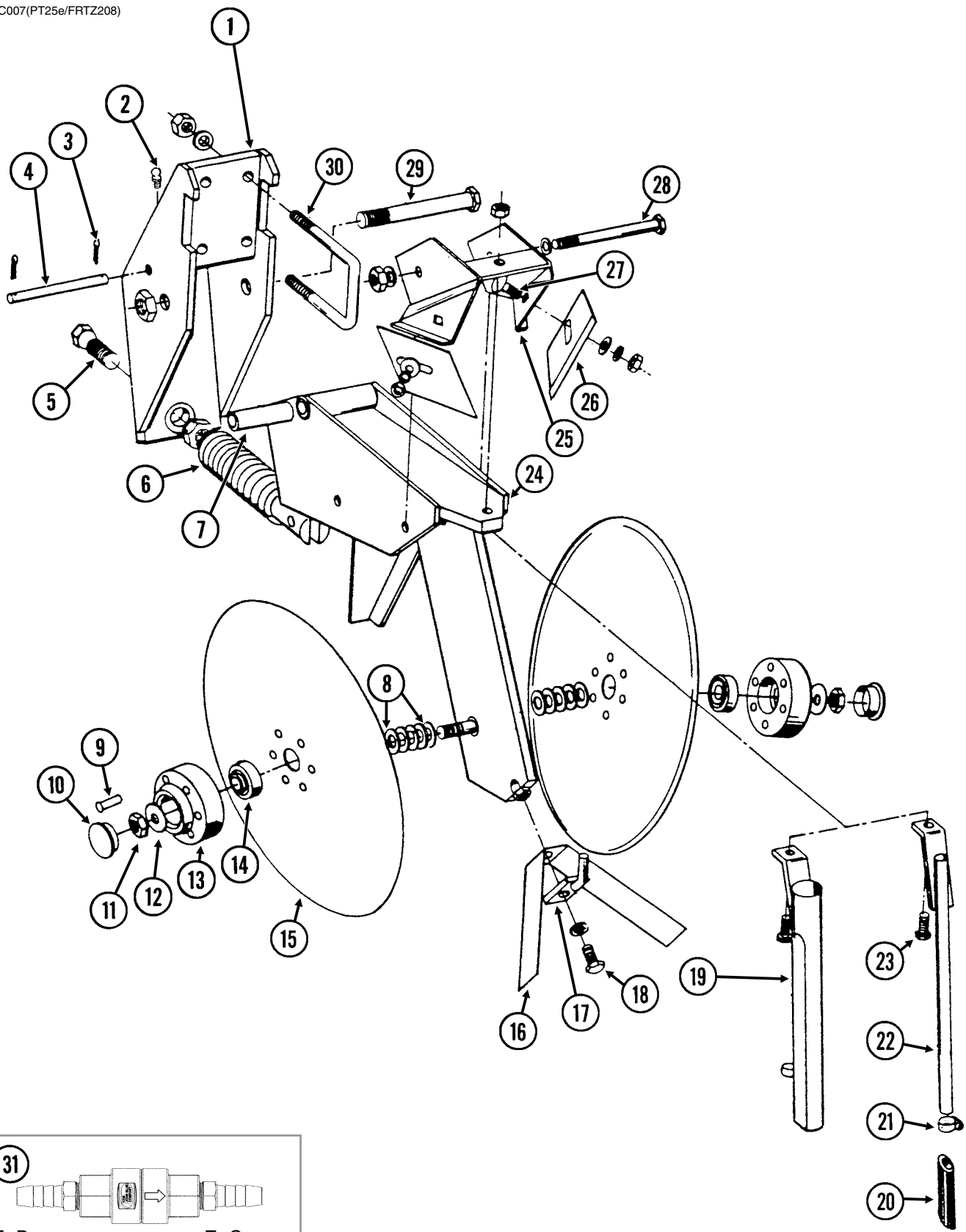


ITEM	PART NO.	QTY.	DESCRIPTION
1	GA7858	-	Radar Distance Sensor W/20' Cable
2	GA8026	-	Radar Sensor Pipe/Mounting Bracket Package
3	G1K323	-	4-Pin Connector Kit W/Female Housing, Includes: (4) Pins and (1) Cable Clamp
4	GA5600	1	Magnetic Distance Sensor
5	GD8751	-	Magnetic Distance Sensor Pulse Wheel
6	GD13348	-	Insulated Clamp, 1 ¹ / ₁₆ "
7	GD8770	1	Bracket
8	G10001	2	Hex Head Cap Screw, 3/8"-16 x 1"
	G10229	2	Lock Washer, 3/8"
	G10101	2	Hex Nut, 3/8"-16
9	GD8771	1	Spring Wave Washer
10	G1K249	-	Acre Counter Switch Kit
11	GA7856	1	Power Lead Adapter
12	GA9144	-	Monitor/Radar Adapter Cable, 10"
13	G1K267	-	Power Lead Adapter Connector Kit, Includes: (1) Cable Clamp, (1) 3-Pin Connector, (3) Male Terminal Pins
14	G1K268	-	Console Cable Connector Kit, Includes: (1) Cable Clamp, (1) 3-Pin Connector, (1) Lock Ring, (3) Female Terminal Pins
15	GA8046	-	Dust Plug (Black)
	GA9978	-	Dust Plug (Blue)
16	G1K322	-	4-Pin Connector Kit W/Male Housing, (4) Female Socket Contacts and (1) Cable Clamp
17	---	-	Included In Planter Wiring Harness, See Item 2, on page P83
18	GA8021	-	Planter Harness W/Dust Caps, 4 Row (7 Connectors)
	GA8022	-	Planter Harness W/Dust Caps, 6 Row (9 Connectors) (6 Row Mechanical)
	GA7850	-	Planter Harness W/Dust Caps, 8 Row (12 Connectors) (6 Row Vacuum, 8 Row Mechanical/Vacuum)
	GD11993	-	Dust Cap
19	GA21515	-	Seed Tube W/Computerized Sensor
	GA20902	-	Seed Tube (With Holes For Sensor Installation)
20	GA7859	1	Magnetic Distance Sensor Adapter (Analog To Digital)
21	G8647x	1	KPM III Backlit Console W/Brush (Item 23), Dust Plug (Item 15), Console Mounting Bracket Hardware and Power Harness
	GA12403	-	Mounting Bracket Assembly, Includes: (2) Mounting Brackets, (2) Connector Halves, (1) Compression Spring, (1) Tension Knob, (1) 1/4"-20 x 1 3/4" Hex Head Cap Screw, (1) 1/4" Plastic Washer, (1) 1/4" Steel Washer
	GR1762	-	Console Mounting Bracket Hardware Package, Includes: (3) No. 10-32 x 5/8" Hex Socket Pan Head Plated Screw, (3) 1/4" Plated Lock Washers
	GA16082	-	Power Harness
22	GA8047	-	Dust Plug (Black)
	GA9979	-	Dust Plug (Blue)
23	GR0594	-	Brush
24	GR0586	1	Radar Y-Cable (Used To Connect Radar Distance Sensor For Multiple
25	GA7857	-	Adapter Harness, 1'
26	GA7854	-	Extension Harness W/Dust Cap, 15'
	GA7855	-	Extension Harness W/Dust Cap, 30'
	GD11993	-	Dust Cap
27	GA7853	-	Junction Y-Harness W/Dust Cap
	GD11993	-	Dust Cap
28	G1K321	-	2-Pin Female Connector Kit (Black), Includes: (3) 2-Pin Female Housings, (6) Pin Contacts, (6) Seals
29	G1K320	-	2-Pin Male Connector Kit (Black), Includes: (3) 2-Pin Male Housings, (6) Socket Contacts, (6) Seals

ITEM	PART NO.	QTY.	DESCRIPTION
30	G1K248	-	3-Pin Female Connector Kit (Black), Includes: (3) 3-Pin Female Housings, (9) Pin Contacts, (9) Seals
	G1K362	-	3-Pin Female Connector Kit (Blue), Includes: (3) 3-Pin Female Housings, (9) Pin Contacts, (9) Seals
31	G1K252	-	3-Pin Male Connector Kit (Black), Includes: (3) 3-Pin Male Housings, (9) Pin Contacts, (9) Seals
	G1K363	-	3-Pin Male Connector Kit (Blue), Includes: (3) 3-Pin Male Housings, (9) Pin Contacts, (9) Seals
32	GD11089	-	Sealing Plug
33	G10686	4	Hex Head Cap Screw, 3/8"-16 x 8"
	G10229	2	Lock Washer, 3/8"
	G10101	2	Hex Nut, 3/8"-16
34	GD18118	2	Shaft Sensor Mount
35	GR1415	1	Rotation Sensor
36	GR1414	1	Actuator
37	GD18168	2	Mount
38	G11288	2	Pan Head Screw, No. 10-32 x 1 1/2"
	G10243	2	Washer, No. 10 SAE
	G10758	2	Hex Nut, No. 10-32
39	GD11474	2	Cover
40	G10927	2	Pan Head Machine Screw, No. 8-32 x 1 1/4", Stainless Steel
	G10931	2	Lock Washer, No. 8, Internal/External, Stainless Steel
	G10928	2	Hex Nut, No. 8-32, Stainless Steel
A	GA6147	-	Magnetic Distance Sensor and Mounting Package (Items 4-9)
B	GR1763	-	KPM III Loaner (Display Only)
C	GA13521	-	Shaft Sensor Mounting Pkg. (Items 33, 34, and 37-40)
D	GA13522	-	Shaft Rotation Sensor (1 Sensor, 1 Actuator) (Items 35 and 36)

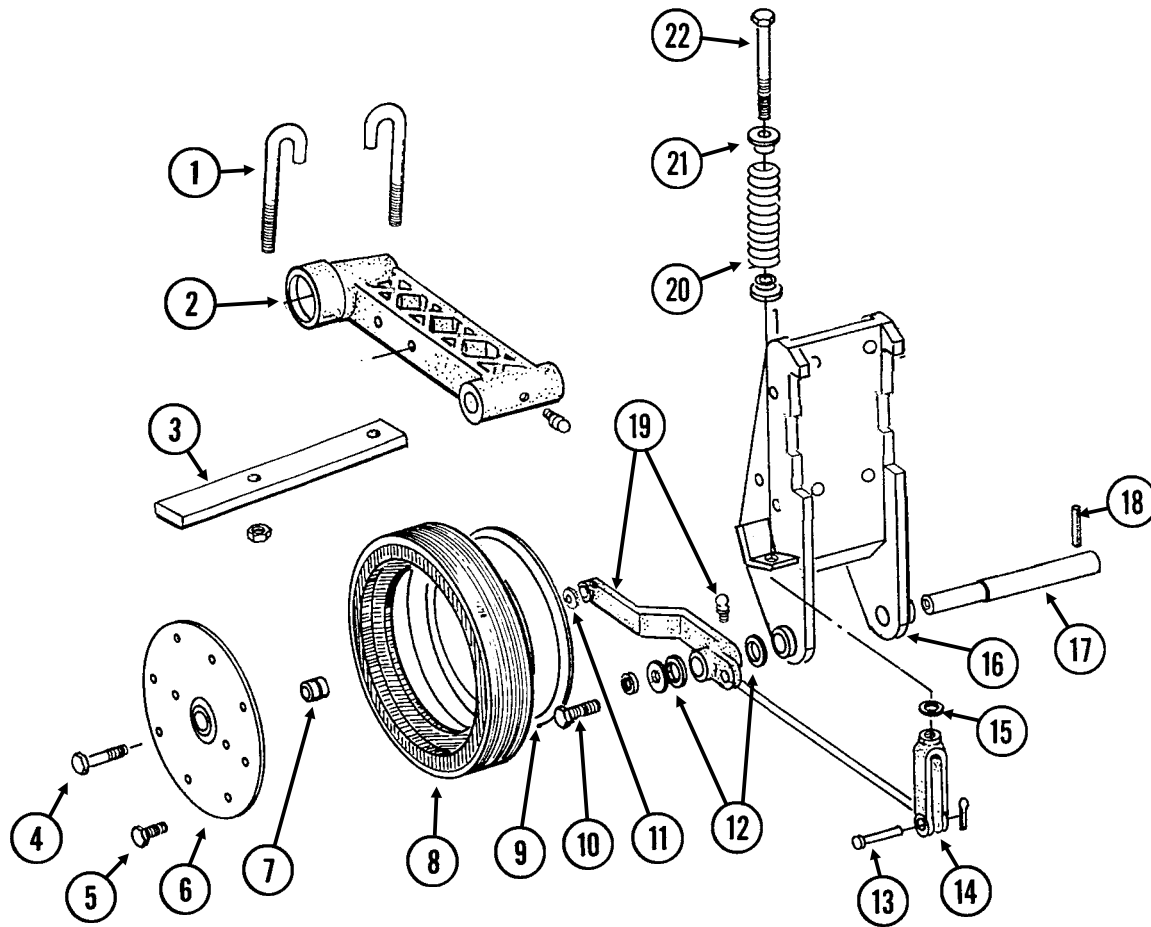
This page left blank intentionally.

FOC007(PT25e/FRTZ208)



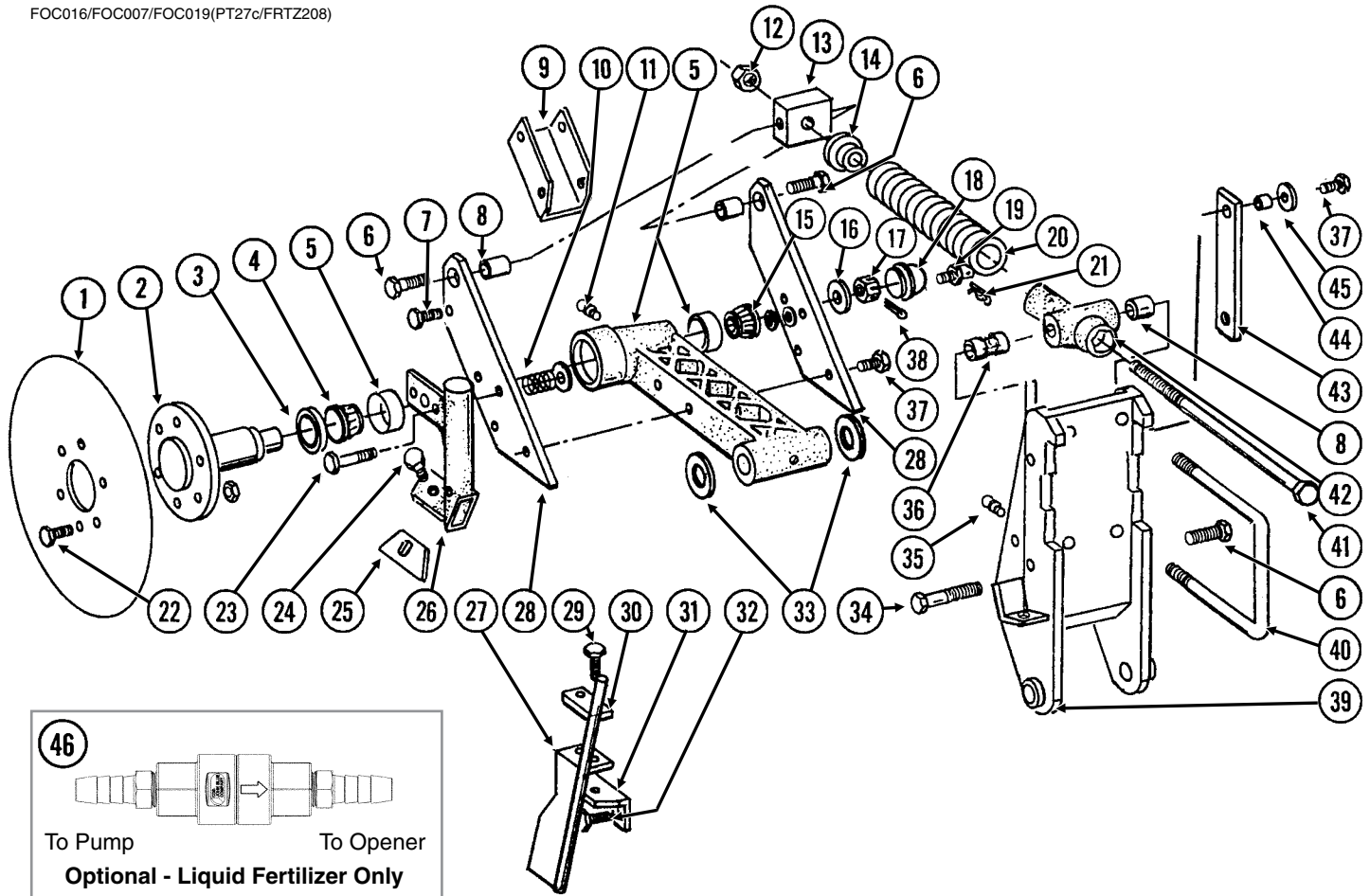
ITEM	PART NO.	QTY. (Per Assy.)	DESCRIPTION
1	GA8483	1	Bracket
2	G10938	1	Grease Fitting, 1/4"-28, Taper Threads
3	G10451	2	Cotter Pin, 1/8" x 1"
4	GD1657	1	Lockup Pin
5	GD0962	1	Hex Head Adjusting Bolt, 5/8"-18 x 3/4"
	G10499	1	Hex Jam Nut, 5/8"-18, Grade 2
6	GA0328	1	Spring
7	GD0487	1	Bushing, 41/64" I.D. x 3 1/2" Long
8	GD30725	-	Machine Bushing, 5/8" (.030" Thick)
9	G10542	12	Rivet, 1/4" x 1 5/16"
10	GD1132	2	Dust Cap
11	G10503	1	Hex Jam Nut, 5/8"-11, Grade 2
	G10504	1	Hex Jam Nut, 5/8"-11, L.H. Thread, Grade 2
12	G10204	2	Special Machine Bushing, 5/8" x 1" O.D.
13	GB0134	2	Hub
14	GA2014	2	Bearing
15	GD11306	2	Disc Blade, 3.5 mm x 15"
16	GD2589	1	Inner Scraper
17	GA0312	1	Mount
18	G10019	1	Hex Head Cap Screw, 5/16"-18 x 1"
	G10232	1	Lock Washer, 5/16"
19	GA1369	-	Drop Tube, Dry Fertilizer
20	GD11705	-	Extension
21	G10681	-	Hose Clamp, No. 6
22	GA8685	-	Drop Tube, Liquid Fertilizer
23	G10133	1	Hex Head Cap Screw, 5/16"-18 x 1 1/2"
	G11386	1	Flat Washer, 5/16" SAE
	G10109	1	Lock Nut, 5/16"-18, Grade 8
24	GA9195	1	Shank
25	GA0810	1	Scraper Mount
26	GD1673	2	Scraper
27	G10305	2	Carriage Bolt, 3/8"-16 x 1"
	G11387	2	Flat Washer, 3/8" SAE
	G10229	2	Lock Washer, 3/8"
	G10101	2	Hex Nut, 3/8"-16
28	G10045	1	Hex Head Cap Screw, 1/2"-13 x 4 1/2"
	G10111	1	Lock Nut, 1/2"-13
29	G10046	1	Hex Head Cap Screw, 5/8"-11 x 5"
	G10107	1	Lock Nut, 5/8"-11
30	GD1138	2	U-Bolt, 2 1/2" x 2 1/2" x 1/2"-13
	G10228	4	Lock Washer, 1/2"
	G10102	4	Hex Nut, 1/2"-13
31	GA15416	1	Check Valve Assembly
	GA15415	1	Check Valve
	G11436	2	Hose Barb, 1/4" Male NPT To 3/8" Barb
A	GA8845	-	Disc Blade and Bearing Assembly (Items 9 and 13-15)

(TWL35d)



ITEM	PART NO.	QTY. (Per Assy.)	DESCRIPTION
1	GD9705	2	J-Bolt, 1/2"-13
	G10228	2	Lock Washer, 1/2"
	G10102	2	Hex Nut, 1/2"-13
2	---	-	See "HD Single Disc Fertilizer Opener (Blade and Drop Tube)" on page P97
3	GD9706	1	Lockup Bar
4	G10010	1	Hex Head Cap Screw, 5/8"-11 x 3"
5	G10961	11	Flanged Whiz Lock Screw, 5/16"-18 x 3/4", No Serration
	G10620	11	Serrated Flange Nut, 5/16"-18
6	GD11954	1	Half Wheel Cover, Nylon
7	GA6171	1	Bearing
8	GD11953	1	Offset Tire
9	GD11423	1	Half Wheel
10	G10438	1	Hex Head Cap Screw, 1/2"-13 x 3/4"
	G10228	1	Lock Washer, 1/2"
	G11389	1	Flat Washer, 1/2" SAE
11	G10230	1	Lock Washer, 5/8"
12	G10526	10	Machine Bushing, 1" (.048" Thick)
13	G10560	1	Clevis Pin, 1/2" x 1 3/4"
	G10456	1	Cotter Pin, 1/8" x 3/4"
14	GD8218	1	Yoke
15	G11391	1	Flat Washer, 5/8" SAE
16	---	-	See "HD Single Disc Fertilizer Opener (Blade and Drop Tube)" on page P97
17	GD7911	1	Pivot Pin
18	G10610	1	Spring Pin, 3/8" x 2"
19	GA8306	-	Wheel Arm W/Grease Fitting, R.H.
	GA8305	1	Wheel Arm W/Grease Fitting, L.H. (Shown)
	G10640	1	Grease Fitting, 1/4"-28
20	GD8308	1	Spring
21	GB0212	2	Spring Washer
22	GD9709	1	Special Bolt
A	G1K215	-	Lockup Kit (Items 1 and 3)
B	GA8877	-	Gauge Wheel Complete (Items 5-9)

FOC016/FOC007/FOC019(PT27c/FRTZ208)

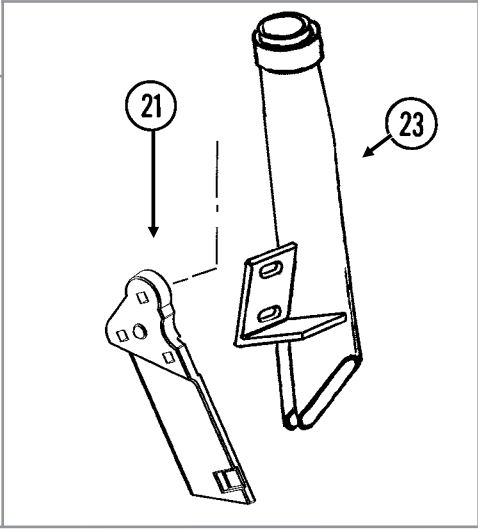
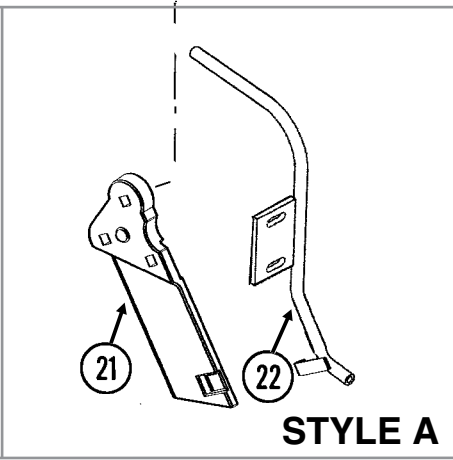
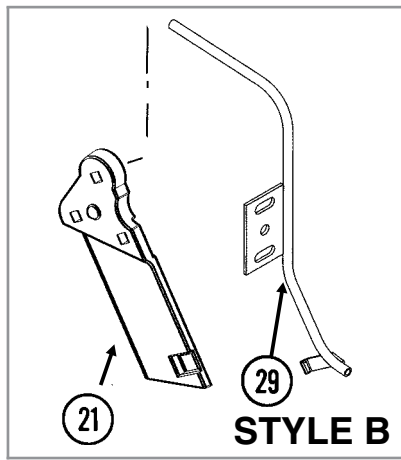
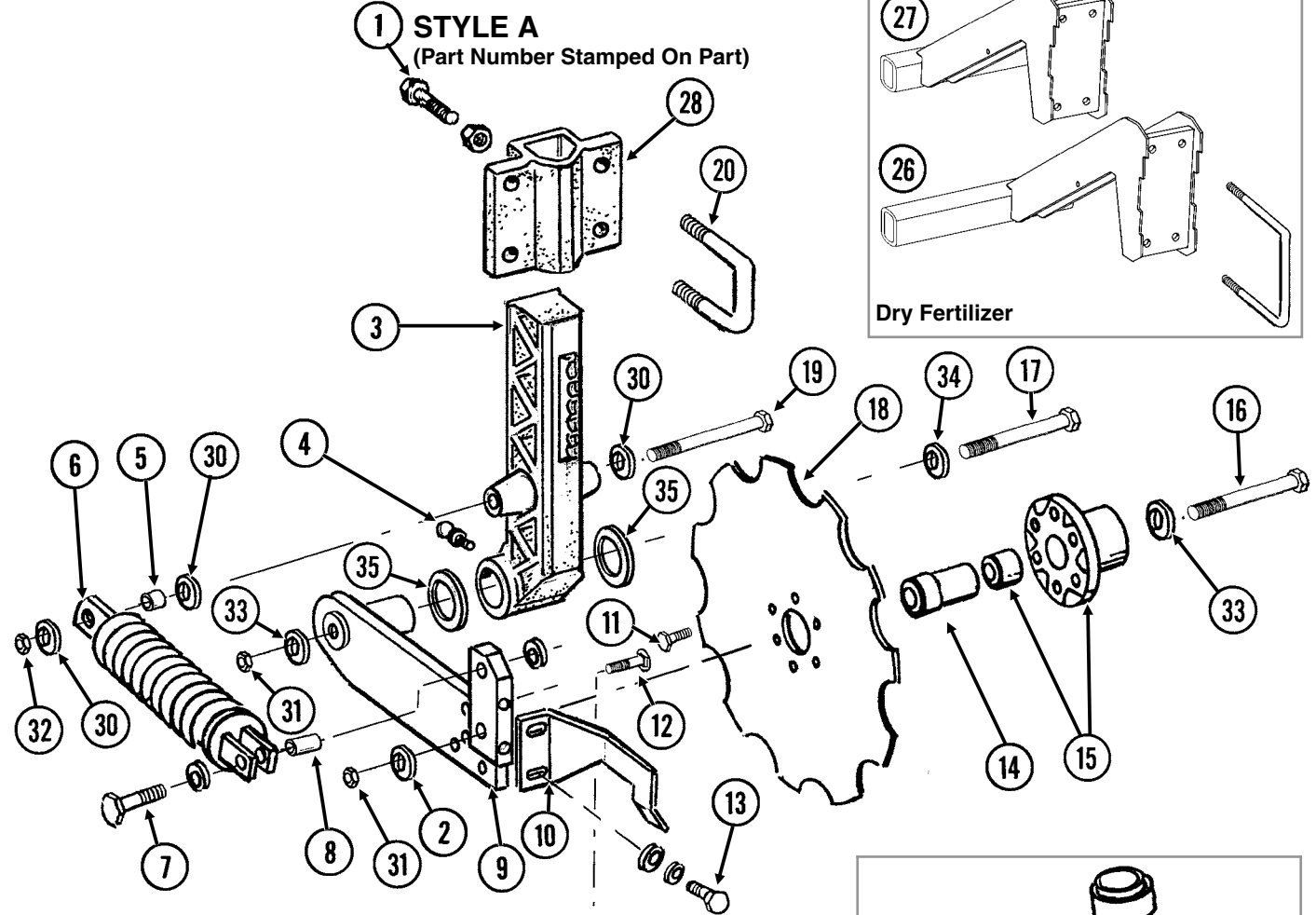
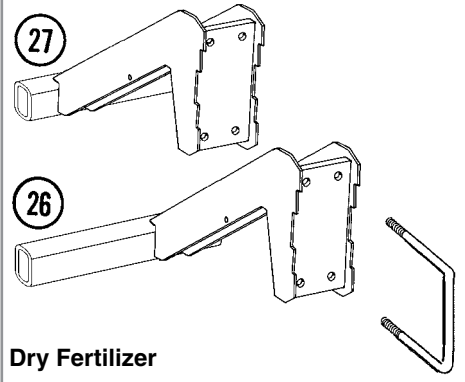
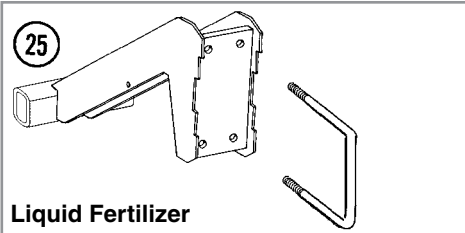
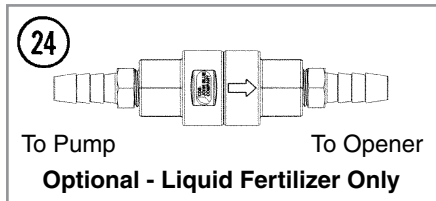


ITEM	PART NO.	QTY. (Per Assy.)	DESCRIPTION
1	GD7900 GD8247	1 -	Disc Blade, 18" Disc Blade, 20" (Optional)
2	GB0205	1	Spindle
3	GA4286	1	Seal
4	GA4287	1	Bearing
5	GA5887 GD6553 GR0188 G11391	1 - - 3	Arm W/Cups and Washers Inner Cup Outer Cup Flat Washer, 5/8" SAE
6	G10007	3	Hex Head Cap Screw, 5/8"-11 x 1 1/2"
7	G10001 G10108	2 2	Hex Head Cap Screw, 3/8"-16 x 1" Lock Nut, 3/8"-16
8	GB0218	3	Bushing, 2 1/32" I.D. x 7/8" O.D. x 1 9/32" Long
9	GD8238	1	Channel
10	GD7962	2	Spring
11	G10641	2	Grease Fitting, 1/8" NPT
12	G10105	3	Hex Nut, 3/4"-10
13	GD7908	1	Tap Block
14	GB0213	1	Spring Seat
15	GA0237	1	Bearing
16	G10220	1	Machine Bushing, 1 1/16", 10 Gauge

ITEM	PART NO.	QTY. (Per Assy.)	DESCRIPTION
17	G10507	1	Slotted Nut, 1"-14
18	GD1104	1	Dust Cap
19	GD8276	1	Pin
	G10237	1	Lock Washer, 7/16"
	G10100	1	Hex Nut, 7/16"-14
20	GD10273	1	Compression Spring
21	G10592	1	Hair Pin Clip, No. 11
22	G10594	6	Bolt, 1/2"-13 x 1 1/2"
	G10111	6	Lock Nut, 1/2"-13
23	G10049	2	Hex Head Cap Screw, 3/8"-16 x 2 1/2"
	G11387	2	Flat Washer, 3/8" SAE
	G10108	2	Lock Nut, 3/8"-16
24	G10599	1	Carriage Bolt, 3/8"-16 x 1 1/4"
	G11387	1	Flat Washer, 3/8" SAE
	G10229	1	Lock Washer, 3/8"
	G10101	1	Hex Nut, 3/8"-16
25	GD7912	1	Scraper
26	GB0210	-	Drop Tube, R.H., Dry Fertilizer
	GB0209	1	Drop Tube, L.H., Dry Fertilizer (Shown)
27	GA8689	1	Drop Tube, L.H., Liquid Fertilizer (Shown)
	GA8688	-	Drop Tube, R.H., Liquid Fertilizer
28	GD8224	2	Bar
29	G10004	2	Hex Head Cap Screw, 3/8"-16 x 1 1/4"
	G10229	2	Lock Washer, 3/8"
30	GD10487	1	Clamp
31	GD10304	-	Angle, R.H.
	GD10303	1	Angle, L.H. (Shown)
32	G10016	2	Hex Head Cap Screw, 1/2"-13 x 2"
	G10111	2	Lock Nut, 1/2"-13
33	G10322	-	Machine Bushing, 1 1/4", 18 Gauge (As Required)
34	G10862	1	Hex Head Cap Screw, 5/8"-11 x 3 1/4"
	G11391	2	Flat Washer, 5/8" SAE
	G10230	1	Lock Washer, 5/8"
35	G10640	1	Grease Fitting, 1/4"-28
36	GD10242	1	Bushing, 2 1/4"
37	G10039	5	Hex Head Cap Screw, 1/2"-13 x 1 3/4"
	G10111	5	Lock Nut, 1/2"-13
38	G10459	1	Cotter Pin, 3/16" x 1 1/2"
39	GA7240	-	Opener Mount, R.H.
	GA7239	1	Opener Mount, L.H. (Shown)
40	GD1114	2	U-Bolt, 7" x 7" x 5/8"-11 (8 1/2" Long)
	GD14559	-	U-Bolt, 7" x 7" x 5/8"-11 (9" Long)
	G10230	4	Lock Washer, 5/8"
	G10104	4	Hex Nut, 5/8"-11
41	GD7907	1	Special Bolt
42	GB0206	1	Rod Guide
43	GD8239	1	Storage Strap
44	GD7904-02	1	Sleeve, 1/2" x 1/2" Long
45	G11389	3	Flat Washer, 1/2" SAE
46	GA15416	-	Check Valve, Low Rate
	GA15415	1	Check Valve
	G11436	2	Hose Barb, 1/4" Male NPT To 3/8" Barb

FOC018(TWL34e/TWL34f/TWL34g/FRTZ268/FRTZ208)

NOTE: R.H. and L.H. is determined by which side of blade it is on in the direction of travel.

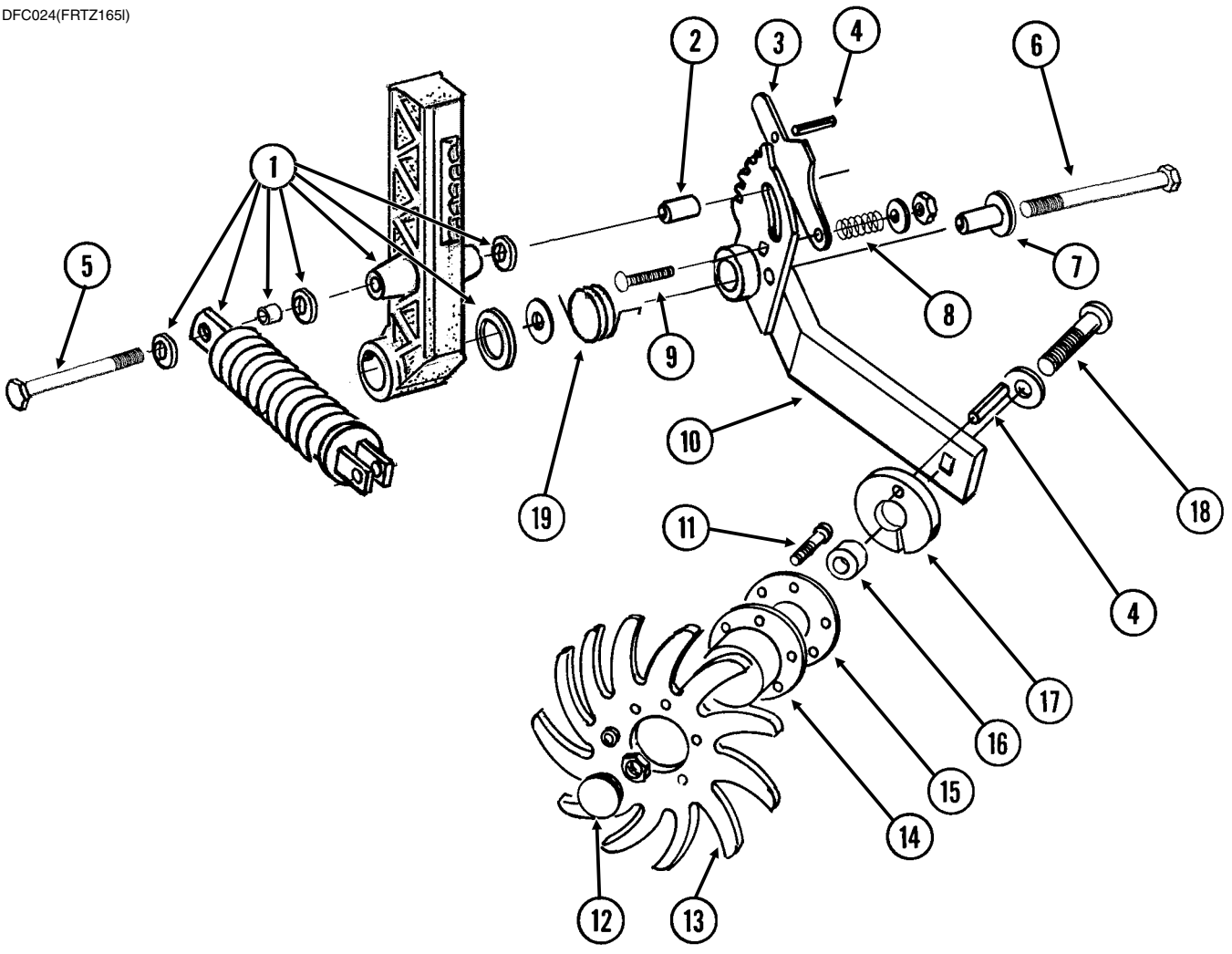


ITEM	PART NO.	QTY. (Per Assy.)	DESCRIPTION
1	G10017	3	Hex Head Cap Screw, 1/2"-13 x 1 1/2"
	G10102	3	Hex Nut, 1/2"-13
2	GD12677	1	Washer, 1 1/2" O.D., 7 Gauge, Hardened
3	GB0296	1	Arm, 13 1/2"
4	G10640	1	Grease Fitting, 1/4"-28
5	GD12685	1	Bushing, 3/4" O.D. x 1/2" Long
6	GA6966	1	Compression Spring Assembly
7	G10047	1	Hex Head Cap Screw, 3/8"-16 x 1 3/4"
	G11387	2	Flat Washer, 3/8" SAE
	G10108	1	Lock Nut, 3/8"-16
8	GD1026	1	Sleeve, 1 3/16" Long
9	GA9433	1	Pivot Arm, L.H. (Shown)
	GA9434	-	Pivot Arm, R.H.
10	GD11557	1	Scraper, L.H. (Shown)
	GD11558	-	Scraper, R.H.
11	G10002	6	Hex Head Cap Screw, 3/8"-16 x 3/4"
12	G10306	3	Carriage Bolt, 3/8"-16 x 2"
	G10108	3	Lock Nut, 3/8"-16
13	G10991	2	Hex Head Cap Screw, 5/16"-18 x 7/8"
	G10232	2	Lock Washer, 5/16"
	G11386	6	Flat Washer, 5/16" SAE
14	GD12679	1	Stepped Spacer, 3" Long
15	GA9437	1	Hub W/Bearing
	GA8603	-	Bearing, Double Row
16	G10011	1	Hex Head Cap Screw, 5/8"-11 x 5 1/2"
17	G10046	1	Hex Head Cap Screw, 5/8"-11 x 5"
18	GD12676	1	Disc Blade, Notched, 16 3/4"
19	G10871	1	Hex Head Cap Screw, 1/2"-13 x 6"
20	GD13287	2	U-Bolt, 1 1/2" x 2 1/2" x 1/2"-13
	G11389	4	Flat Washer, 1/2" Plated SAE
	G10111	4	Lock Nut, 1/2"-13
21	GB0323	1	Knife, L.H. (Shown)
	GB0322	-	Knife, R.H.
22	GA11397	1	Drop Tube, L.H., Liquid Fertilizer
	GA11398	-	Drop Tube, R.H., Liquid Fertilizer (Shown)
23	GA10047	1	Drop Tube, L.H., Dry Fertilizer
	GA10048	-	Drop Tube, R.H., Dry Fertilizer (Shown)
24	GA15416	-	Check Valve, Low Rate
	GA15415	1	Check Valve
	G11436	2	Hose Barb, 1/4" Male NPT To 3/8" Barb
25	GA9565	1	Opener Mount Assembly, Liquid Fertilizer
	GA9564	1	Opener Mount
	GD1113	2	U-Bolt, 5" x 7" x 5/8"-11
	G10230	4	Lock Washer, 5/8"
	G10104	4	Hex Nut, 5/8"-11
26	GA9821	-	Opener Mount Assembly, L.H., Dry Fertilizer
	GA9819	1	Opener Mount
	GD1113	2	U-Bolt, 5" x 7" x 5/8"-11
	G10230	4	Lock Washer, 5/8"
	G10104	4	Hex Nut, 5/8"-11

ITEM	PART NO.	QTY. (Per Assy.)	DESCRIPTION
27	GA9822	-	Opener Mount Assembly, R.H., Dry Fertilizer
	GA9820	1	Opener Mount
	GD1113	2	U-Bolt, 5" x 7" x 5/8"-11
	G10230	4	Lock Washer, 5/8"
	G10104	4	Hex Nut, 5/8"-11
28	GB0405	1	Mount, L.H.
	GB0400	-	Mount, R.H. (Shown)
29	GA12108	1	Drop Tube, Liquid Fertilizer (Shown)
	GA12109	-	Drop Tube, Liquid Fertilizer
30	G11389	-	Flat Washer, 1/2" Plated SAE
31	G10107	-	Lock Nut, 5/8"-11
32	G10111	-	Lock Nut, 1/2"-13
33	G11391	-	Flat Washer, 5/8" SAE
34	G10217	-	Washer, 5/8" USS
35	G10450	-	Machine Bushing, 1 1/2", 18 Gauge (As Required)

This page left blank intentionally.

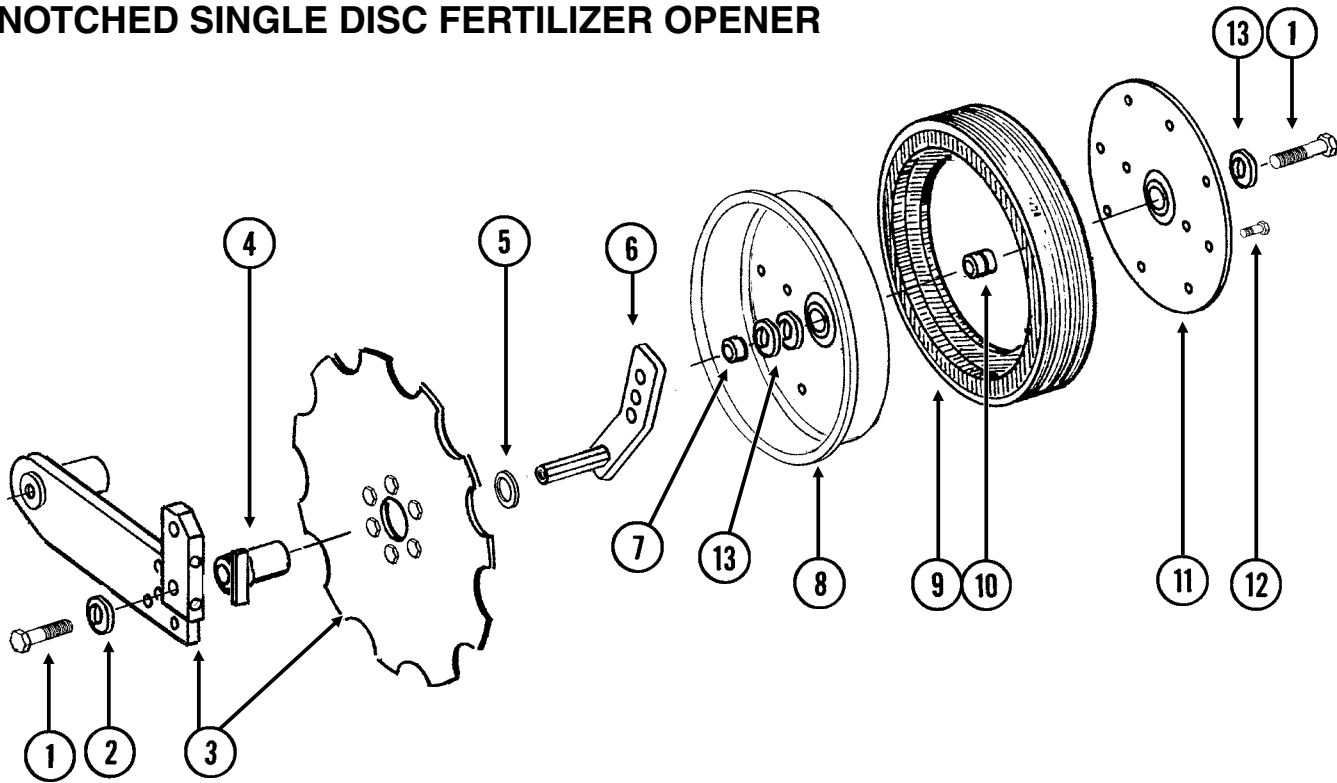
DFC024(FRTZ165I)



ITEM	PART NO.	QTY. (Per Assy.)	DESCRIPTION
1	---	-	See "Notched Single Disc Fertilizer Opener" on page P99
2	GD12684	1	Bushing, 1 1/8" Long
3	GD11178	1	Adjustment Lever
4	G10603	2	Spring Pin, 1/4" x 1 1/4"
5	G11034	1	Hex Head Cap Screw, 1/2"-13 x 7"
	G10111	1	Lock Nut, 1/2"-13
6	G10830	1	Hex Head Cap Screw, 5/8"-11 x 7 1/2"
	G11391	1	Flat Washer, 5/8" SAE
	G10107	1	Lock Nut, 5/8"-11
7	GD11836	1	Sleeve, 2 1/8" Long
8	GD7962	1	Spring
9	G10306	1	Carriage Bolt, 3/8"-16 x 2"
	G11387	1	Flat Washer, 3/8" SAE
	G10108	1	Lock Nut, 3/8"-16
10	GA7999	1	Mount W/Grease Fitting, L.H. (Shown)
	GA7998	-	Mount W/Grease Fitting, R.H.
	G10640	-	Grease Fitting, 1/4"-28
11	G10133	6	Hex Head Cap Screw, 5/16"-18 x 1 1/2"
	G10109	6	Lock Nut, 5/16"-18, Grade 8
12	GD1132	2	Dust Cap
13	GD10552	2	Wheel, 12 Tine, 3/8" x 12"
14	GA5654	1	Hub W/Bearings
	GA2014	-	Bearing
15	GD9724	1	Backing Plate
16	GD7817-04	1	Spacer, 1 1/16" I.D. x 1/2" Long
17	GD11188	1	Spacer
18	G10908	1	Carriage Bolt, 5/8"-11 x 3"
	G10503	1	Hex Jam Nut, 5/8"-11, Grade 2
19	GD11265	1	Spring, L.H. (Shown)
	GD11266	-	Spring, R.H.
A	GA7445	-	Wheel Assembly, 12 Tine, L.H. (Items 11 and 13-15)(Shown)
	GA7446	-	Wheel Assembly, 12 Tine, R.H. (Items 11 and 13-15)

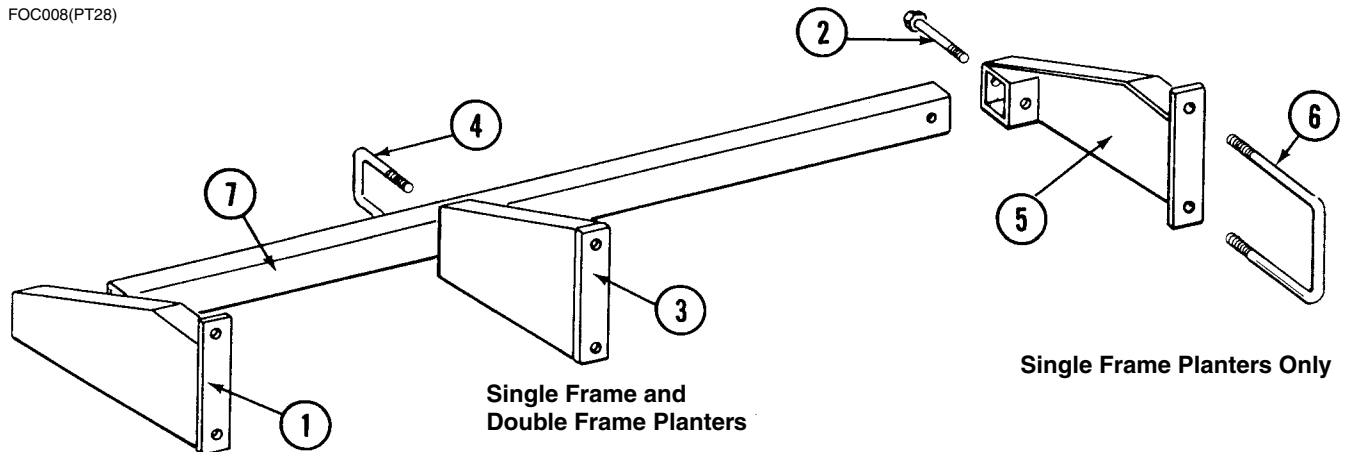
(FRTZ256)

**FOR USE WITH
NOTCHED SINGLE DISC FERTILIZER OPENER**



ITEM	PART NO.	QTY. (Per Assy.)	DESCRIPTION
1	G10010	2	Hex Head Cap Screw, 5/8"-11 x 3"
2	G11391	1	Flat Washer, 5/8" SAE
3	---	-	See "Notched Single Disc Fertilizer Opener" on page P99
4	GA9472	1	Blade Mount
5	G10233	1	Machine Bushing, 1", 10 Gauge
6	GA10037	1	Wheel Mount, L.H. (Shown)
	GA10036	1	Wheel Mount, R.H.
7	GD13309	1	Spacer
8	GD11423	1	Half Wheel
9	GD11953	1	Offset Tire
10	GA6171	1	Bearing
11	GD11954	1	Half Wheel Cover, Nylon
12	G10961	11	Flanged Whiz Lock Screw, 5/16"-18 x 3/4", No Serration
	G10620	11	Serrated Flange Nut, 5/16"-18
13	G10204	-	Special Machine Bushing, 5/8" x 1" O.D. (As Required)
A	GA8877	-	Gauge Wheel Complete (Items 8-12)

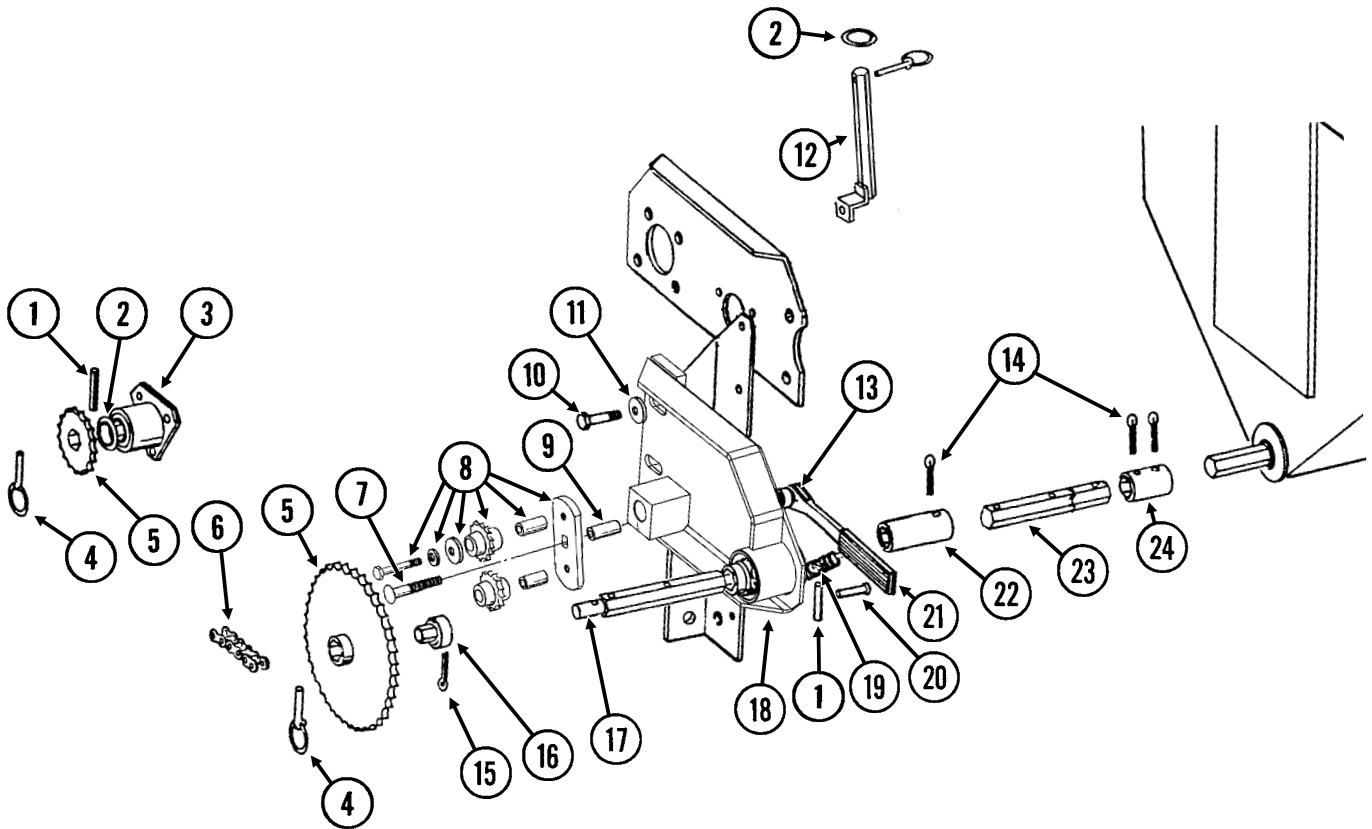
FOC008(PT28)



Single Frame Planters Only

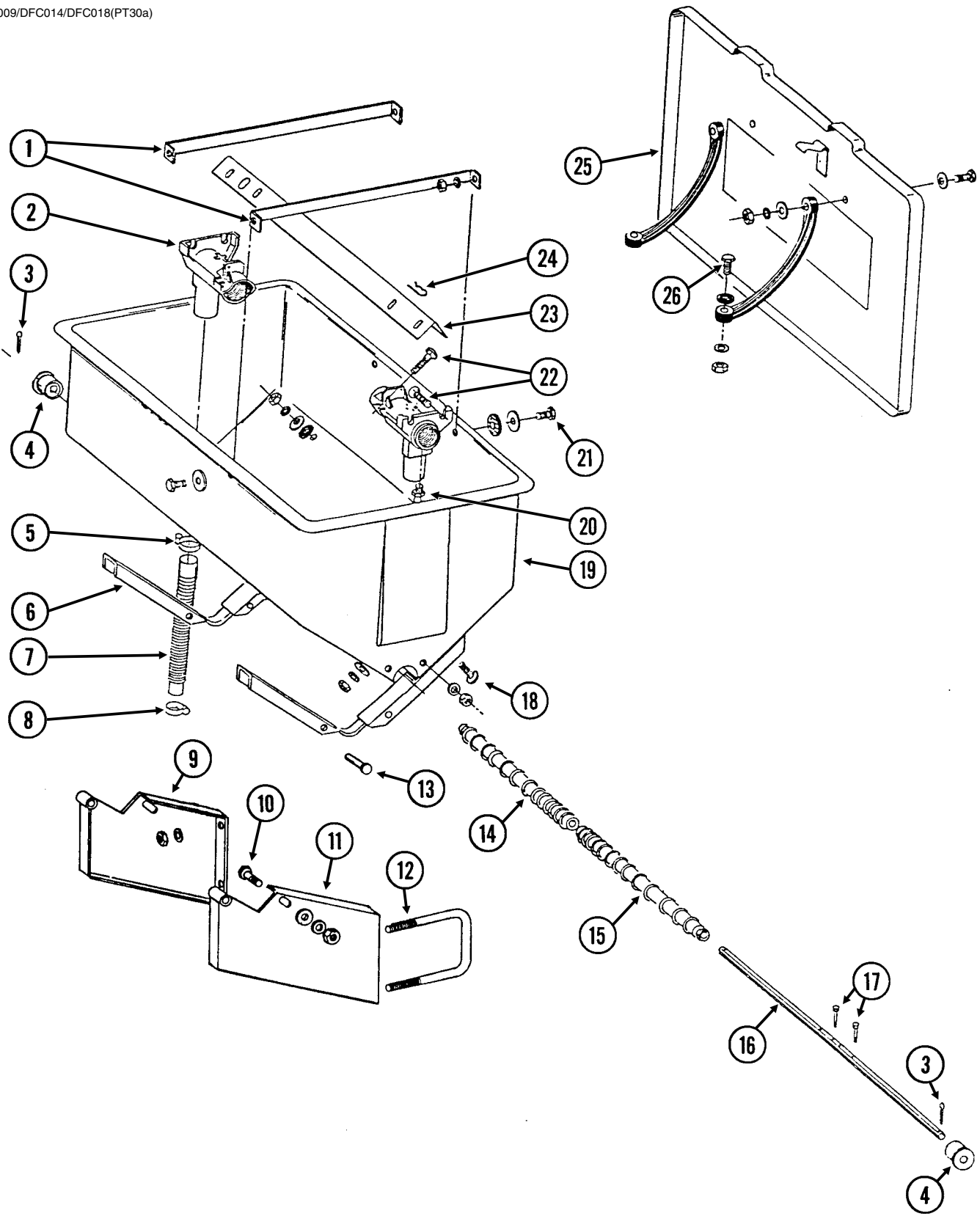
ITEM	PART NO.	QTY.	DESCRIPTION
1	GA5231	1	Support, L.H., Single Frame Planters Only
2	G10035	2	Hex Head Cap Screw, 1/2"-13 x 4"
	G10228	2	Lock Washer, 1/2"
	G10102	2	Hex Nut, 1/2"-13
3	GA5237	1	Support, 19" Long, L.H. (Shown), 8 Row 30" Single Frame Planters
	GA5236	1	Support, 19" Long, R.H., 8 Row 30" Single Frame Planters
	GA9431	1	Support, 18 1/8" Long, L.H., 8 Row 30" Double Frame Planters
	GA9430	1	Support, 18 1/8" Long, R.H., 8 Row 30" Double Frame Planters
4	GD1138	2	U-Bolt, 2 1/2" x 2 1/2" x 1/2"-13
	G10228	4	Lock Washer, 1/2"
	G10102	4	Hex Nut, 1/2"-13
5	GA5230	1	Support, R.H., Single Frame Planters Only
6	GD1114	2	U-Bolt, 7" x 7" x 5/8"-11
	G10230	4	Lock Washer, 5/8"
	G10104	4	Hex Nut, 5/8"-11
7	GD1685-14	1	Toolbar, 2 1/2" x 2 1/2" x 105", 4 Row 30"
	GD1685-15	-	Toolbar, 2 1/2" x 2 1/2" x 129", 4 Row 36"/38"
	GD1685-13	-	Toolbar, 2 1/2" x 2 1/2" x 165", 6 Row 30"
	GD1685-12	-	Toolbar, 2 1/2" x 2 1/2" x 205", 6 Row 36"/38"
	GD1685-16	-	Toolbar, 2 1/2" x 2 1/2" x 225", 8 Row 30"
A	G6795X	-	Support Bundle (Items 1, 2, 4, 5 and 6)

(PT29f)



ITEM	PART NO.	QTY.	DESCRIPTION
1	G10602	2	Spring Pin, 1/4" x 1 1/2"
2	G10233	2	Machine Bushing, 1", 10 Gauge
3	GA5223	1	Spacer W/Bearing
	GA5116	-	Bearing, 7/8" Hex Bore, Cylindrical
4	GD2558	3	Lynch Pin, 1/4"
5	GA5105	1	Sprocket, 15 Tooth
	GA5107	1	Sprocket, 19 Tooth
	GA5114	1	Sprocket, 30 Tooth
	GA5115	1	Sprocket, 33 Tooth
	GA6337	1	Sprocket, 35 Tooth
6	G3310-98	1	Chain, No. 40, 98 Pitch Including Connector Link
	GR0912	-	Connector Link, No. 40
7	G10419	1	Carriage Bolt, 1/2"-13 x 4 1/2"
	G10111	1	Lock Nut, 1/2"-13
8	GA7336	1	Idler W/Bolt-On Sprockets
	GD7426	-	Sprocket, 12 Tooth
	GD1026	-	Sleeve, 1 3/16" Long
	G11387	-	Flat Washer, 3/8" SAE
	G10229	-	Lock Washer, 3/8"
	G10047	-	Hex Head Cap Screw, 3/8"-16 x 1 3/4"
9	GD3180-17	1	Sleeve, 5/8" I.D. x 7/8" O.D. x 2 5/16" Long
10	G10053	2	Hex Head Cap Screw, 1/2"-13 x 2 1/2"
	G10585	1	Hex Head Cap Screw, 1/2"-13 x 3/4"
	G10033	1	Hex Head Cap Screw, 1/2"-13 x 3 1/2"
	G10016	2	Hex Head Cap Screw, 1/2"-13 x 2"
	G10228	2	Lock Washer, 1/2"
	G10102	2	Hex Nut, 1/2"-13
11	G11389	2	Flat Washer, 1/2" Plated SAE
12	GA7313	1	Sprocket Storage Rod
13	GD10161	1	Spacer, 3/8"
14	G10460	-	Cotter Pin, 1/4" x 2"
15	G10821	1	Clevis Pin, 3/16" x 2"
	G10455	-	Cotter Pin, 1/16" x 1/2"
16	GD7127	1	Shear Coupler
17	GD7870	1	Shaft, 7"
18	GA21798	1	Plate W/Bearings and Grease Fitting
	GA5116	-	Bearing, 7/8" Hex Bore, Cylindrical
	GA5624	-	Special Bearing, 7/8" Hex Bore x 1.6"
	G10640	-	Grease Fitting, 1/4"-28
19	GD5857	1	Spring
20	G10408	1	Clevis Pin, 5/16" x 3/4"
	G10409	1	Retaining Ring, 5/16"
21	GA4235	1	Ratchet Arm W/Protective Closure
	G10445	-	Protective Closure
22	GD7867	-	Coupler, 3", 4 Row 36"/38" and 6 Row 36"/38" Only
23	GD7871	-	Hex Shaft, 7/8" x 6" (3 Holes), 4 Row 36"/38" and 6 Row 36"/38" Only
24	GD5886	-	Coupler, 1 3/4"

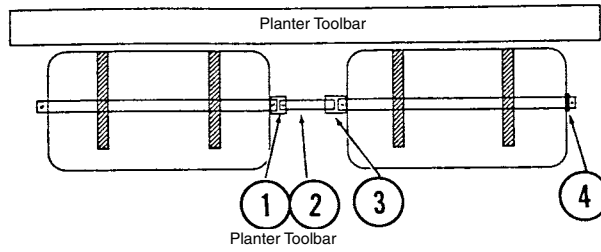
DFC009/DFC014/DFC018(PT30a)



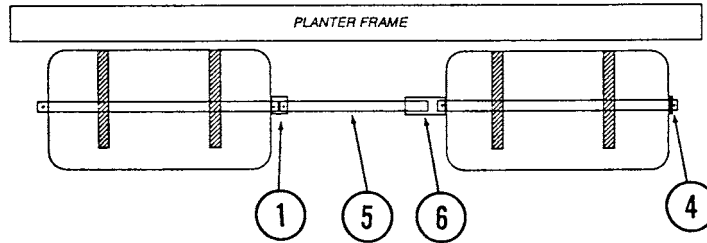
ITEM	PART NO.	QTY. (Per Hopper)	DESCRIPTION
1	GD1209	2	Strap
2	GD1200	2	Outlet Housing
3	G10460	2	Cotter Pin, 1/4" x 2"
4	GB0200	2	Bearing
5	G10676	2	Hose Clamp, No. 36, Stainless Steel
6	GA5652	2	Saddle
7	GD21398	2	Rubber Tube
8	G10672	2	Hose Clamp, No. 28
9	GA0864	1	Hopper Mount, R.H.
10	G10037	2	Hex Head Cap Screw, 1/2"-13 x 1 1/4"
	G11389	2	Flat Washer, 1/2" SAE
	G10228	2	Lock Washer, 1/2"
	G10102	2	Hex Nut, 1/2"-13
11	GA0863	1	Hopper Mount, L.H.
12	GD1114	2	U-Bolt, 7" x 7" x 5/8"-11
	G10177	-	Hex Head Cap Screw, 5/8"-11 x 9 1/2"
	G10230	4	Lock Washer, 5/8"
	G10104	4	Hex Nut, 5/8"-11
13	G10561	2	Clevis Pin, 1/2" x 3"
	G10451	2	Cotter Pin, 1/8" x 1"
14	GB0198	1	Auger, R.H.
15	GB0199	1	Auger, L.H.
16	GD7848	1	Shaft
17	G10587	2	Hex Head Cap Screw, 1/4"-20 x 2", Stainless Steel
	G10588	2	Hex Nut, 1/4"-20, Stainless Steel
18	G10303	8	Carriage Bolt, 5/16"-18 x 1"
	G10201	8	Special Washer, 3/8" x 1 1/2" O.D.
	GD1213	8	Rubber Washer
	G10232	8	Lock Washer, 5/16"
	G10106	8	Hex Nut, 5/16"-18
19	GD1379	1	Hopper
20	G10640	2	Grease Fitting, 1/4"-28
21	G10171	4	Hex Head Cap Screw, 5/16"-18 x 1 1/4"
	G10201	4	Special Washer, 3/8" x 1 1/2" O.D.
	GD1213	4	Rubber Washer
	G10232	4	Lock Washer, 5/16"
	G10106	4	Hex Nut, 5/16"-18
22	G10303	8	Carriage Bolt, 5/16"-18 x 1"
	G11386	8	Flat Washer, 5/16" SAE
	G10232	8	Lock Washer, 5/16"
	G10106	8	Hex Nut, 5/16"-18
23	GD1207	1	Baffle
24	G10670	2	Hair Pin Clip, No. 3
25	GA0898	1	Lid W/Retainers, Clips, Rivets, Rubber Straps and Hardware
	GD1380	-	Front Clip
	GD2412	-	Rear Retainer
	G10655	-	Rivet, 3/16" x 13/32"
	GD1210	-	Rubber Strap
	G10171	-	Hex Head Cap Screw, 5/16"-18 x 1 1/4"
	G11386	-	Flat Washer, 5/16" SAE
	G10232	-	Lock Washer, 5/16"
	G10106	-	Hex Nut, 5/16"-18
26	G10133	2	Hex Head Cap Screw, 5/16"-18 x 1 1/2"
	G11386	2	Flat Washer, 5/16" SAE
	G10232	2	Lock Washer, 5/16"
	G10106	2	Hex Nut, 5/16"-18
A	GA5666	-	Hopper Sub-Assembly (Items 2,6,18,19, 22 and 24)
B	GA5667	-	Hopper Hardware Box (Items 1, 3, 4, 14-17, 21, 23 and 26)

RH101190(PT31/PT32/PT33/PT34/PT35)

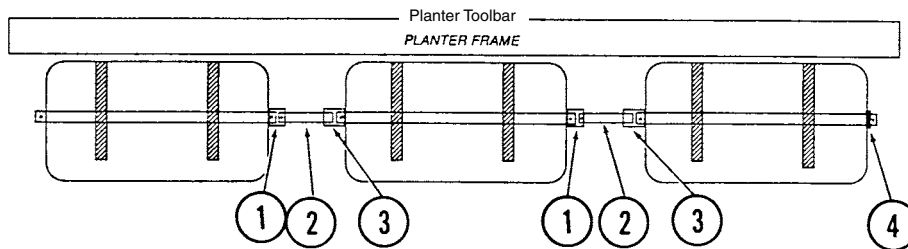
4 Row 30"



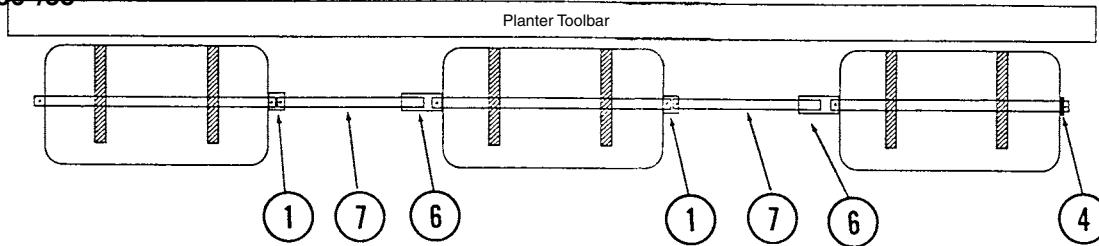
4 Row 36"/38"



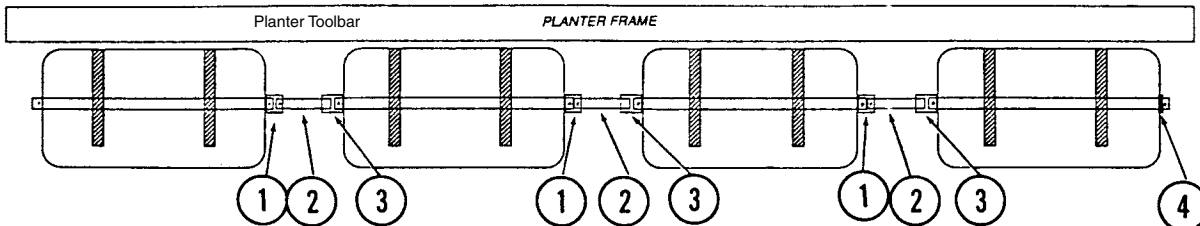
6 Row 30"



6 Row 36"/38"

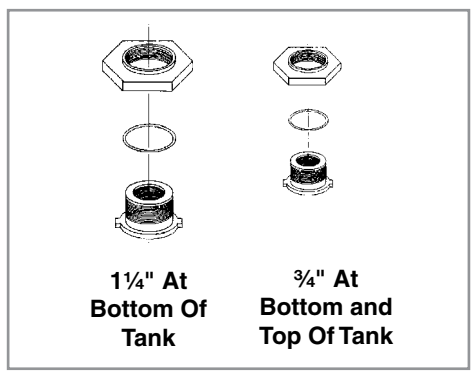
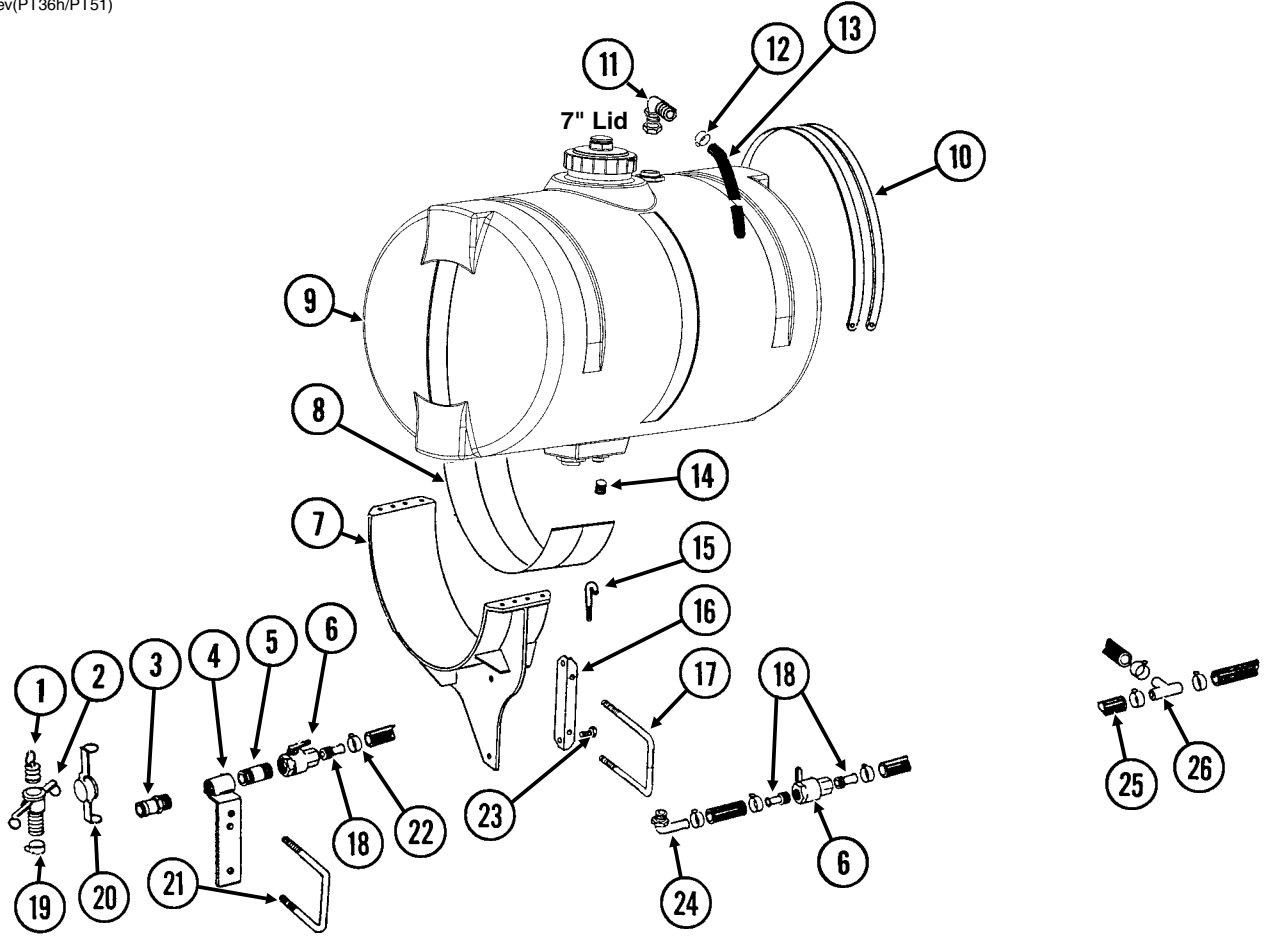


8 Row 30"



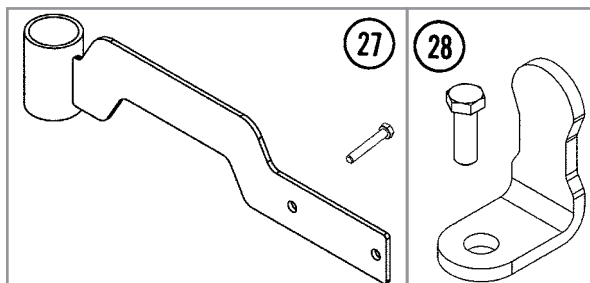
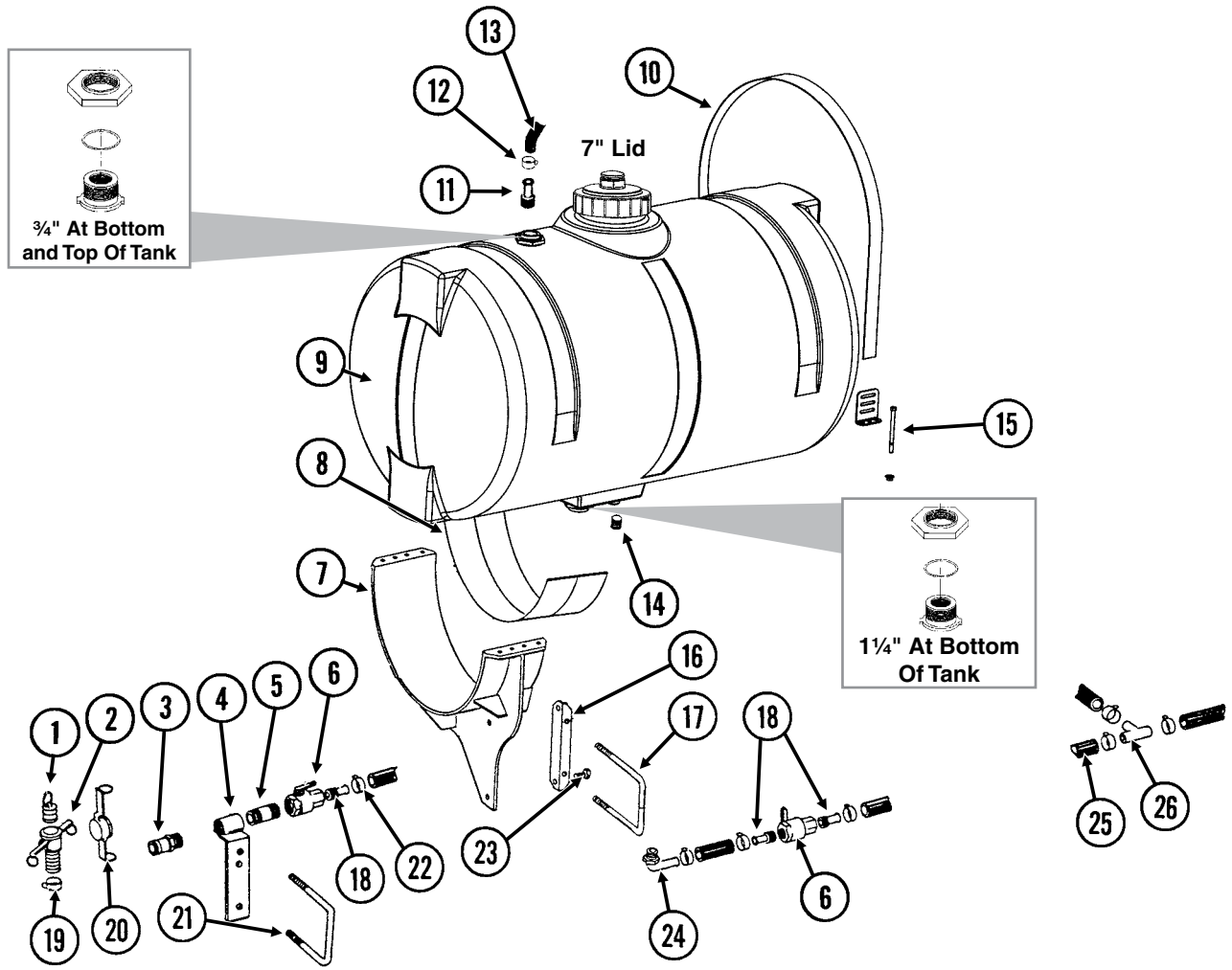
ITEM	PART NO.	QTY.	DESCRIPTION
1	GD5886	-	Coupler, 1¾"
2	GD2548-15.5	-	Hex Shaft, 7/8" x 15½" (1 Hole)
3	GD7867	-	Coupler, 3"
4	G10233	2	Machine Bushing, 1", 10 Gauge
5	GD2548-25.5	-	Hex Shaft, 7/8" x 25½" (1 Hole)
6	GD7868	-	Coupler, 7"
7	GD2548-27.5	-	Hex Shaft, 7/8" x 27½" (1 Hole)

LFC012rev(PT36h/PT51)



ITEM	PART NO.	QTY.	DESCRIPTION
1	GD1517	1	Dust Plug, 1¼" Male Cam Lock
2	GD1516	1	Adapter, 1¼" Barb To Female Cam Lock
3	GD1514	1	Adapter, 1¼" Male NPT To Cam Lock
4	GA5917	1	Quick Fill Mount
5	G10619	1	Close Nipple, 1¼" NPT
6	GA4976	-	Shutoff Valve, 1¼" NPT
	GR1015	-	Body O-Ring
	GR1016	-	Stem O-Ring
	GR1017	-	Teflon Seat
	GR1018	-	Ball
	GR1019	-	Handle
7	GA7375	-	Tank Mount (2 Per Tank)
8	GD1862	-	Pad, 8" x 14" (For Two 30" Tanks)
9	GA14049	-	Tank W/Lid and Fittings, 30" x 150 Gallon, 4 Row
	GA16428	-	Lid W/Vent, 7" (Top Of Tank)
	GR0513	-	¾" Polypropylene Fitting Assembly (Overflow Fitting, Nut, Bushing, and O-Ring) (Top and Bottom Of Tank)
	GR1397	-	Overflow Fitting
	GR0508	-	1¼" Polypropylene Fitting Assembly (Nut, Bushing, and O-Ring) (Bottom Of Tank)
	GR1941	-	Seal
10	GD1520	-	Band, 30"
11	G10917	2	Elbow, 90°, ¾" NPT To Barb
12	G10278	2	Hose Clamp, No. 16
13	G4205-11	1	Hose, ¾" x 72" (1 Per Tank)
14	G10096	-	Pipe Plug, ¾" NPT
15	GD1337	-	J-Bolt, ⅝"-18
	G11182	-	Lock Nut W/Nylon Insert, ⅝"-18
16	GD10110	-	Mounting Angle (2 Per Tank)
17	GD1748	-	U-Bolt, 7" x 7" x ¾"-10
	G10231	-	Lock Washer, ¾"
	G10105	-	Hex Nut, ¾"-10
18	G10626	-	Adapter, 1¼" NPT To Barb
19	G10672	1	Hose Clamp, No. 28
20	GD1515	1	Dust Cap, 1¼" Cam Lock
21	GD7145	1	U-Bolt, 7" x 7" x ½"-13
	GD11721	1	U-Bolt, 5" x 7" x ½"-13
	G10228	2	Lock Washer, ½"
	G10102	2	Hex Nut, ½"-13
22	G10674	-	Hose Clamp, No. 24
23	G10007	-	Hex Head Cap Screw, ⅝"-11 x 1½"
	G10230	-	Lock Washer, ⅝"
	G10104	-	Hex Nut, ⅝"-11
24	G10629	-	Elbow, 90°, 1¼" NPT To Barb
25	G4200-01	1	Hose, 1¼" x 22', 4 Row
26	G10633	-	Tee, 1¼" Barb

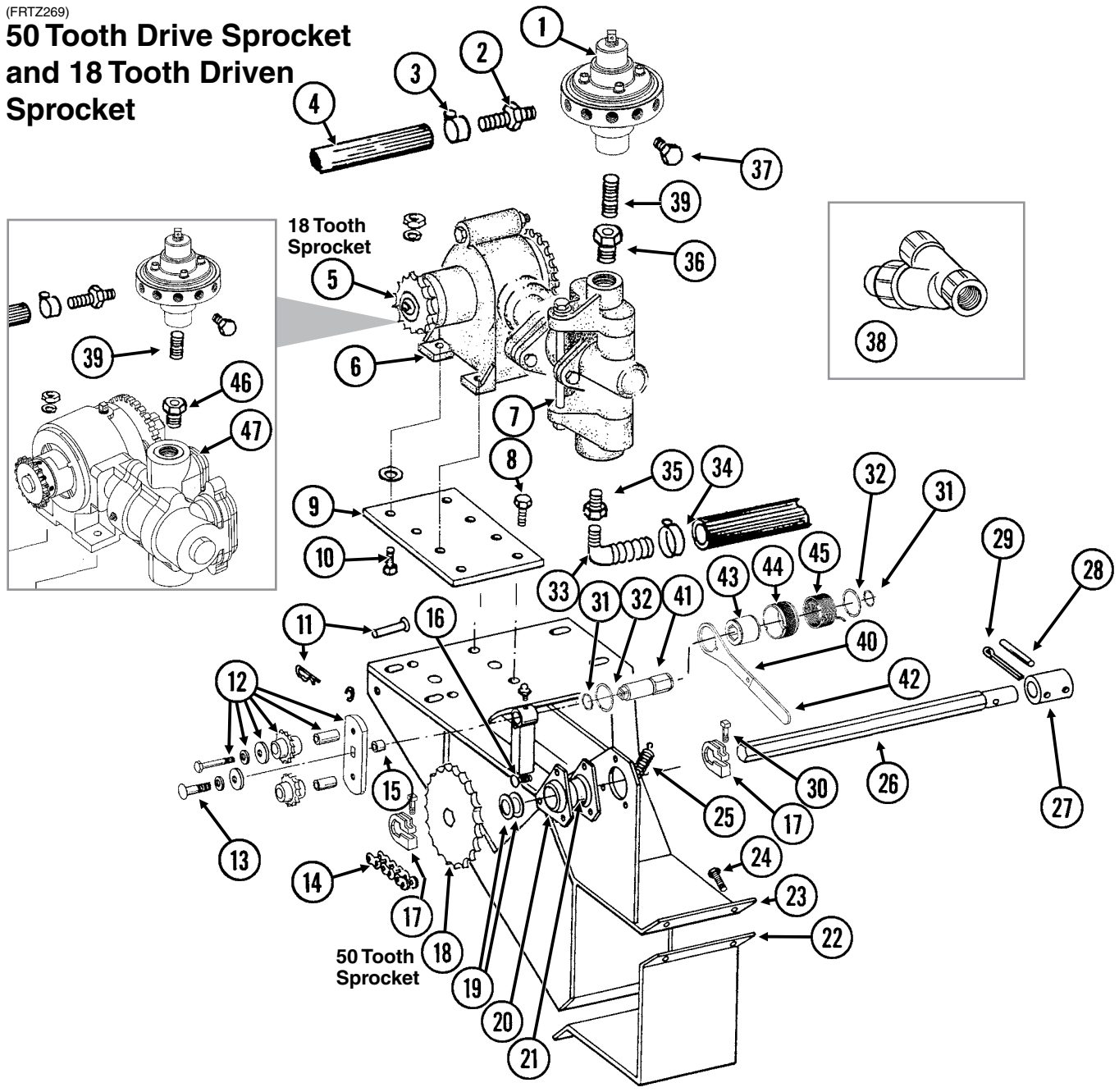
LFC012rev(PT36i/PT51)



ITEM	PART NO.	QTY.	DESCRIPTION
1	GD1517	1	Dust Plug, 1¼" Male Cam Lock
2	GD1516	1	Adapter, 1¼" Barb To Female Cam Lock
3	GD1514	1	Adapter, 1¼" Male NPT To Cam Lock
4	GA5917	1	Quick Fill Mount
5	G10619	1	Close Nipple, 1¼" NPT
6	GA4976	-	Shutoff Valve, 1¼" NPT
	GR1015	-	Body O-Ring
	GR1016	-	Stem O-Ring
	GR1017	-	Teflon Seat
	GR1018	-	Ball
	GR1019	-	Handle
7	GA7375	-	Tank Mount (2 Per Tank)
8	GD1862	-	Pad, 8" x 14' (For Two 30" Tanks)
9	GA14049	-	Tank W/Lid and Fittings, 30" x 150 Gallon, 6 and 8 Row
	GA16428	-	Lid, 7"
	GR1941	-	Lid Seal
	GR0513	-	¾" Polypropylene Fitting Assembly (Overflow Fitting, Nut, Bushing, and O-Ring) (Top and Bottom Of Tank)
	GR0508	-	1¼" Polypropylene Fitting Assembly (Nut, Bushing, and O-Ring) (Bottom Of Tank)
10	GD11124	-	Strap, 84"
11	G10626	2	Adapter, 1¼" NPT To Barb
12	G10674	2	Hose Clamp, No. 24
13	G4602-01	1	Black Helix Hose, 1¼" x 18'
14	G10096	-	Pipe Plug, ¾" NPT
15	G10485	-	Hex Head Tap Bolt, ⅜"-16 x 5"
	G10901	-	Lock Nut, ⅜"-16
16	GD10110	-	Mounting Angle (2 Per Tank)
17	GD1748	-	U-Bolt, 7" x 7" x ¾"-10
	G10231	-	Lock Washer, ¾"
	G10105	-	Hex Nut, ¾"-10
18	G10626	-	Adapter, 1¼" NPT To Barb
19	G10672	1	Hose Clamp, No. 28
20	GD1515	1	Dust Cap, 1 ¼" Cam Lock
21	GD7145	1	U-Bolt, 7" x 7" x ½"-13
	GD11721	1	U-Bolt, 5" x 7" x ½"-13
	G10228	2	Lock Washer, ½"
	G10102	2	Hex Nut, ½"-13
22	G10674	-	Hose Clamp, No. 24
23	G10007	-	Hex Head Cap Screw, ⅝"-11 x 1½"
	G10230	-	Lock Washer, ⅝"
	G10104	-	Hex Nut, ⅝"-11
24	G10629	-	Elbow, 90°, 1¼" NPT To Barb
25	G4200-02	-	Hose, 1¼" x 27', 6 Row
	G4200-03	-	Hose, 1¼" x 32', 8 Row
26	G10633	-	Tee, 1¼" Barb
27	GA14112	-	Hose Guide
	G10004	-	Hex Head Cap Screw, ⅜"-16 x 1¼"
	G11091	-	Serrated Flange Nut, ⅜"-16
28	GD20060	-	Hose Bracket
	G10004	-	Hex Head Cap Screw, ⅜"-16 x 1¼"
	G11091	-	Serrated Flange Nut, ⅜"-16
29	GD11123	-	Anchor

(FRTZ269)

50 Tooth Drive Sprocket and 18 Tooth Driven Sprocket



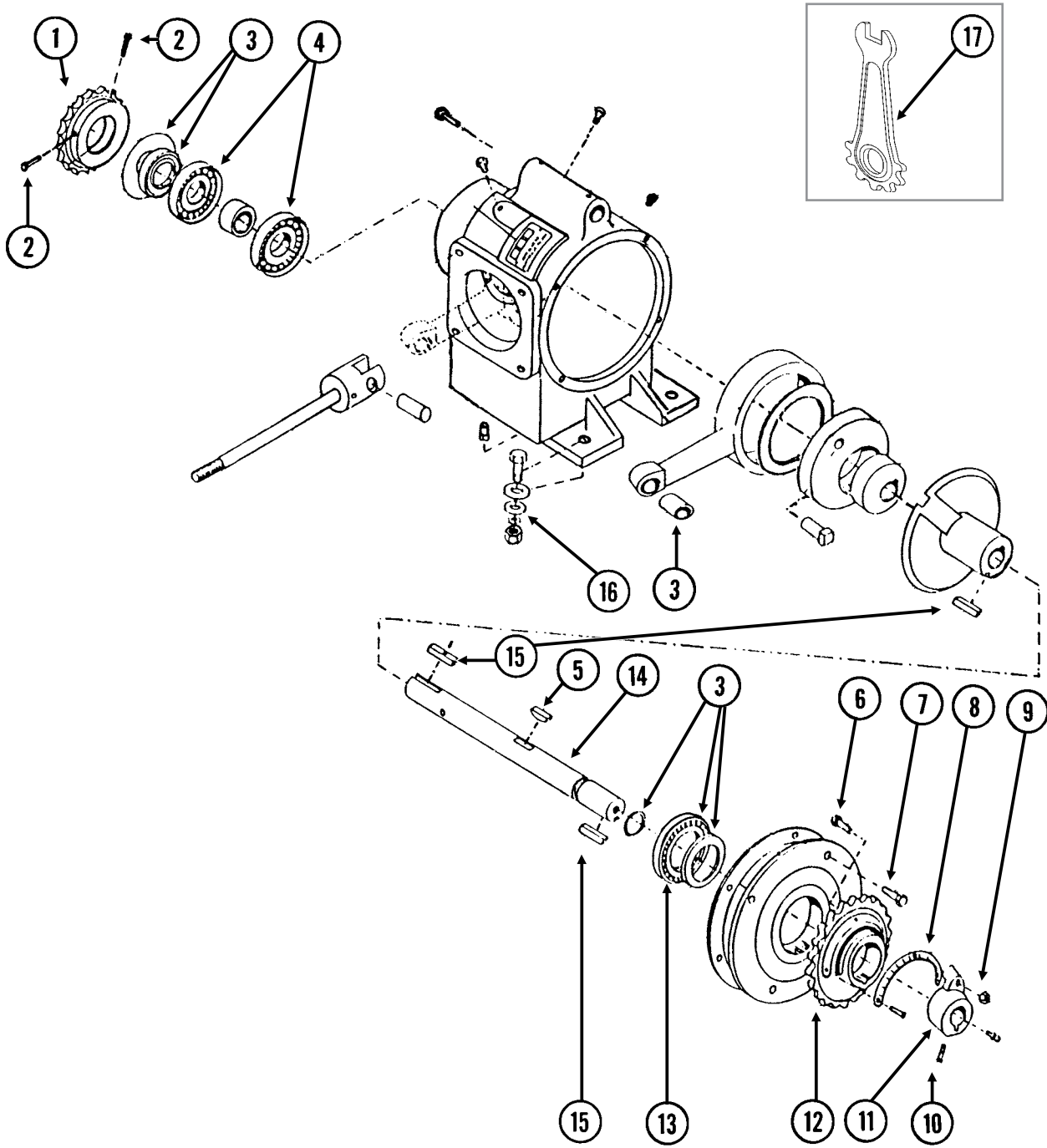
ITEM	PART NO.	QTY.	DESCRIPTION
1	---	-	See "Liquid Fertilizer Piston Pump Flow Divider" on page P127
2	GD11700	-	Adapter, 1/4" NPT To 3/8" Barb
3	G10681	-	Hose Clamp, No. 6
4	G4301-01	1	Hose, 3/8" x 30', 4 Row
	G4301-03	-	Hose, 3/8" x 60', 6 Row
	G4301-04	-	Hose, 3/8" x 100', 8 Row
5	---	-	See "Liquid Fertilizer Piston Pump (Cylinder Assembly) Uses 18 Tooth Sprocket" on page P123
6	---	-	See "Liquid Fertilizer Piston Pump (Cylinder Assembly) Uses 18 Tooth Sprocket" on page P123
7	---	-	See "Liquid Fertilizer Piston Pump (Cylinder Assembly) Uses 18 Tooth Sprocket" on page P123
8	G10004	4	Hex Head Cap Screw, 3/8"-16 x 1 1/4"
	G10229	4	Lock Washer, 3/8"
	G10101	4	Hex Nut, 3/8"-16
9	GD11180	1	Plate
10	G10003	4	Hex Head Cap Screw, 3/8"-16 x 1 1/2"
	G11387	4	Flat Washer, 3/8" SAE
	GR1122	4	Mounting Pad
	G10229	4	Lock Washer, 3/8"
	G10101	4	Hex Nut, 3/8"-16
11	G10478	1	Clevis Pin, 5/16" x 1"
	G10409	1	Retaining Ring, 5/16"
	G10670	1	Hair Pin Clip, No. 3
12	GA7336	1	Idler W/Bolt-On Sprockets
	GD7426	-	Sprocket, 12 Tooth
	GD1026	-	Sleeve, 1 3/16" Long
	G11387	-	Flat Washer, 3/8" SAE
	G10229	-	Lock Washer, 3/8"
	G10047	-	Hex Head Cap Screw, 3/8"-16 x 1 3/4"
13	G11100	1	Hex Socket Button Head Cap Screw, 1/4"-20 x 1/2", Grade 8
	G10227	1	Lock Washer, 1/4"
	G11453	1	Fender Washer, 1/4"
14	G3310-126	1	Chain, No. 40, 126 Pitch Including Connector Link
	GR0912	-	Connector Link, No. 40
15	GD2734-08	1	Sleeve, 1 1/4" O.D. x 5/8" Long
16	G10303	3	Carriage Bolt, 5/16"-18 x 1"
	G10232	3	Lock Washer, 5/16"
	G10106	3	Hex Nut, 5/16"-18
17	GD11045	2	Lock Clamp
	G10130	-	Square Head Machine Bolt, 5/16"-18 x 1 3/4"
	G10923	-	Flange Nut, 5/16"-18, No Serration
18	GA5194	1	Sprocket, 50 Tooth
19	G10233	2	Machine Bushing, 1", 10 Gauge
20	G3400-01	2	Flangette
21	G2100-03	1	Bearing, 7/8" Hex Bore, Spherical
22	GD15685	1	Clamp
23	GA6501	1	Drive Plate W/Grease Fitting
	G10641	-	Grease Fitting, 1/8" NPT
	G10640	-	Grease Fitting, 1/4"-28
24	G10017	4	Hex Head Cap Screw, 1/2"-13 x 1 1/2"
	G10228	4	Lock Washer, 1/2"
	G10102	4	Hex Nut, 1/2"-13
25	GD5857	1	Spring

ITEM	PART NO.	QTY.	DESCRIPTION
26	GD5990	1	Shaft, 74"
27	GD3839	1	Coupler, 2"
28	G10602	1	Spring Pin, 1/4" x 1 1/2"
29	G10460	1	Cotter Pin, 1/4" x 2"
30	G10130	-	Square Head Machine Bolt, 5/16"-18 x 1 3/4"
	G10923	-	Flange Nut, 5/16"-18, No Serration
31	G11075	2	External Inverted Snap Ring, 7/8"
32	G10496	2	External Inverted Snap Ring, 1 1/2"
33	G10629	1	Elbow, 90°, 1 1/4" NPT To Barb
34	---	-	See "Liquid Fertilizer Tanks, Saddle, Mounts, Hoses, and Fittings, 4 Row" on page P113 See "Liquid Fertilizer Tanks, Saddles, Mounts, Hoses, and Fittings, 6 and 8 Row" on page P115
35	G10615	1	Reducing Bushing, 1 1/2" Male NPT To 1 1/4" Female
36	G10995	1	Reducing Bushing, 1" Male NPT To 3/4" Female, Stainless Steel
37	G10292	-	Pipe Plug, 1/4" NPT
38	GA3893	1	Strainer Complete
	GR0880	-	Screen, No. 40 Mesh
	GR0881	-	Gasket
	GR0882	-	Y-Body
	GR0883	-	End Cap
39	G10994	1	Close Nipple, 3/4" NPT, Stainless Steel
40	GD14431	1	Handle
41	GD14427	1	Tightener Shaft, 4 7/8"
42	G11078	1	Vinyl Cap
43	GD14432	1	Sleeve, 1 1/4"
44	GD19343	1	Release Collar, R.H.
45	GD14413	1	Torsion Spring, L.H. (Used On R.H. Wrap Spring Wrench)
46	G11237	1	Reducing Bushing, 1 1/2" Male NPT To 3/4" Female
47	---	-	See "Liquid Fertilizer Piston Pump Uses 18 Tooth Sprocket" on page P125
A	G1K269	-	Lock Clamp Kit (Items 17 and 30)
B	G1K378	-	Wrap Spring Wrench Replacement Kit, Blue Collar, R.H., (Items 13, 15, 31, 32 and 41-46)

This page left blank intentionally.

JB-L4400-991/CCU077(FRTZ172a)

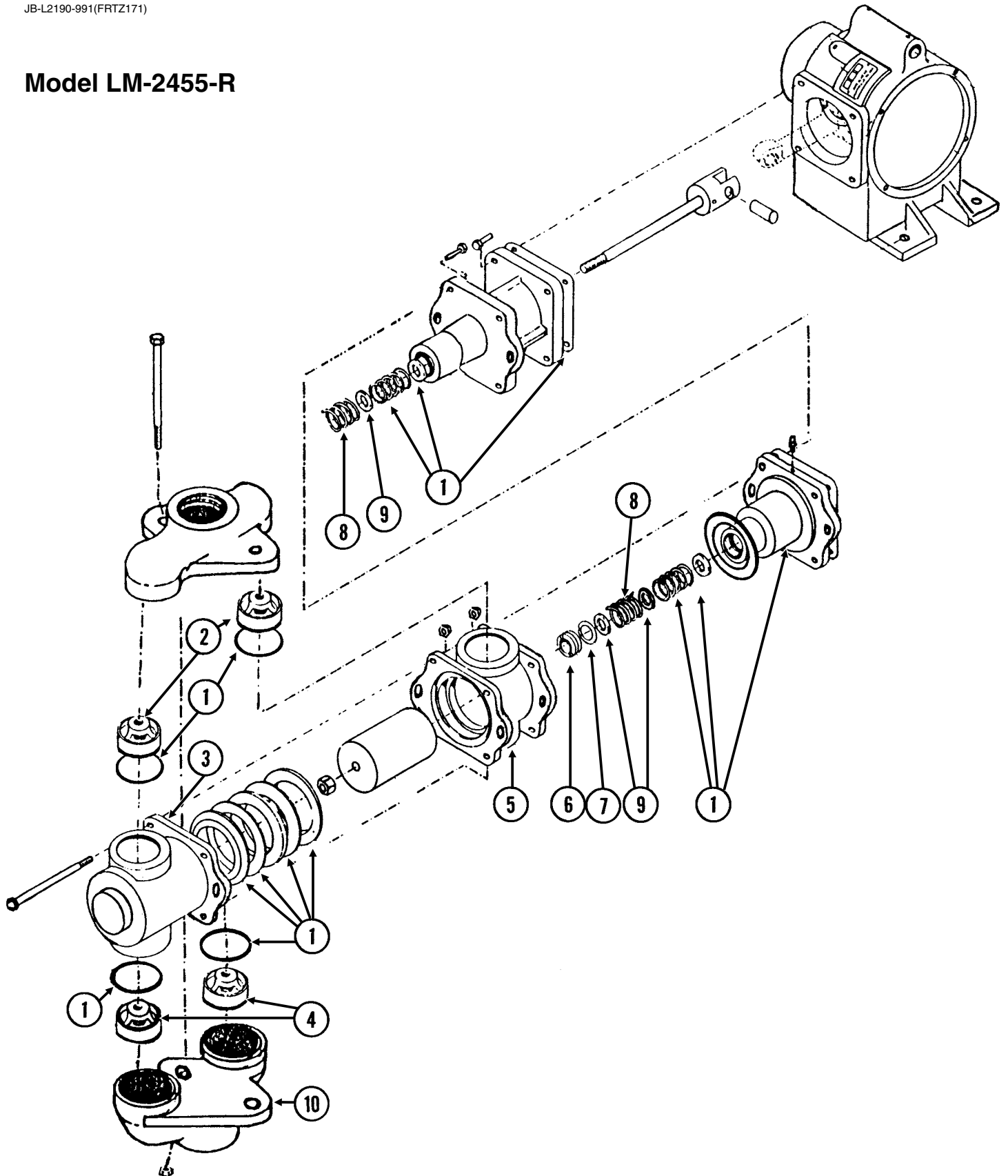
Model LM-2455-R



ITEM	PART NO.	QTY.	DESCRIPTION
1	GR1389	1	Sprocket, 18 Tooth
2	G10688	2	Square Head Set Screw, 3/8"-16 x 5/8"
3	GR1425	1	Repair Kit
4	GR1427	2	Bearing
5	GR1420	1	Woodruff Key, 3/8"-16 x 1 3/4"
6	GR1167	1	Square Head Cap Screw, 3/8"-16 x 1 3/4"
7	G10043	4	Hex Head Cap Screw, 5/16"-18 x 3/4"
8	GR1168	1	Scale
9	G10108	1	Lock Nut, 3/8"-16
10	G10693	3	Hex Socket Head Set Screw, 5/16"-18 x 3/8"
11	GR1165	1	Arm
12	GR1114	1	Flange
13	GR1116	1	Bearing
14	GR1421	1	Crankshaft
15	GR1118	2	Setting Arm Key
16	---	-	See "Liquid Fertilizer Piston Pump Drive" on page P117
17	GR1424	1	Adjustment Wrench
A	GA8069	-	Piston Pump Complete W/18 Tooth Sprocket (Model LM-2455-R), Includes Crankcase Assembly On This Page and Cylinder Assembly on page P133

JB-L2190-991(FRTZ171)

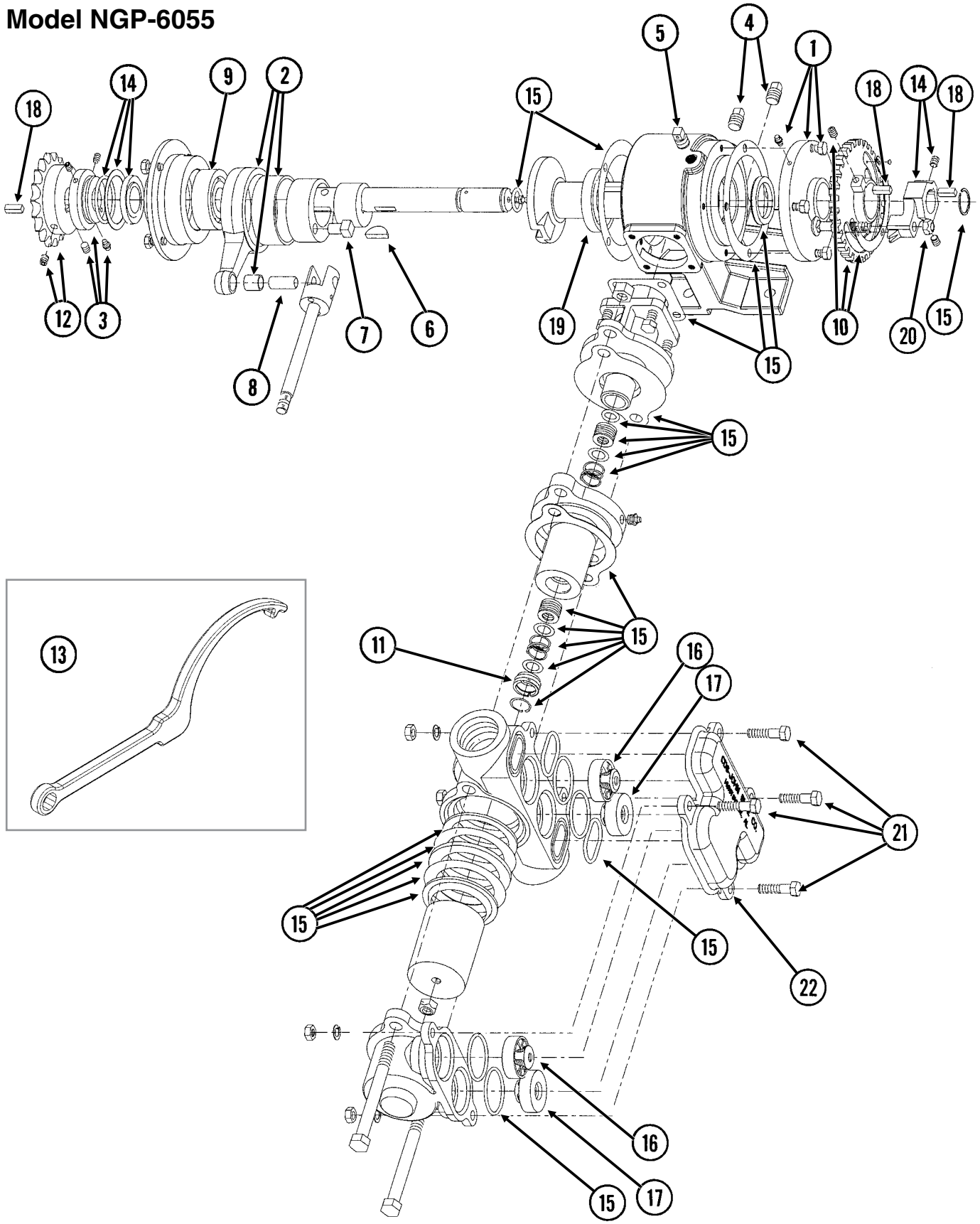
Model LM-2455-R



ITEM	PART NO.	QTY.	DESCRIPTION
1	GR1425	1	Repair Kit
2	GR1144	2	Discharge Valve
3	GR1423	1	Outboard Cylinder
4	GR1142	2	Suction Valve
5	GR1422	1	Inboard Cylinder
6	GR1134	1	Stuffing Box Insert
7	GR1133	1	Retaining Ring
8	GR1130	2	Packing Spring
9	GR1129	3	Washer
10	GR1451	1	Suction Manifold

(A12335a/GR1808)

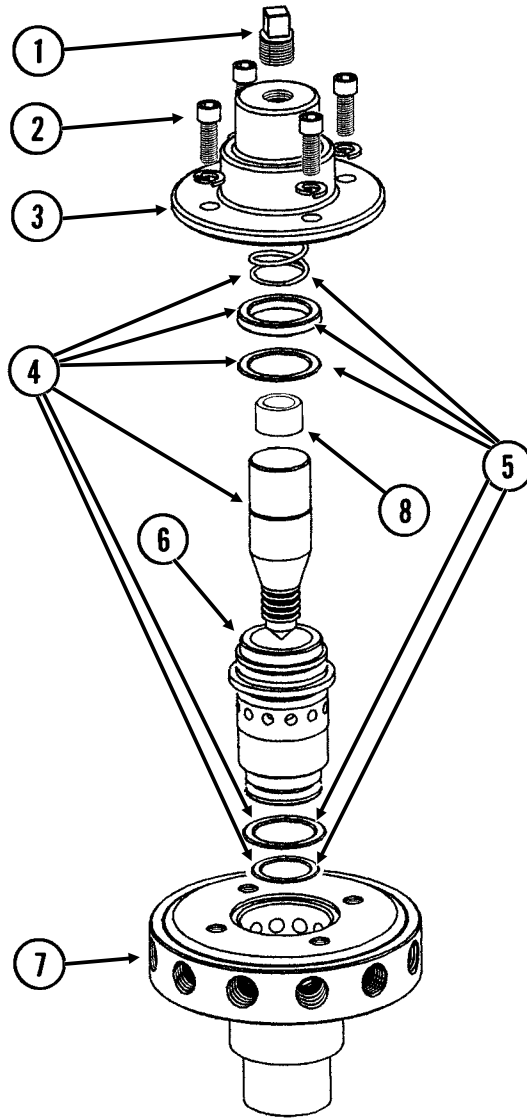
Model NGP-6055



ITEM	PART NO.	QTY.	DESCRIPTION
1	GR1804	1	Flange Cover Assembly
	G10991	4	Hex Head Cap Screw, 5/16"-18 x 7/8"
2	GR1802	1	Connecting Rod Assembly
3	GR1801	1	Spacer Assembly
	G10693	3	Hex Socket Head Set Screw, 5/16"-18 x 3/8"
4	GR1123	2	Plug
5	GR1543	1	Vent Plug
6	GR1112	1	Woodruff Key
7	GR1120	1	Eccentric Pin
8	GR1124	1	Pin
9	GR1104	1	Bearing
10	GR1805	1	Setting Hub Assembly
11	GR1134	1	Stuffing Box Insert
12	GR1389	1	Sprocket, 18 Tooth
13	GR1808	1	Adjustment Wrench
14	GR1806	1	Setting Pointer Assembly
15	GR1795	1	Repair Kit, Includes: (6) Gaskets, (9) O-Rings, (4) Washers, (1) Retaining Ring, (2) Oil Seals, (1) Snap Ring, (1) Thrust Washer, (1) Rod Bushing, (2) Flange Plunger Packings, (2) Packing Springs, (2) Rod Vee Packing Sets
16	GR1799	2	Discharge Valve Assembly
17	GR1797	2	Suction Valve Assembly
18	GR1118	3	Setting Arm Key
19	GR1116	1	Bearing
20	G10306	1	Carriage Bolt, 3/8"-16 x 2"
	G10108	1	Lock Nut, 3/8"-16
21	G10003	4	Hex Head Cap Screw, 3/8"-16 x 1 1/2"
	G11387	4	Flat Washer, 3/8" SAE
	G10229	4	Lock Washer, 3/8"
	G10101	4	Hex Nut, 3/8"-16
22	GR2003	1	Valve Cover
A	GA12330	-	Piston Pump Complete W/18 Tooth Sprocket (Model NGP-6055)

(FRTZ159/PT40a/FRTZ202c)

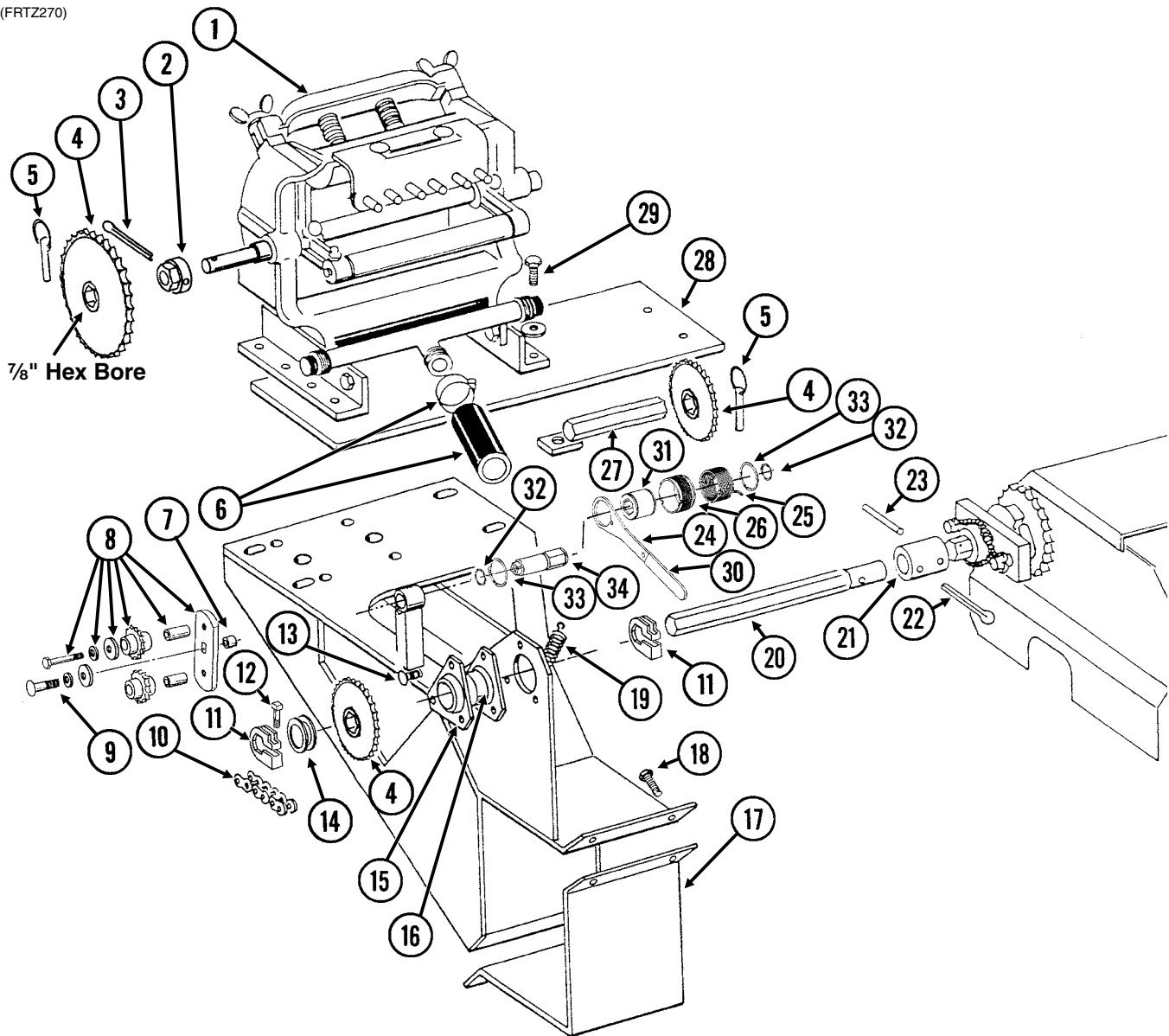
Model FD-1200 Flow Divider, 12 Outlet



3/4" NPT

ITEM	PART NO.	QTY.	DESCRIPTION
1	GR1543	1	Vent Plug
2	GR1542	4	Hex Socket Head Screw, 1/4"-20 x 3/4"
	GR1541	4	Lock Washer, 1/4", Stainless Steel
3	GR1540	1	Cap
4	GR1544	1	Needle Assembly W/Seal Kit (Item 22)
5	GR1545	1	Seal Kit, Includes: (3) O-Rings, (1) Seal, (1) Spring
6	GR1535	1	Sleeve
7	GR1533	1	Body (12 Outlet)
8	GR1574	1	Sleeve, 1" O.D. x 1/2" Long, Stainless Steel
A	GA8931	1	Liquid Fertilizer Piston Pump Flow Divider Complete, 12 Outlet (Model FD-1200)

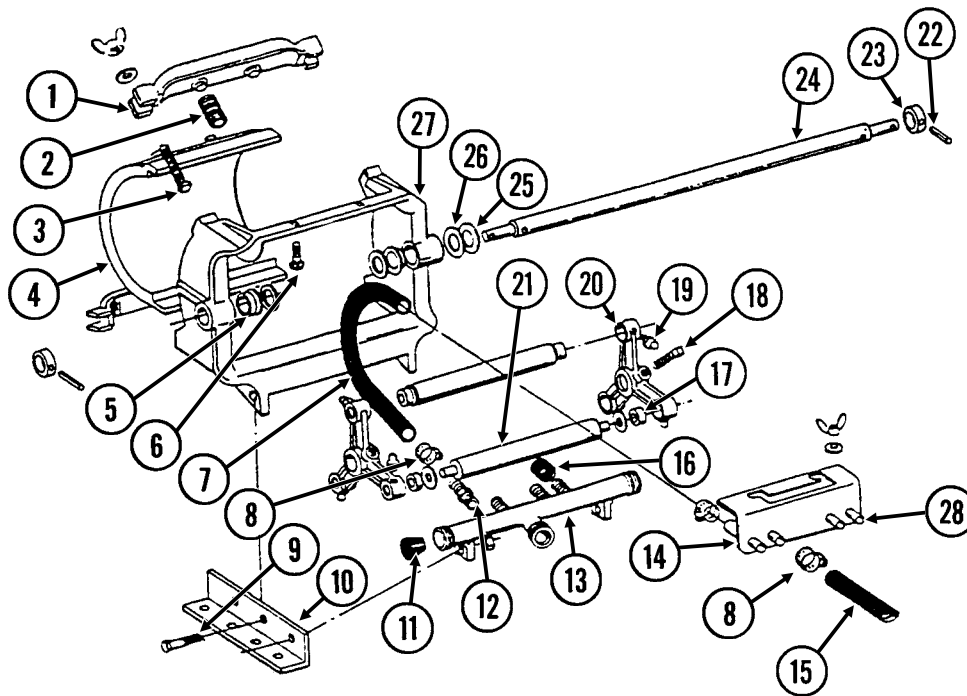
(FRTZ270)



ITEM	PART NO.	QTY.	DESCRIPTION
1	---	-	See "Liquid Fertilizer Squeeze Pump, 4 Row" on page P131 See "Liquid Fertilizer Squeeze Pump, 6 Row" on page P132 See "Liquid Fertilizer Squeeze Pump, 8 Row" on page P133
2	GD7127	1	Shear Coupler
3	G10821 G10455	1	Clevis Pin, 3/16 x 2" Cotter Pin, 1/16" x 1/2"
4	GA5105 GA5107 GA6513 GA5202 GA6514 GA6515	1 1 1 1 1 -	Sprocket, 15 Tooth Sprocket, 19 Tooth Sprocket, 32 Tooth Sprocket, 34 Tooth Sprocket, 46 Tooth Sprocket, 62 Tooth (Optional)
5	GD2558	2	Lynch Pin, 1/4"

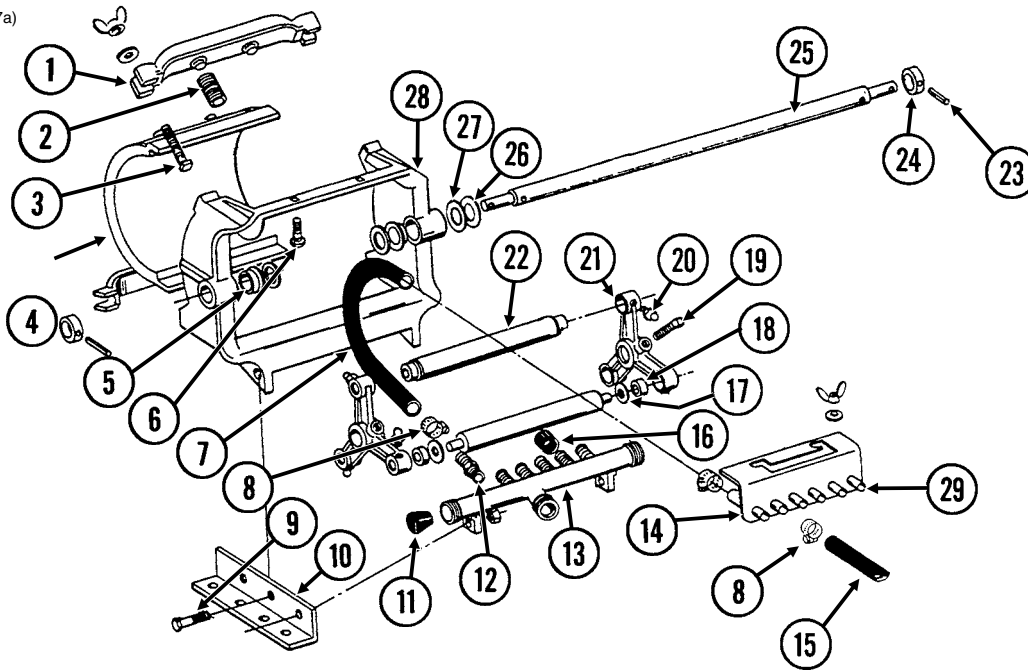
ITEM	PART NO.	QTY.	DESCRIPTION
6	---	-	See "Liquid Fertilizer Tanks, Saddle, Mounts, Hoses, and Fittings, 4 Row" on page P113 See "Liquid Fertilizer Tanks, Saddles, Mounts, Hoses, and Fittings, 6 and 8 Row" on page P115
7	GD2734-08	1	Sleeve, 1¼" O.D. x ⅝" Long
8	GA7336	1	Idler W/Bolt-On Sprockets
	GD7426	-	Sprocket, 12 Tooth
	GD1026	-	Sleeve, 1⅜" Long
	G11387	-	Flat Washer, ⅜" SAE
	G10229	-	Lock Washer, ⅜"
	G10047	-	Hex Head Cap Screw, ⅜"-16 x 1¾"
9	G11100	1	Hex Socket Button Head Cap Screw, ¼"-20 x ½", Grade 8
	G10227	1	Lock Washer, ¼"
	G11385	1	Flat Washer, ¼" SAE
10	G3310-140	1	Chain, No. 40, 140 Pitch Including Connector Link
	GR0912	-	Connector Link, No. 40
11	GD11045	2	Lock Clamp
12	G10130	2	Square Head Machine Bolt, ⅝"-18 x 1¾"
	G10923	2	Flange Nut, ⅝"-18, No Serration
13	G10303	3	Carriage Bolt, ⅝"-18 x 1"
	G10232	3	Lock Washer, ⅝"
	G10106	3	Hex Nut, ⅝"-18
14	G10233	-	Machine Bushing, 1", 10 Gauge
15	G3400-01	2	Flangette
16	G2100-03	1	Bearing, ⅞" Hex Bore, Spherical
17	GD15685	1	Clamp
18	G10017	4	Hex Head Cap Screw, ½"-13 x 1½"
	G10228	4	Lock Washer, ½"
	G10102	4	Hex Nut, ½"-13
19	GD5857	1	Spring
20	GD5988	-	Shaft, 36", 4 Row 30"/36"/38" and 6 Row 30"/36"/38"
	GD5990	-	Shaft, 74", 8 Row 30"
21	GD3839	1	Coupler, 2"
22	G10460	1	Cotter Pin, ¼" x 2"
23	G10602	1	Spring Pin, ¼" x 1½"
24	GD14431	1	Handle
25	GD14413	1	Torsion Spring, L.H. (Used On R.H. Wrap Spring Wrench)
26	GD19343	1	Release Collar, R.H.
27	GA5229	1	Sprocket Storage Rod
28	GD6165	-	Plate, 8 Row 30" Only
29	G10004	4	Hex Head Cap Screw, ⅜"-16 x 1¼"
	G11387	4	Flat Washer, ⅜" SAE
	G10229	4	Lock Washer, ⅜"
	G10101	4	Hex Nut, ⅜"-16
30	G11078	1	Vinyl Cap
31	GD14432	1	Sleeve, 1¼"
32	G11075	2	External Inverted Snap Ring, ⅞"
33	G10496	2	External Inverted Snap Ring, 1½"
34	GD14427	1	Tightener Shaft, 4⅞"
A	G1K269	-	Lock Clamp Kit (Items 11 and 12)
B	G1K378	-	Wrap Spring Wrench Replacement Kit, Blue Collar, R.H., (Items 7, 9, 24-26 and 32-36)

LFC011(PT46a)

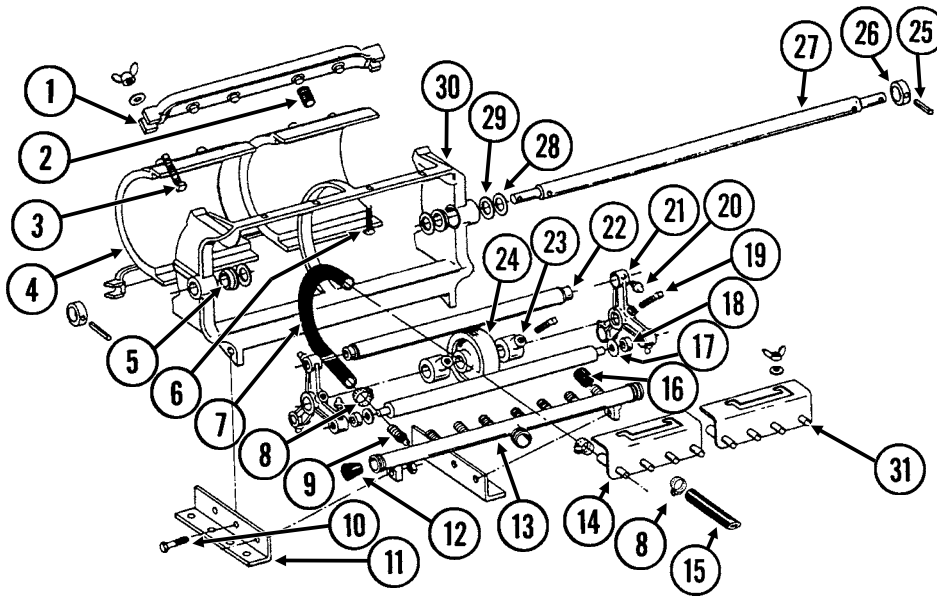


ITEM	PART NO.	QTY.	DESCRIPTION
1	GR0216	2	Spring Anchor Bar
2	GR0214	4	Spring
3	G10130	4	Square Head Machine Bolt, 5/16"-18 x 1 3/4"
	G11386	4	Flat Washer, 5/16" SAE
	G10144	4	Wing Nut, 5/16"-18
4	GR0212	1	Plate
5	GR0207	2	Nylon Bushing
6	G10303	2	Carriage Bolt, 5/16"-18 x 1"
	G11386	2	Flat Washer, 5/16" SAE
	G10144	2	Wing Nut, 5/16"-18
7	GR0215	4	Metering Hose, 1/2" x 13"
8	G10681	-	Hose Clamp, No. 6
9	G10004	4	Hex Head Cap Screw, 3/8"-16 x 1 1/4"
	G10101	4	Hex Nut, 3/8"-16
10	GR0213	2	Angle
11	GR0217	2	Manifold Plug
12	GR0232	4	Adapter
13	GR0228	1	Intake Manifold
14	GR1484	1	Discharge Manifold Less Hose Barbs
15	G4301-01	1	Hose, 3/8" x 30'
16	GR0211	2	Rubber Cap
17	GR0227	6	Nylon Washer
18	G10131	2	Square Head Set Screw, 5/16"-18 x 3/4"
19	G10640	2	Grease Fitting, 1/4"-28
20	GR0223	2	Roller Arm
21	GR0209	3	Roller
22	G10718	2	Spring Pin, 5/16" x 1 1/8"
23	GD9109	2	Sleeve
24	GD9107	1	Shaft
25	GR0226	2	Shim, 3/64"
26	GR0225	2	Shim, 1/32"
27	GR0208	1	Frame
28	GR1577	4	Nylon Hose Barb, 1/2" x 3/8" (If Applicable)
A	GA8690	-	Squeeze Pump Complete, 4 Row (Items 1-14, 16-21 and 24-28)

LFC011/LFC011(PT47a)

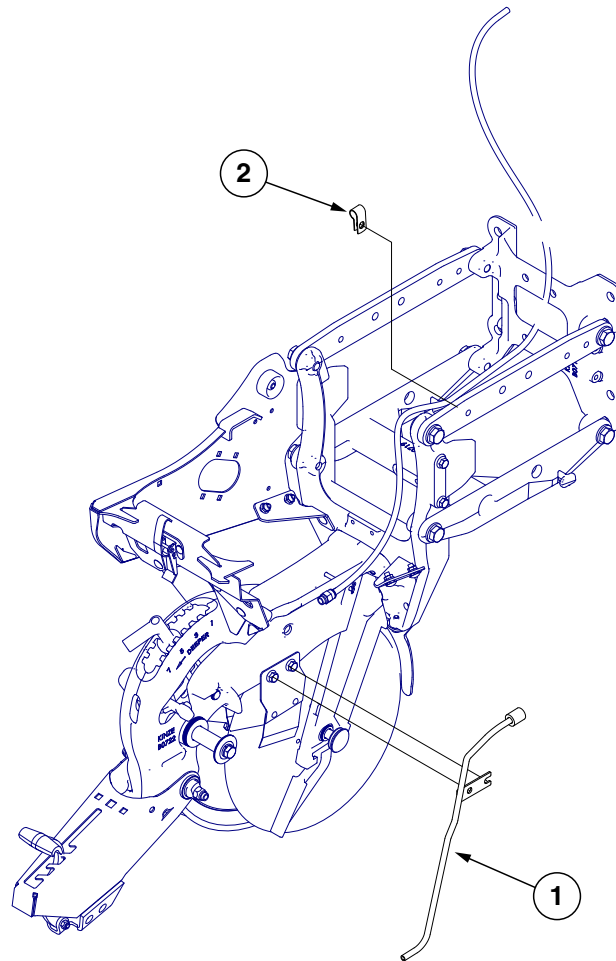


ITEM	PART NO.	QTY.	DESCRIPTION
1	GR0216	2	Spring Anchor Bar
2	GR0214	4	Spring
3	G10130	4	Square Head Machine Bolt, 5/16"-18 x 1 3/4"
	G11386	4	Flat Washer, 5/16" SAE
	G10144	4	Wing Nut, 5/16"-18
4	GR0212	1	Plate
5	GR0207	2	Nylon Bushing
6	G10303	2	Carriage Bolt, 5/16"-18 x 1"
	G11386	2	Flat Washer, 5/16" SAE
	G10144	2	Wing Nut, 5/16"-18
7	GR0215	6	Metering Hose, 1/2" x 13"
8	G10681	-	Hose Clamp, No. 6
9	G10004	4	Hex Head Cap Screw, 3/8"-16 x 1 1/4"
	G10101	4	Hex Nut, 3/8"-16
10	GR0213	2	Angle
11	GR0217	2	Manifold Plug
12	GR0232	6	Adapter
13	GR0228	1	Intake Manifold
14	GR1484	1	Discharge Manifold Less Hose Barbs
15	G4301-03	1	Hose, 3/8" x 60'
16	GR0211	-	Rubber Cap
17	GR0229	6	Nylon Washer
18	GR1626	6	Bushing
19	G10131	2	Square Head Set Screw, 5/16"-18 x 3/4"
20	G10640	8	Grease Fitting, 1/4"-28
21	GR0231	2	Roller Arm
22	GR0233	3	Roller
23	G10718	2	Spring Pin, 5/16" x 1 1/8"
24	GD9109	2	Sleeve
25	GD9107	1	Shaft
26	GR0226	2	Shim, 3/64"
27	GR0225	2	Shim, 1/32"
28	GR0208	1	Frame
29	GR1577	6	Nylon Hose Barb, 1/2" x 3/8" (If Applicable)
A	GA8691	-	Squeeze Pump Complete, 6 Row (Items 1-13, 15-22 and 25-29)

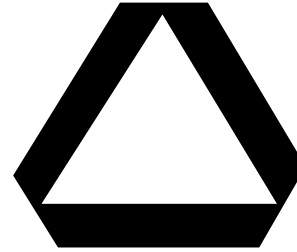
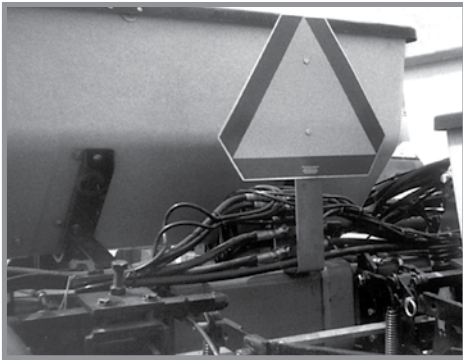


ITEM	PART NO.	QTY.	DESCRIPTION
1	GR0221	2	Spring Anchor Bar
2	GR0214	8	Spring
3	G10130	4	Square Head Machine Bolt, 5/16"-18 x 1 3/4"
	G11386	4	Flat Washer, 5/16" SAE
	G10144	4	Wing Nut, 5/16"-18
4	GR0212	2	Plate
5	GR0207	2	Nylon Bushing
6	G10303	4	Carriage Bolt, 5/16"-18 x 1"
	G11386	4	Flat Washer, 5/16" SAE
	G10144	4	Wing Nut, 5/16"-18
7	GR0215	8	Metering Hose, 1/2" x 13"
8	G10681	-	Hose Clamp, No. 6
9	GR0232	8	Adapter
10	G10004	4	Hex Head Cap Screw, 3/8"-16 x 1 1/4"
	G10101	4	Hex Nut, 3/8"-16
11	GR0279	1	Angle, L.H.
	GR0280	1	Angle, R.H.
12	GR0217	2	Manifold Plug
13	GR0284	1	Intake Manifold
14	GR1485	2	Discharge Manifold Less Hose Barbs
15	G4301-04	1	Hose, 3/8" x 100'
16	GR0211	-	Rubber Cap
17	GR0229	6	Nylon Washer
18	GR1626	6	Bushing
19	G10131	2	Square Head Set Screw, 5/16"-18 x 3/4"
20	G10640	8	Grease Fitting, 1/4"-28
21	GR0231	2	Roller Arm
22	GR0283	3	Roller
23	GR0282	2	Set Collar
24	GR0281	1	Back Up Roller
25	G10718	2	Spring Pin, 5/16" x 1 1/8"
26	GD9109	2	Sleeve
27	GD9108	1	Shaft
28	GR0226	4	Shim, 3/64"
29	GR0225	4	Shim, 1/32"
30	GR0222	1	Frame
31	GR1577	8	Nylon Hose Barb, 1/2" x 3/8" (If Applicable)
A	GA8692	-	Squeeze Pump Complete, 8 Row (Items 1-14, 16-24 and 27-31)

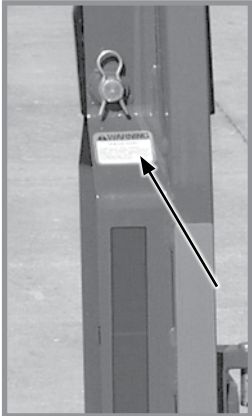
(A18821a)



ITEM	PART NO.	QTY.	DESCRIPTION
1	GA18822	-	Liquid Fertilizer Tube
2	GD13348	-	Insulated Clamp, 1 ¹ / ₁₆ "



Part No.: GD2199
 Description: SMV Sign
 Quantity: 1



Conventional Row Marker



Low Profile Row Marker



Part No.: G7100-42
 Description: Decal, Warning (Prior to 2012 Production)
 Quantity: 4 (2 Per Row Marker)



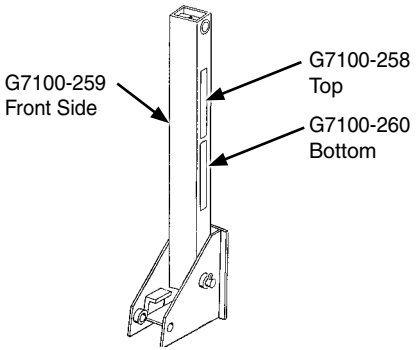
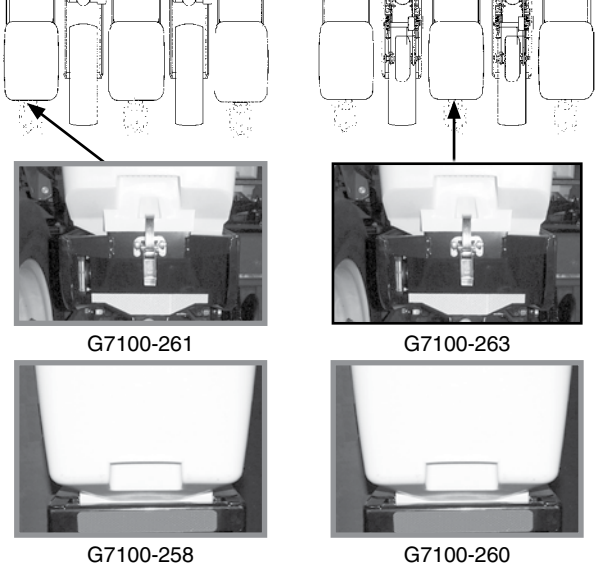
Conventional Row Marker

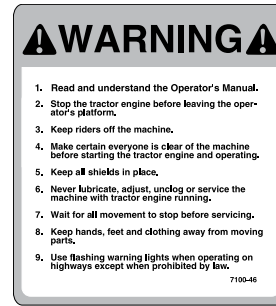


Low Profile Row Marker



Part No.: G7100-397
 Description: Decal, Warning (2012 Production and on)
 Quantity: 1 (Per Row Marker Cylinder - Conventional)
 4 (2 Per Row Marker)

	<div style="background-color: #cccccc; width: 100px; height: 20px; margin-bottom: 5px;"></div> <p>Part No.: G7100-258 Description: Reflective Decal, Red, 1½" x 9", Rectangular Quantity: 2 (1 Per Row Marker) (If Applicable)</p> <p>Part No.: G7100-259 Description: Reflective Decal, Amber, 1½" x 9", Rectangular Quantity: 2 (1 Per Row Marker)</p> <p>Part No.: G7100-260 Description: Reflective Decal, Orange, 1½" x 9", Rectangular Quantity: 2 (2 Per Row Marker)</p>
 <p>NOTE: Exceptions to above are 8 Row 30" planters. Red reflective decals are used on 1, 3, 6, and 8 row units. Orange reflective decals are used on 2, 4, 5, and 7 row units. (If Applicable)</p>	<div style="background-color: #cccccc; width: 100%; height: 20px; margin-bottom: 5px;"></div> <p>Part No.: G7100-261 Description: Reflective Decal, Red, 1¾" x 9", Die-Cut Quantity: 2 (One per row unit located on the hopper support on the outside row unit on each end of the planter) (if applicable)</p> <p>Part No.: G7100-263 Description: Reflective Decal, Orange, 1¾" x 9", Die-Cut Quantity: 2 (One per row unit located on the hopper support on the second row unit in on each end of the planter) (if applicable)</p> <p>Part No.: G7100-258 Description: Reflective Decal, Red, 1½" x 9", Rectangular Quantity: 2 (One per row unit located on the granular chemical hopper panel extension on the outside row unit on each end of the planter) (If applicable)</p> <p>Part No.: G7100-260 Description: Reflective Decal, Orange, 1½" x 9", Rectangular Quantity: 2 (One per row unit located on the granular chemical hopper panel extension on the second row unit in on each end of the planter) (if applicable)</p>



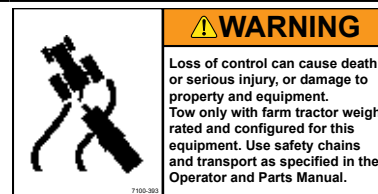
Part No.: G7100-46 (used prior to 2013 production)
 Description: Decal, Warning
 Quantity: 1



Part No.: G7100-90 (used prior to 2013 production)
 Description: Decal, Warning
 Quantity: 1

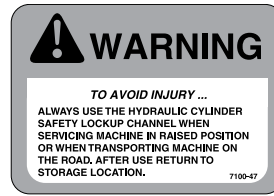
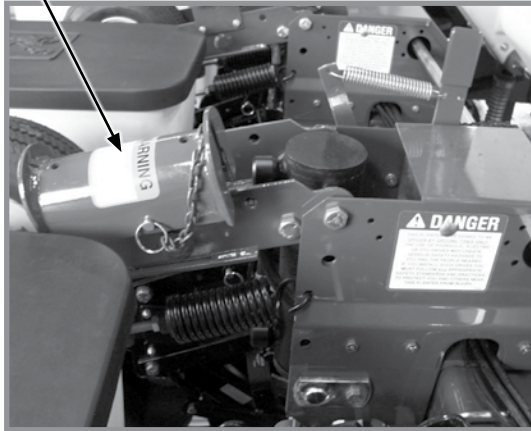


Part No.: G7100-302 (used prior to 2013 production) (replaced by G7100-393)
 Description: Decal, Warning
 Quantity: 1



Part No.: G7100-393 (replaces G7100-302) (2013 production)
 Description: Decal, Warning
 Quantity: 1

G7100-47
or
G7100-385



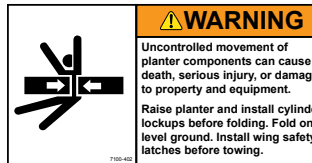
Part No.: G7100-47
Description: Decal, Warning (Prior to 2012 Production)
Quantity: 1 (Per Contact Wheel Assembly)






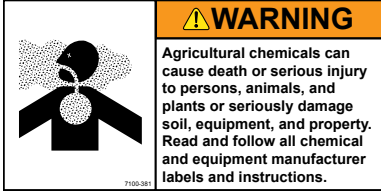


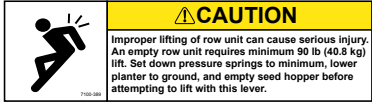
Part No.: G7100-385
Description: Decal, Warning (2012 Production and on)
Quantity: 1 (Per Contact Wheel Assembly)

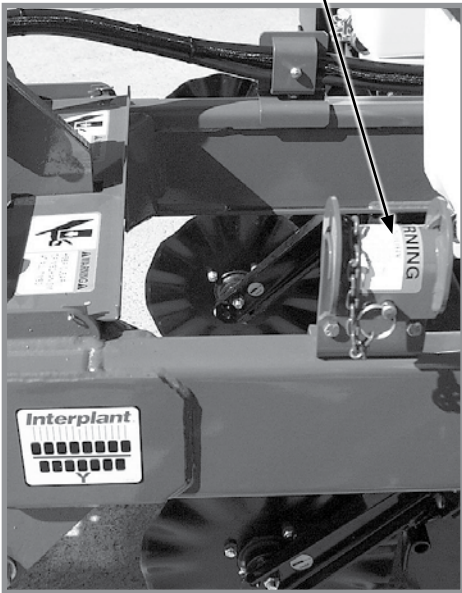

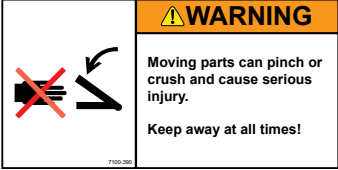
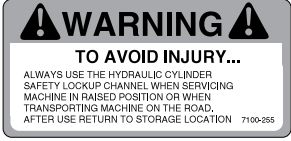
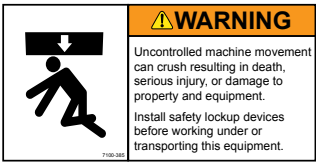
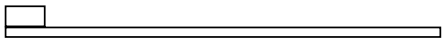
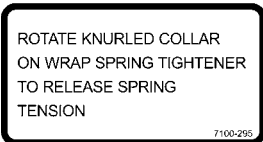



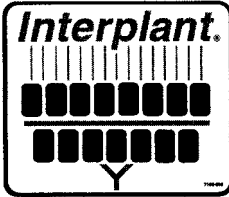


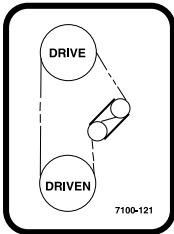
Part No.: G7100-89 (used prior to 2013 production) (replaced by G7100-402)
Description: Decal, Danger
Quantity: 1 (Per Contact Wheel Assembly)

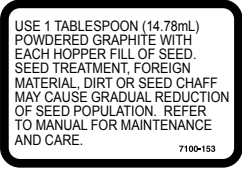



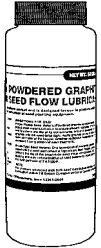
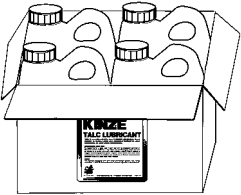
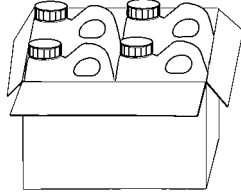





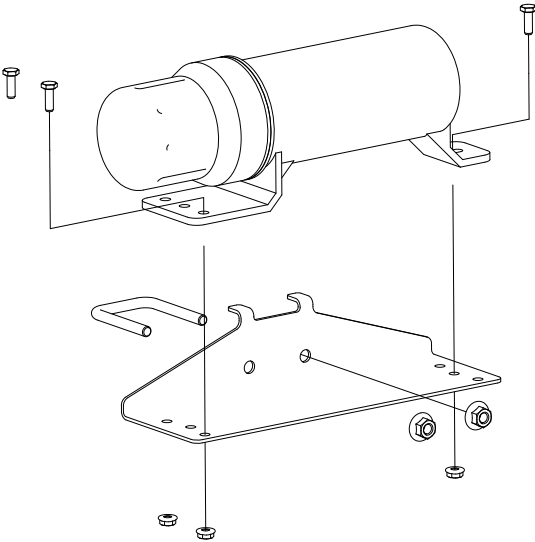

Part No.: G7100-402 (2013 production and on) (replaces G7100-89)
Description: Decal, Warning
Quantity: 1 (Per Contact Wheel Assembly)

	
	<p>Part No.: G7100-115 (used prior to 2013 production) (replaced by G7100-381)</p> <p>Description: Decal, Warning</p> <p>Quantity: 1 (1 Per Row Unit - Located On Underside Of Granular Chemical Hopper Lid)</p>
	
	<p>Part No.: G7100-381 (2013 production and on) (replaced by G7100-115)</p> <p>Description: Decal, Warning</p> <p>Quantity: 1 (1 Per Row Unit - Located On Underside Of Granular Chemical Hopper Lid)</p>
	
	<p>Part No.: G7100-249</p> <p>Description: Decal, Caution (Prior to 2012 Production)</p> <p>Quantity: 1 (Located On Interplant Push Row Unit Lift Lever)</p>
	
	<p>Part No.: G7100-389</p> <p>Description: Decal, Caution (2012 Production and on)</p> <p>Quantity: 1 (Located On Interplant Push Row Unit Lift Lever)</p>

<p style="text-align: center;">G7100-255 or G7100-385</p> 	
<p>Part No.: G7100-253 (used prior to 2013 production) (replaced by G7100-390) Description: Decal, Warning Quantity: 2 (Located On Interplant Self-Leveling Hitch Extension)</p>	
<p>Part No.: G7100-390 (2013 production and on) (replaces G7100-253) Description: Decal, Warning Quantity: 2 (Located On Interplant Self-Leveling Hitch Extension)</p>	
<p>Part No.: G7100-255 Description: Decal, Warning (Prior to 2012 Production) Quantity: 1 (Located On Interplant Lift Cylinder Lockup)</p>	
<p>Part No.: G7100-385 Description: Decal, Warning (2012 Production and On) Quantity: 1 (Located On Interplant Lift Cylinder Lockup)</p>	
<p>Part No.: GD1162 Description: Tie Strap, 28"</p> <p>Part No.: GD1512 Description: Tie Strap, 7½"</p> <p>Part No.: GD2117 Description: Tie Strap, 14½"</p> <p>Part No.: GD2984 Description: Tie Strap, 34"</p>	
<p>Part No.: G7100-295 Description: Decal, Spring Tension Release Quantity: -</p>	

	<p>Part No.: G7100-104 Description: Decal, KINZE, 3" x 12" Quantity: 1</p>
	<p>Part No.: G7100-208 Description: Decal, Interplant Quantity: 2</p>
	<p>Part No.: G7100-247 Description: Decal, Logo, 4$\frac{3}{8}$" x 4$\frac{1}{2}$" Quantity: 2 (Per Row Unit)</p> <p>Part No.: G7100-252 Description: Decal, Logo, 3$\frac{1}{2}$" x 3$\frac{5}{8}$" (Hopper Panel Extension) Quantity: -</p>
<p>Double Frame[®]</p>	<p>Part No.: G7100-60 Description: Decal, Double Frame Quantity: 1</p>
<p>3000</p>	<p>Part No.: G7100-238 Description: Decal, 3000 Quantity: 1</p>
<p>G7100-217</p> <div data-bbox="245 1073 636 1245" style="border: 1px solid black; padding: 5px;"> <p style="text-align: center;">NOTE</p> <p>It is the responsibility of the user to read and understand the Operator's Manual in regards to safety, operation, lubrication and maintenance before operation of this equipment.</p> <p>AN OPERATOR & PARTS MANUAL IS AVAILABLE FOR THIS MACHINE.</p> <p>To obtain a manual, furnish model number and serial number and contact your KINZE Dealer or KINZE Manufacturing, Inc., P.O. Box 806 Williamsburg, IA 52361-0806 USA</p> </div> <p>G7100-387</p> <div data-bbox="245 1316 636 1512" style="border: 1px solid black; padding: 5px;"> <div style="display: flex; align-items: center;">  <p>WARNING</p> </div> <p>Improper operation or servicing of this equipment can result in death or serious injury. Read and follow all instructions in the Operator and Parts Manual.</p> <p>Contact your Kinze dealer or go to www.kinze.com to order a replacement manual.</p> </div>	<p>Part No.: G7100-217 (used prior to 2013 production) (replaced by G7100-387) Description: Decal, Note Quantity: 1</p> <p>Part No.: G7100-387 (2013 production and on) (replaces G7100-217) Description: Decal, Warning Quantity: 1</p>
<div data-bbox="287 1537 587 1680" style="border: 2px solid black; padding: 10px; text-align: center;"> <p>TORQUE 5/8" SPINDLE BOLTS TO 120 FT/LBS. (162.7 Nm). CHECK PERIODICALLY AND RE-TORQUE AS NEEDED.</p> <p style="font-size: small;">7100-234</p> </div>	<p>Part No.: G7100-234 Description: Decal, Bolt Torque Quantity: -</p>
	<p>Part No.: G7100-121 Description: Decal, Transmission Quantity: 1</p>

	<p>Part No.: G7100-153 Description: Decal, Information Quantity: 1 Per Brush-Type Seed Meter</p>
	<p>Part No.: G7100-111 Description: Decal, Oil Daily Quantity: -</p>
	<p>Part No.: G7100-116 Description: Decal, Grease Daily Quantity: -</p>
	<p>Part No.: GR0155 Description: Blue Paint, Aerosol Can Part No.: GR0155MPP Description: Blue Paint, Twelve Aerosol Cans</p>
	<p>Part No.: GR0146 Description: Powdered Graphite, 1 Pound Container Part No.: GR0146MPP Description: Powdered Graphite, Twenty-Four 1 Pound Containers</p>
	<p>Part No.: GR1570MPP Description: Talc Lubricant, Four 8 Pound Containers Part No.: GR1828 Description: Talc Lubricant, 30 Pound Container</p>
	<p>Part No.: GR1842MPP Description: Graphite Lubricant, Four 5 Pound Containers</p>

	<p>Part No.: G7100-292 Description: Decal, KINZE 3000 (Prior to 2011 production) Quantity: 2 (1 On Each Side of Hitch)</p>
	<p>Part No.: G7100-363 Description: Decal, KINZE 3000 (2011 production and on) Quantity: 2 (1 On Each Side of Hitch)</p>
	<p>Part No.: GM0188-01 Description: Operator Manual, Model 3000 (Mechanical Seed Metering)</p> <p>Part No.: GM0188-02 Description: Parts Manual, Model 3000 (Mechanical Seed Metering)</p> <p>Part No.: GPR1094 Description: Binder (Contact Kinze Parts To Order)</p>
	<p>Part No.: GA15422 Description: Operator's Manual Canister Quantity: 1</p>
	<p>Part No.: GD22685 Description: Manual Canister Bracket Quantity: 1</p>
	<p>Part No.: GD22692 Description: U-Bolt, 1 3/4" x 1 3/4" x 3/8"-16 Quantity: 1</p>
	<p>Part No.: G11091 Description: Serrated Flange Nut, 3/8"-16 Quantity: 2</p>
	<p>Part No.: G11166 Description: Hex Socket Flange Cap Screw, 1/4"-20 x 3/4" Quantity: 3</p>
	<p>Part No.: G10621 Description: Serrated Flange Nut, 1/4"-20 Quantity: 3</p> <p>Part No.: G7100-484 Description: Decal, American Flag</p>

Part No.	Page	Part No.	Page	Part No.	Page	Part No.	Page
*A1000.....	P80	*A3135.....	P80	*D12235.....	P72	G1K362.....	P86
*A1000.....	P82	*A3135.....	P82	*D12236.....	P71	G1K362.....	P88
*A1013.....	P82	*A3136.....	P78	*D12236.....	P72	G1K362.....	P91
*A1018.....	P78	*A3137.....	P82	*D12251.....	P68	G1K363.....	P86
*A1018.....	P80	*A3142.....	P78	*D12251.....	P69	G1K363.....	P88
*A1018.....	P82	*A3142.....	P80	*D12251.....	P70	G1K363.....	P91
*A1019.....	P80	*A3142.....	P80	*D12256.....	P71	G1K378.....	P59
*A1019.....	P82	*A3142.....	P82	*D12256.....	P72	G1K378.....	P119
*A1020.....	P78	*A3142.....	P82	*D12275.....	P70	G1K378.....	P130
*A1020.....	P78	*A3143.....	P82	*D12277.....	P71	G1K385.....	P26
*A1020.....	P78	*A3147.....	P78	*D12277.....	P72	G1K531.....	P38
*A1020.....	P82	*A3147.....	P80	*D12279.....	P69	G1K534.....	P42
*A1021.....	P78	*A3147.....	P82	*D12280.....	P68	G1K535.....	P42
*A1021.....	P82	*A3150.....	P80	*D29649.....	P68	G306-08.....	P78
*A1039.....	P82	*A3150.....	P82	*D29649.....	P69	G306-08.....	P80
*A1044.....	P82	*A3175.....	P80	*D29692.....	P71	G306-08.....	P82
*A1054.....	P82	*A3208.....	P80	*D29692.....	P72	G2100-03.....	P54
*A1055.....	P82	*A3208.....	P82	*D30399.....	P70	G2100-03.....	P59
*A1076.....	P78	*A3209.....	P82	G1K215.....	P96	G2100-03.....	P118
*A1076.....	P78	*A3211.....	P78	G1K248.....	P84	G2100-03.....	P130
*A1076.....	P80	A4295.....	P68	G1K248.....	P86	G2403-06.....	P78
*A1076.....	P80	A7370.....	P54	G1K248.....	P88	G2403-08.....	P78
*A1076.....	P82	A7538.....	P69	G1K248.....	P91	G2403-08.....	P78
*A1076.....	P82	A8011.....	P48	G1K249.....	P88	G2403-08.....	P80
*A1079.....	P82	A8012.....	P48	G1K249.....	P90	G2403-08.....	P82
*A1086.....	P80	A8013.....	P48	G1K252.....	P84	G2603-08.....	P80
*A1090.....	P82	A8014.....	P48	G1K252.....	P86	G2603-08.....	P82
*A1102.....	P78	A8015.....	P48	G1K252.....	P88	G2603-08-08-06.....	P78
*A1105.....	P80	A8016.....	P48	G1K252.....	P91	G2603-08-08-06.....	P80
*A1138.....	P78	A8017.....	P48	G1K253.....	P54	G2701-08.....	P78
*A1138.....	P80	A8018.....	P48	G1K267.....	P86	G2703-08.....	P80
*A1150.....	P78	A8019.....	P48	G1K267.....	P88	G2703-08.....	P82
*A1153.....	P78	A8020.....	P48	G1K267.....	P90	G3303-16.....	P2
*A1168.....	P80	A8775.....	P71	G1K268.....	P86	G3303-96.....	P42
*A1170.....	P78	A8827.....	P70	G1K268.....	P88	G3303-98.....	P2
*A1171.....	P78	A8923.....	P73	G1K268.....	P90	G3303-114.....	P23
*A1173.....	P78	A9442.....	P72	G1K269.....	P55	G3305-01.....	P27
*A1173.....	P80	A10759.....	P22	G1K269.....	P56	G3310-80.....	P59
*A1177.....	P78	*D12038.....	P69	G1K269.....	P119	G3310-92.....	P58
*A1177.....	P80	*D12056.....	P68	G1K269.....	P130	G3310-98.....	P108
*A1179.....	P78	*D12210.....	P68	G1K296.....	P6	G3310-100.....	P58
*A1179.....	P80	*D12210.....	P69	G1K320.....	P84	G3310-126.....	P118
*A1182.....	P78	*D12210.....	P70	G1K320.....	P88	G3310-132.....	P54
*A1182.....	P78	*D12212.....	P70	G1K320.....	P90	G3310-140.....	P130
*A1182.....	P80	*D12213.....	P70	G1K321.....	P84	G3400-01.....	P54
*A3113.....	P78	*D12227.....	P69	G1K321.....	P88	G3400-01.....	P59
*A3114.....	P82	*D12228.....	P69	G1K321.....	P90	G3400-01.....	P118
*A3115.....	P80	*D12231.....	P68	G1K322.....	P88	G3400-01.....	P130
*A3119.....	P80	*D12232.....	P68	G1K322.....	P90	G4100-02.....	P47
*A3128.....	P82	*D12233.....	P71	G1K323.....	P87	G4200-01.....	P114
*A3132.....	P82	*D12233.....	P72	G1K323.....	P90	G4200-02.....	P116
*A3135.....	P78	*D12235.....	P71	G1K345.....	P10	G4200-03.....	P116

Part No.	Page	Part No.	Page	Part No.	Page	Part No.	Page
G4205-11.....	P114	G7100-249.....	P139	G10004.....	P116	G10021.....	P18
G4301-01.....	P118	G7100-252.....	P141	G10004.....	P116	G10022.....	P18
G4301-01.....	P131	G7100-253.....	P140	G10004.....	P118	G10022.....	P86
G4301-03.....	P118	G7100-255.....	P140	G10004.....	P130	G10022.....	P88
G4301-03.....	P132	G7100-258.....	P136	G10004.....	P131	G10023.....	P22
G4301-04.....	P118	G7100-258.....	P136	G10004.....	P132	G10023.....	P84
G4301-04.....	P133	G7100-259.....	P136	G10004.....	P133	G10026.....	P50
G4602-01.....	P116	G7100-260.....	P136	G10005.....	P40	G10026.....	P50
G6326X.....	P3	G7100-260.....	P136	G10005.....	P47	G10026.....	P52
G6400-08.....	P78	G7100-260.....	P136	G10005.....	P54	G10033.....	P34
G6400-08.....	P80	G7100-261.....	P136	G10006.....	P8	G10033.....	P58
G6400-08.....	P82	G7100-263.....	P136	G10006.....	P34	G10033.....	P108
G6400-08.....	P82	G7100-292.....	P143	G10006.....	P52	G10035.....	P106
G6400-08-04.....	P82	G7100-295.....	P140	G10007.....	P3	G10036.....	P28
G6400-08-06.....	P82	G7100-302.....	P137	G10007.....	P4	G10037.....	P58
G6408-08.....	P68	G7100-363.....	P143	G10007.....	P11	G10037.....	P110
G6408-08.....	P69	G7100-381.....	P139	G10007.....	P40	G10038.....	P59
G6408-08.....	P70	G7100-385.....	P138	G10007.....	P97	G10039.....	P30
G6408-08.....	P71	G7100-385.....	P140	G10007.....	P114	G10039.....	P32
G6408-08.....	P72	G7100-387.....	P141	G10007.....	P116	G10039.....	P40
G6500-06.....	P78	G7100-389.....	P139	G10008.....	P50	G10039.....	P84
G6500-06.....	P80	G7100-390.....	P140	G10008.....	P62	G10039.....	P98
G6500-08.....	P82	G7100-393.....	P137	G10009.....	P50	G10043.....	P122
G6500-08-06.....	P82	G7100-397.....	P135	G10010.....	P6	G10045.....	P34
G6502-06.....	P78	G7100-402.....	P138	G10010.....	P36	G10045.....	P66
G6502-06.....	P80	G7100-484.....	P143	G10010.....	P38	G10045.....	P94
G6502-08.....	P82	G7566X.....	P11	G10010.....	P40	G10046.....	P40
G6602-08.....	P80	G8647x.....	P90	G10010.....	P96	G10046.....	P94
G6602-08.....	P82	G9566X.....	P47	G10010.....	P105	G10046.....	P100
G6795X.....	P106	G10001.....	P3	G10011.....	P40	G10047.....	P59
G6801-06-08.....	P78	G10001.....	P8	G10011.....	P40	G10047.....	P100
G6801-06-08.....	P80	G10001.....	P10	G10011.....	P100	G10047.....	P108
G6801-08.....	P78	G10001.....	P46	G10013.....	P10	G10047.....	P118
G6801-08.....	P80	G10001.....	P46	G10014.....	P6	G10047.....	P130
G6801-08.....	P82	G10001.....	P46	G10014.....	P40	G10048.....	P48
G7100-42.....	P135	G10001.....	P88	G10015.....	P8	G10048.....	P48
G7100-46.....	P137	G10001.....	P90	G10016.....	P98	G10048.....	P48
G7100-47.....	P138	G10001.....	P97	G10016.....	P108	G10049.....	P98
G7100-60.....	P141	G10002.....	P22	G10017.....	P30	G10053.....	P52
G7100-89.....	P138	G10002.....	P100	G10017.....	P30	G10053.....	P58
G7100-90.....	P137	G10003.....	P2	G10017.....	P32	G10053.....	P58
G7100-104.....	P141	G10003.....	P26	G10017.....	P32	G10053.....	P108
G7100-111.....	P142	G10003.....	P38	G10017.....	P48	G10055.....	P54
G7100-115.....	P139	G10003.....	P118	G10017.....	P59	G10061.....	P14
G7100-116.....	P142	G10003.....	P126	G10017.....	P59	G10061.....	P48
G7100-121.....	P141	G10004.....	P38	G10017.....	P100	G10064.....	P10
G7100-153.....	P142	G10004.....	P42	G10017.....	P118	G10064.....	P53
G7100-208.....	P141	G10004.....	P42	G10017.....	P130	G10064.....	P54
G7100-217.....	P141	G10004.....	P54	G10018.....	P6	G10064.....	P84
G7100-234.....	P141	G10004.....	P54	G10018.....	P8	G10071.....	P50
G7100-238.....	P141	G10004.....	P59	G10019.....	P94	G10071.....	P52
G7100-247.....	P141	G10004.....	P98	G10020.....	P18	G10096.....	P114

Part No.	Page	Part No.	Page	Part No.	Page	Part No.	Page
G10096	P116	G10103	P86	G10108	P14	G10111	P52
G10100	P98	G10103	P88	G10108	P22	G10111	P59
G10101	P3	G10104	P3	G10108	P42	G10111	P94
G10101	P10	G10104	P3	G10108	P42	G10111	P98
G10101	P11	G10104	P11	G10108	P42	G10111	P98
G10101	P26	G10104	P42	G10108	P46	G10111	P98
G10101	P42	G10104	P48	G10108	P48	G10111	P100
G10101	P46	G10104	P48	G10108	P48	G10111	P101
G10101	P73	G10104	P50	G10108	P48	G10111	P104
G10101	P88	G10104	P50	G10108	P48	G10111	P108
G10101	P90	G10104	P52	G10108	P54	G10112	P40
G10101	P91	G10104	P58	G10108	P97	G10112	P48
G10101	P94	G10104	P98	G10108	P98	G10128	P58
G10101	P98	G10104	P100	G10108	P100	G10128	P58
G10101	P118	G10104	P100	G10108	P100	G10128	P59
G10101	P118	G10104	P101	G10108	P104	G10130	P55
G10101	P126	G10104	P106	G10108	P122	G10130	P56
G10101	P130	G10104	P110	G10108	P126	G10130	P118
G10101	P131	G10104	P114	G10109	P6	G10130	P119
G10101	P132	G10104	P116	G10109	P8	G10130	P130
G10101	P133	G10105	P50	G10109	P10	G10130	P131
G10102	P8	G10105	P50	G10109	P30	G10130	P132
G10102	P8	G10105	P97	G10109	P34	G10130	P133
G10102	P34	G10105	P114	G10109	P36	G10131	P55
G10102	P34	G10105	P116	G10109	P38	G10131	P56
G10102	P40	G10106	P8	G10109	P40	G10131	P131
G10102	P47	G10106	P8	G10109	P62	G10131	P132
G10102	P58	G10106	P32	G10109	P64	G10131	P133
G10102	P58	G10106	P58	G10109	P94	G10133	P10
G10102	P58	G10106	P110	G10109	P104	G10133	P34
G10102	P58	G10106	P110	G10110	P26	G10133	P36
G10102	P59	G10106	P110	G10110	P66	G10133	P38
G10102	P59	G10106	P110	G10110	P84	G10133	P40
G10102	P62	G10106	P110	G10110	P84	G10133	P62
G10102	P64	G10106	P118	G10111	P10	G10133	P64
G10102	P66	G10106	P130	G10111	P28	G10133	P94
G10102	P66	G10107	P8	G10111	P28	G10133	P104
G10102	P84	G10107	P10	G10111	P30	G10133	P110
G10102	P84	G10107	P28	G10111	P30	G10144	P131
G10102	P94	G10107	P40	G10111	P30	G10144	P131
G10102	P96	G10107	P40	G10111	P30	G10144	P132
G10102	P100	G10107	P40	G10111	P32	G10144	P132
G10102	P106	G10107	P40	G10111	P32	G10144	P133
G10102	P106	G10107	P47	G10111	P32	G10144	P133
G10102	P108	G10107	P54	G10111	P32	G10152	P8
G10102	P110	G10107	P54	G10111	P34	G10157	P47
G10102	P114	G10107	P94	G10111	P34	G10159	P50
G10102	P116	G10107	P101	G10111	P40	G10159	P52
G10102	P118	G10107	P104	G10111	P46	G10168	P66
G10102	P130	G10108	P2	G10111	P46	G10168	P66
G10103	P26	G10108	P2	G10111	P48	G10169	P47
G10103	P54	G10108	P2	G10111	P50	G10171	P8

Part No.	Page	Part No.	Page	Part No.	Page	Part No.	Page
G10171	P110	G10228	P106	G10230	P116	G10306	P54
G10171	P110	G10228	P108	G10231	P50	G10306	P100
G10177	P58	G10228	P110	G10231	P50	G10306	P104
G10177	P110	G10228	P114	G10231	P52	G10306	P126
G10187	P62	G10228	P116	G10231	P114	G10307	P42
G10201	P2	G10228	P118	G10231	P116	G10308	P10
G10201	P22	G10228	P130	G10232	P8	G10309	P14
G10201	P42	G10229	P3	G10232	P8	G10310	P26
G10201	P110	G10229	P11	G10232	P58	G10312	P2
G10201	P110	G10229	P22	G10232	P94	G10312	P22
G10204	P4	G10229	P26	G10232	P100	G10315	P8
G10204	P6	G10229	P38	G10232	P110	G10315	P10
G10204	P94	G10229	P38	G10232	P110	G10315	P26
G10204	P105	G10229	P46	G10232	P110	G10318	P32
G10207	P2	G10229	P46	G10232	P110	G10322	P98
G10213	P36	G10229	P54	G10232	P110	G10323	P18
G10213	P40	G10229	P59	G10232	P118	G10325	P4
G10215	P78	G10229	P59	G10232	P130	G10325	P22
G10215	P80	G10229	P88	G10233	P54	G10325	P46
G10215	P82	G10229	P90	G10233	P55	G10326	P2
G10216	P6	G10229	P91	G10233	P55	G10328	P4
G10216	P42	G10229	P94	G10233	P56	G10338	P6
G10217	P101	G10229	P98	G10233	P56	G10338	P14
G10220	P97	G10229	P98	G10233	P58	G10348	P34
G10227	P26	G10229	P108	G10233	P105	G10348	P47
G10227	P54	G10229	P118	G10233	P108	G10370	P54
G10227	P59	G10229	P118	G10233	P112	G10371	P34
G10227	P86	G10229	P118	G10233	P118	G10400	P40
G10227	P88	G10229	P126	G10233	P130	G10401	P18
G10227	P118	G10229	P130	G10235	P54	G10408	P108
G10227	P130	G10229	P130	G10237	P98	G10409	P108
G10228	P6	G10230	P3	G10243	P91	G10409	P118
G10228	P34	G10230	P3	G10278	P114	G10419	P108
G10228	P34	G10230	P10	G10284	P42	G10427	P4
G10228	P47	G10230	P11	G10292	P119	G10427	P8
G10228	P58	G10230	P42	G10303	P8	G10428	P46
G10228	P58	G10230	P48	G10303	P30	G10430	P56
G10228	P58	G10230	P48	G10303	P53	G10438	P2
G10228	P58	G10230	P50	G10303	P54	G10438	P96
G10228	P59	G10230	P50	G10303	P58	G10445	P108
G10228	P59	G10230	P52	G10303	P110	G10450	P101
G10228	P62	G10230	P58	G10303	P110	G10451	P42
G10228	P64	G10230	P62	G10303	P118	G10451	P46
G10228	P66	G10230	P96	G10303	P130	G10451	P94
G10228	P66	G10230	P98	G10303	P131	G10451	P110
G10228	P66	G10230	P98	G10303	P132	G10452	P26
G10228	P84	G10230	P100	G10303	P133	G10453	P56
G10228	P84	G10230	P100	G10304	P2	G10455	P58
G10228	P94	G10230	P101	G10305	P27	G10455	P108
G10228	P96	G10230	P106	G10305	P27	G10455	P129
G10228	P96	G10230	P110	G10305	P94	G10456	P96
G10228	P106	G10230	P114	G10306	P26	G10459	P98

Part No.	Page	Part No.	Page	Part No.	Page	Part No.	Page
G10460	P46	G10567	P14	G10620	P54	G10669	P2
G10460	P50	G10567	P22	G10620	P96	G10670	P22
G10460	P52	G10567	P23	G10620	P105	G10670	P62
G10460	P55	G10570	P23	G10621	P14	G10670	P110
G10460	P56	G10572	P32	G10621	P18	G10670	P118
G10460	P59	G10574	P28	G10621	P18	G10672	P110
G10460	P62	G10574	P28	G10621	P22	G10672	P114
G10460	P64	G10574	P34	G10621	P27	G10672	P116
G10460	P64	G10574	P40	G10621	P53	G10674	P114
G10460	P64	G10574	P46	G10621	P143	G10674	P116
G10460	P64	G10581	P46	G10622	P4	G10674	P116
G10460	P64	G10581	P50	G10622	P4	G10676	P110
G10460	P64	G10585	P30	G10622	P27	G10681	P94
G10460	P108	G10585	P32	G10622	P27	G10681	P118
G10460	P110	G10585	P108	G10622	P54	G10681	P131
G10460	P119	G10587	P110	G10626	P114	G10681	P132
G10460	P130	G10588	P110	G10626	P116	G10681	P133
G10463	P8	G10592	P98	G10626	P116	G10686	P91
G10463	P42	G10594	P98	G10629	P114	G10688	P122
G10470	P18	G10597	P30	G10629	P116	G10690	P18
G10478	P118	G10597	P32	G10629	P119	G10693	P122
G10485	P116	G10599	P10	G10633	P114	G10693	P126
G10496	P59	G10599	P11	G10633	P116	G10718	P42
G10496	P119	G10599	P42	G10634	P20	G10718	P131
G10496	P130	G10599	P98	G10636	P50	G10718	P132
G10499	P94	G10602	P14	G10636	P52	G10718	P133
G10500	P18	G10602	P18	G10640	P6	G10722	P66
G10501	P34	G10602	P20	G10640	P46	G10725	P66
G10501	P54	G10602	P22	G10640	P50	G10730	P40
G10503	P30	G10602	P23	G10640	P58	G10732	P3
G10503	P32	G10602	P54	G10640	P62	G10732	P42
G10503	P36	G10602	P55	G10640	P62	G10751	P14
G10503	P38	G10602	P56	G10640	P64	G10751	P42
G10503	P40	G10602	P59	G10640	P64	G10751	P42
G10503	P94	G10602	P108	G10640	P96	G10752	P14
G10503	P104	G10602	P119	G10640	P98	G10757	P26
G10504	P94	G10602	P130	G10640	P100	G10758	P26
G10507	P98	G10603	P18	G10640	P104	G10758	P91
G10523	P26	G10603	P20	G10640	P108	G10765	P36
G10526	P96	G10603	P104	G10640	P110	G10765	P38
G10527	P59	G10604	P18	G10640	P118	G10765	P40
G10529	P27	G10610	P50	G10640	P131	G10801	P8
G10531	P20	G10610	P96	G10640	P132	G10821	P58
G10536	P30	G10615	P119	G10640	P133	G10821	P108
G10536	P32	G10619	P114	G10641	P64	G10821	P129
G10542	P94	G10619	P116	G10641	P97	G10830	P104
G10544	P66	G10620	P2	G10641	P118	G10844	P66
G10546	P14	G10620	P6	G10643	P40	G10860	P53
G10546	P23	G10620	P6	G10645	P46	G10860	P59
G10551	P2	G10620	P14	G10647	P48	G10862	P98
G10560	P96	G10620	P22	G10655	P110	G10864	P26
G10561	P110	G10620	P53	G10660	P23	G10870	P53

Part No.	Page	Part No.	Page	Part No.	Page	Part No.	Page
G10870	P59	G11091	P116	G11387	P94	G11396	P64
G10871	P100	G11091	P116	G11387	P98	G11400	P52
G10874	P54	G11091	P143	G11387	P98	G11418	P66
G10879	P64	G11098	P36	G11387	P100	G11419	P10
G10890	P54	G11100	P59	G11387	P104	G11436	P94
G10895	P48	G11100	P118	G11387	P108	G11436	P98
G10901	P116	G11100	P130	G11387	P118	G11436	P100
G10903	P48	G11151	P20	G11387	P118	G11453	P59
G10908	P104	G11166	P143	G11387	P126	G11453	P118
G10912	P4	G11182	P114	G11387	P130	G11514	P3
G10912	P42	G11209	P26	G11387	P130	G11514	P14
G10917	P114	G11228	P38	G11389	P30	G11514	P14
G10923	P55	G11236	P38	G11389	P30	G11514	P42
G10923	P56	G11237	P119	G11389	P30	G11514	P42
G10923	P118	G11288	P91	G11389	P32	G11514	P42
G10923	P119	G11314	P52	G11389	P32	G11591	P2
G10923	P130	G11385	P23	G11389	P32	G11592	P2
G10924	P6	G11385	P26	G11389	P36	G11793	P23
G10927	P91	G11385	P54	G11389	P36	GA0167	P66
G10928	P91	G11385	P84	G11389	P38	GA0237	P97
G10931	P91	G11385	P86	G11389	P46	GA0245	P66
G10938	P94	G11385	P88	G11389	P46	GA0257	P66
G10939	P73	G11385	P130	G11389	P47	GA0312	P94
G10940	P6	G11386	P8	G11389	P48	GA0328	P94
G10957	P73	G11386	P30	G11389	P96	GA0378	P56
G10961	P96	G11386	P53	G11389	P98	GA0810	P94
G10961	P105	G11386	P94	G11389	P100	GA0863	P110
G10974	P36	G11386	P100	G11389	P101	GA0864	P110
G10974	P36	G11386	P110	G11389	P108	GA0895	P50
G10974	P38	G11386	P110	G11389	P110	GA0895	P52
G10974	P40	G11386	P110	G11391	P3	GA0898	P110
G10991	P100	G11386	P131	G11391	P10	GA1369	P94
G10991	P126	G11386	P131	G11391	P14	GA1720	P3
G10993	P48	G11386	P132	G11391	P14	GA1720	P42
G10994	P119	G11386	P132	G11391	P32	GA2007	P14
G10995	P119	G11386	P133	G11391	P40	GA2012L	P4
G11009	P18	G11386	P133	G11391	P42	GA2012R	P4
G11009	P20	G11387	P2	G11391	P42	GA2014	P4
G11010	P40	G11387	P8	G11391	P50	GA2014	P8
G11015	P2	G11387	P10	G11391	P52	GA2014	P32
G11034	P104	G11387	P10	G11391	P54	GA2014	P34
G11073	P23	G11387	P11	G11391	P66	GA2014	P36
G11075	P59	G11387	P14	G11391	P96	GA2014	P38
G11075	P119	G11387	P22	G11391	P97	GA2014	P40
G11075	P130	G11387	P26	G11391	P98	GA2014	P94
G11078	P58	G11387	P42	G11391	P101	GA2014	P104
G11078	P119	G11387	P42	G11391	P104	GA2019	P18
G11078	P130	G11387	P46	G11391	P105	GA2020	P18
G11081	P50	G11387	P48	G11392	P38	GA2054	P8
G11081	P52	G11387	P54	G11394	P46	GA2068	P54
G11085	P48	G11387	P59	G11396	P46	GA2075	P26
G11091	P42	G11387	P59	G11396	P50	GA2094	P27

Part No.	Page	Part No.	Page	Part No.	Page	Part No.	Page
GA2147	P50	GA5188	P64	GA6171	P6	GA7434	P52
GA2148	P50	GA5190	P64	GA6171	P8	GA7445	P36
GA2148	P52	GA5194	P118	GA6171	P10	GA7445	P40
GA2558	P50	GA5197	P48	GA6171	P10	GA7445	P104
GA3893	P119	GA5202	P59	GA6171	P96	GA7446	P34
GA4235	P108	GA5202	P129	GA6171	P105	GA7446	P36
GA4265	P48	GA5223	P108	GA6182	P20	GA7446	P40
GA4286	P97	GA5229	P130	GA6184	P20	GA7446	P104
GA4287	P97	GA5230	P106	GA6187	P20	GA7841	P59
GA4376	P52	GA5231	P106	GA6337	P108	GA7850	P86
GA4444	P22	GA5236	P106	GA6434	P10	GA7850	P88
GA4976	P114	GA5237	P106	GA6478	P20	GA7850	P90
GA4976	P116	GA5385	P84	GA6501	P118	GA7853	P86
GA5090	P54	GA5600	P87	GA6513	P129	GA7853	P88
GA5105	P54	GA5600	P90	GA6514	P129	GA7853	P90
GA5105	P58	GA5624	P58	GA6515	P129	GA7854	P86
GA5105	P108	GA5624	P108	GA6597	P10	GA7854	P88
GA5105	P129	GA5625	P28	GA6618	P8	GA7854	P90
GA5106	P58	GA5629	P58	GA6619	P8	GA7855	P86
GA5106	P59	GA5651	P3	GA6620	P8	GA7855	P88
GA5107	P58	GA5652	P110	GA6633	P20	GA7855	P90
GA5107	P108	GA5654	P32	GA6699	P84	GA7856	P86
GA5107	P129	GA5654	P34	GA6700	P84	GA7856	P88
GA5108	P58	GA5654	P36	GA6701	P84	GA7856	P90
GA5109	P58	GA5654	P38	GA6733	P8	GA7857	P86
GA5110	P58	GA5654	P40	GA6741	P26	GA7857	P88
GA5111	P58	GA5654	P104	GA6761	P46	GA7857	P90
GA5112	P58	GA5666	P110	GA6801	P8	GA7858	P87
GA5113	P58	GA5667	P110	GA6823	P84	GA7858	P90
GA5114	P55	GA5698	P20	GA6824	P84	GA7859	P88
GA5114	P108	GA5699	P20	GA6832	P34	GA7859	P90
GA5115	P108	GA5715	P30	GA6833	P34	GA7909	P48
GA5116	P58	GA5715	P32	GA6834	P34	GA7949	P6
GA5116	P108	GA5718	P32	GA6838	P34	GA7975	P6
GA5116	P108	GA5719	P30	GA6907	P26	GA7976	P6
GA5118	P54	GA5719	P32	GA6966	P100	GA7998	P104
GA5121	P50	GA5786	P42	GA7154	P58	GA7999	P104
GA5121	P52	GA5787	P42	GA7235	P53	GA8021	P86
GA5122	P50	GA5791	P53	GA7239	P98	GA8021	P88
GA5122	P52	GA5794	P20	GA7240	P98	GA8021	P90
GA5130	P64	GA5795	P20	GA7255	P20	GA8022	P86
GA5146	P59	GA5796	P20	GA7271	P36	GA8022	P88
GA5157	P54	GA5834	P20	GA7313	P108	GA8022	P90
GA5158	P54	GA5887	P97	GA7336	P59	GA8026	P87
GA5164	P56	GA5892	P30	GA7336	P108	GA8026	P90
GA5165	P56	GA5917	P114	GA7336	P118	GA8046	P86
GA5173	P64	GA5917	P116	GA7336	P130	GA8046	P88
GA5175	P62	GA5982	P20	GA7375	P114	GA8046	P90
GA5177	P62	GA6038	P20	GA7375	P116	GA8047	P84
GA5178	P62	GA6147	P88	GA7376	P50	GA8047	P86
GA5183	P62	GA6147	P91	GA7409	P50	GA8047	P88
GA5184	P62	GA6168	P20	GA7434	P50	GA8047	P90

Part No.	Page	Part No.	Page	Part No.	Page	Part No.	Page
GA8069	P122	GA9437	P100	GA12235	P40	GA21185	P70
GA8130	P73	GA9438	P48	GA12236	P34	GA21515	P86
GA8305	P96	GA9439	P48	GA12236	P38	GA21515	P88
GA8306	P96	GA9472	P105	GA12236	P40	GA21515	P90
GA8324	P4	GA9564	P100	GA12330	P126	GA21798	P108
GA8326	P23	GA9565	P100	GA12403	P90	GA22165	P10
GA8343	P18	GA9714	P15	GA13521	P91	GB0110	P18
GA8364	P23	GA9819	P100	GA13522	P91	GB0115	P23
GA8366	P23	GA9820	P101	GA13719	P66	GB0116	P23
GA8371	P22	GA9821	P100	GA13790	P53	GB0120	P18
GA8483	P94	GA9822	P101	GA14049	P114	GB0134	P94
GA8487	P46	GA9844	P40	GA14049	P116	GB0156	P47
GA8488	P46	GA9845	P40	GA14112	P116	GB0160	P52
GA8603	P28	GA9846	P54	GA14250	P38	GB0186	P3
GA8603	P40	GA9857	P88	GA14251	P36	GB0198	P110
GA8603	P100	GA9861	P40	GA14251	P38	GB0199	P110
GA8641	P28	GA9862	P40	GA14348	P52	GB0200	P110
GA8641	P40	GA9865	P40	GA14349	P52	GB0205	P97
GA8656	P46	GA9870	P54	GA14412	P50	GB0206	P98
GA8670	P48	GA9872	P46	GA14412	P52	GB0209	P98
GA8676	P46	GA9877	P50	GA14413	P50	GB0210	P98
GA8685	P94	GA9978	P86	GA14413	P52	GB0212	P96
GA8688	P98	GA9978	P88	GA15151	P66	GB0213	P40
GA8689	P98	GA9978	P90	GA15197	P10	GB0213	P97
GA8690	P131	GA9979	P86	GA15197	P11	GB0218	P3
GA8691	P132	GA9979	P88	GA15312	P40	GB0218	P14
GA8692	P133	GA9979	P90	GA15415	P94	GB0218	P40
GA8760	P36	GA10036	P105	GA15415	P98	GB0218	P42
GA8760	P38	GA10037	P105	GA15415	P100	GB0218	P54
GA8839	P50	GA10047	P100	GA15416	P94	GB0218	P97
GA8845	P94	GA10048	P100	GA15416	P98	GB0239	P8
GA8877	P96	GA10137	P14	GA15416	P100	GB0239	P10
GA8877	P105	GA10151	P14	GA15422	P143	GB0254	P10
GA8897	P73	GA10155	P14	GA16082	P90	GB0259	P59
GA8924	P73	GA10157	P2	GA16428	P114	GB0265	P2
GA8930	P42	GA10157	P6	GA16428	P116	GB0266	P2
GA8931	P128	GA10161	P42	GA18201	P18	GB0267	P2
GA9007	P48	GA10570	P86	GA18208	P20	GB0268	P8
GA9131	P40	GA10575	P88	GA20902	P86	GB0268	P10
GA9144	P88	GA10601	P86	GA20902	P88	GB0274	P2
GA9144	P90	GA10601	P88	GA20902	P90	GB0276	P6
GA9195	P94	GA11397	P100	GA21104	P69	GB0278	P14
GA9206	P84	GA11398	P100	GA21105	P69	GB0278	P23
GA9207	P84	GA11520	P28	GA21106	P68	GB0282	P10
GA9426	P48	GA11591	P64	GA21106	P69	GB0285	P2
GA9427	P48	GA11766	P64	GA21111	P68	GB0287	P55
GA9428	P47	GA11767	P64	GA21112	P68	GB0287	P56
GA9429	P47	GA11969	P42	GA21158	P72	GB0296	P100
GA9430	P106	GA11971	P42	GA21159	P72	GB0301	P4
GA9431	P106	GA12108	P101	GA21167	P71	GB0301	P42
GA9433	P100	GA12109	P101	GA21168	P71	GB0314	P14
GA9434	P100	GA12235	P38	GA21184	P70	GB0314	P42

Part No.	Page	Part No.	Page	Part No.	Page	Part No.	Page
GB0322	P100	GD1086	P6	GD1520	P114	GD5827	P58
GB0323	P100	GD1104	P98	GD1657	P94	GD5830	P59
GB0331	P14	GD1109	P8	GD1673	P94	GD5835	P59
GB0366	P3	GD1109	P10	GD1685-12	P106	GD5841	P50
GB0383	P38	GD1113	P42	GD1685-13	P106	GD5841	P52
GB0387	P34	GD1113	P48	GD1685-14	P106	GD5857	P34
GB0387	P38	GD1113	P100	GD1685-15	P106	GD5857	P53
GB0387	P40	GD1113	P100	GD1685-16	P106	GD5857	P58
GB0400	P101	GD1113	P101	GD1748	P114	GD5857	P108
GB0405	P101	GD1114	P3	GD1748	P116	GD5857	P118
GB0410	P18	GD1114	P42	GD1755	P20	GD5857	P130
GB0410	P18	GD1114	P48	GD1862	P114	GD5860	P54
GB0464	P38	GD1114	P98	GD1862	P116	GD5875	P48
GB0464	P38	GD1114	P106	GD2117	P140	GD5875	P64
GB0554	P66	GD1114	P110	GD2161	P64	GD5884-01	P56
GB0968	P42	GD1115L	P26	GD2199	P84	GD5885-01	P56
GD0438	P62	GD1115R	P26	GD2199	P135	GD5885-02	P55
GD0453-02	P62	GD1116	P26	GD2412	P110	GD5885-03	P55
GD0453-03	P64	GD1118	P26	GD2423	P26	GD5886	P108
GD0453-06	P62	GD1132	P32	GD2460	P27	GD5886	P112
GD0453-07	P62	GD1132	P34	GD2548-15.5	P112	GD5888	P48
GD0462	P62	GD1132	P36	GD2548-25.5	P112	GD5892	P62
GD0487	P94	GD1132	P38	GD2548-27.5	P112	GD5958	P55
GD0652	P64	GD1132	P40	GD2558	P54	GD5960	P56
GD0746	P66	GD1132	P94	GD2558	P59	GD5961	P55
GD0752-41	P64	GD1132	P104	GD2558	P108	GD5961	P56
GD0840	P66	GD1138	P94	GD2558	P129	GD5988	P130
GD0914-109	P55	GD1138	P106	GD2589	P94	GD5990	P119
GD0914-134	P55	GD1143	P27	GD2597	P66	GD5990	P130
GD0914-170	P56	GD1144	P27	GD2721	P62	GD6027	P46
GD0914-210	P56	GD1145	P27	GD2721	P64	GD6027	P48
GD0914-230	P56	GD1162	P140	GD2734-08	P118	GD6027	P48
GD0962	P94	GD1200	P110	GD2734-08	P130	GD6165	P130
GD1026	P2	GD1207	P110	GD2947	P26	GD6291	P87
GD1026	P22	GD1209	P110	GD2971-10	P22	GD6551	P58
GD1026	P42	GD1210	P110	GD2971-26	P4	GD6553	P97
GD1026	P54	GD1213	P110	GD2984	P140	GD6825-10.375	P54
GD1026	P59	GD1213	P110	GD3180-12	P8	GD7127	P58
GD1026	P100	GD1255	P56	GD3180-17	P108	GD7127	P108
GD1026	P108	GD1256	P56	GD3214	P64	GD7127	P129
GD1026	P118	GD1337	P114	GD3612	P2	GD7140	P47
GD1026	P130	GD1379	P110	GD3839	P119	GD7145	P84
GD1041	P18	GD1380	P110	GD3839	P130	GD7145	P114
GD1042	P18	GD1512	P140	GD4887-01	P58	GD7145	P116
GD1059L	P22	GD1514	P114	GD5752	P54	GD7148	P23
GD1059R	P22	GD1514	P116	GD5753	P54	GD7152	P84
GD1060	P22	GD1515	P114	GD5756	P54	GD7258	P23
GD1061	P23	GD1515	P116	GD5756	P59	GD7318	P2
GD1063	P23	GD1516	P114	GD5789	P53	GD7426	P54
GD1065	P2	GD1516	P116	GD5790	P53	GD7426	P59
GD1083	P18	GD1517	P114	GD5824	P59	GD7426	P108
GD1085	P10	GD1517	P116	GD5827	P53	GD7426	P118

Part No.	Page	Part No.	Page	Part No.	Page	Part No.	Page
GD7426	P130	GD8771	P90	GD11017	P4	GD11652	P28
GD7639	P86	GD8778	P20	GD11045	P55	GD11652	P40
GD7639	P88	GD8893-01	P42	GD11045	P56	GD11657	P46
GD7803	P28	GD9107	P131	GD11045	P118	GD11662	P46
GD7803	P40	GD9107	P132	GD11045	P130	GD11677	P28
GD7804	P28	GD9108	P133	GD11089	P84	GD11695	P50
GD7804	P40	GD9109	P131	GD11089	P86	GD11700	P118
GD7817-01	P32	GD9109	P132	GD11089	P88	GD11705	P94
GD7817-04	P32	GD9109	P133	GD11089	P91	GD11721	P114
GD7817-04	P104	GD9120	P10	GD11122	P20	GD11721	P116
GD7819	P55	GD9254	P28	GD11123	P116	GD11747	P15
GD7822	P58	GD9254	P40	GD11124	P116	GD11787	P18
GD7823	P32	GD9290	P8	GD11178	P104	GD11836	P104
GD7848	P110	GD9305	P8	GD11180	P118	GD11845	P2
GD7867	P108	GD9562	P8	GD11188	P104	GD11845	P4
GD7867	P112	GD9695	P42	GD11218	P42	GD11845	P8
GD7868	P112	GD9705	P96	GD11219	P22	GD11953	P96
GD7870	P108	GD9706	P96	GD11239	P14	GD11953	P105
GD7871	P108	GD9709	P96	GD11239	P22	GD11954	P96
GD7878	P20	GD9715	P34	GD11239	P23	GD11954	P105
GD7889	P30	GD9720	P34	GD11240	P23	GD11962	P2
GD7889	P32	GD9724	P34	GD11259	P2	GD11962	P22
GD7890	P30	GD9724	P36	GD11264	P42	GD11985	P70
GD7890	P32	GD9724	P38	GD11265	P104	GD11993	P86
GD7900	P97	GD9724	P40	GD11266	P104	GD11993	P86
GD7904-02	P98	GD9724	P104	GD11279	P15	GD11993	P86
GD7907	P98	GD10036	P3	GD11286	P18	GD11993	P88
GD7908	P97	GD10110	P114	GD11297	P23	GD11993	P88
GD7911	P96	GD10110	P116	GD11305	P22	GD11993	P88
GD7912	P98	GD10161	P108	GD11306	P4	GD11993	P90
GD7944	P46	GD10242	P98	GD11306	P94	GD11993	P90
GD7944	P54	GD10273	P98	GD11311	P18	GD11993	P90
GD7962	P97	GD10283	P66	GD11313	P11	GD11995	P73
GD7962	P104	GD10303	P98	GD11413	P14	GD12101	P71
GD8218	P96	GD10304	P98	GD11413	P23	GD12101	P72
GD8224	P98	GD10473	P4	GD11422	P3	GD12102	P68
GD8237	P20	GD10473	P8	GD11423	P6	GD12102	P69
GD8238	P97	GD10487	P98	GD11423	P96	GD12102	P70
GD8239	P98	GD10519	P36	GD11423	P105	GD12505	P69
GD8247	P97	GD10519	P38	GD11424	P22	GD12507	P68
GD8249	P3	GD10519	P40	GD11453	P6	GD12510	P71
GD8266	P30	GD10526	P36	GD11458	P52	GD12510	P72
GD8276	P98	GD10552	P34	GD11474	P91	GD12513	P73
GD8304	P84	GD10552	P36	GD11490	P50	GD12534	P34
GD8307	P32	GD10552	P40	GD11490	P52	GD12543	P50
GD8308	P96	GD10552	P104	GD11508	P11	GD12561	P15
GD8460	P10	GD10867	P42	GD11509	P11	GD12571	P58
GD8751	P87	GD10963	P26	GD11528	P18	GD12676	P100
GD8751	P90	GD10984	P26	GD11535	P46	GD12677	P100
GD8770	P88	GD10991	P6	GD11557	P100	GD12679	P100
GD8770	P90	GD10993	P2	GD11558	P100	GD12684	P104
GD8771	P88	GD11001	P2	GD11559	P46	GD12685	P100

Part No.	Page	Part No.	Page	Part No.	Page	Part No.	Page
GD12817	P40	GD21540	P66	GR0211	P131	GR0513	P114
GD12826	P40	GD22685	P143	GR0211	P132	GR0513	P116
GD12827	P40	GD22692	P143	GR0211	P133	GR0586	P88
GD12829	P40	GD24545	P2	GR0212	P131	GR0586	P90
GD13287	P100	GD25568	P42	GR0212	P132	GR0594	P86
GD13309	P105	GD25569	P42	GR0212	P133	GR0594	P88
GD13348	P90	GD26419	P18	GR0213	P131	GR0594	P90
GD13361	P2	GD26594	P18	GR0213	P132	GR0664	P18
GD13401	P50	GD26973	P38	GR0214	P131	GR0880	P119
GD13401	P52	GD27233	P71	GR0214	P132	GR0881	P119
GD14065	P10	GD27233	P72	GR0214	P133	GR0882	P119
GD14170	P40	GD27234	P70	GR0215	P131	GR0883	P119
GD14217	P3	GD27235	P68	GR0215	P132	GR0912	P54
GD14398	P28	GD27235	P69	GR0215	P133	GR0912	P58
GD14413	P59	GD27235	P73	GR0216	P131	GR0912	P59
GD14413	P119	GD28390	P2	GR0216	P132	GR0912	P108
GD14413	P130	GD29221	P48	GR0217	P131	GR0912	P118
GD14427	P59	GD29459	P42	GR0217	P132	GR0912	P130
GD14427	P119	GD29689	P71	GR0217	P133	GR0962	P62
GD14427	P130	GD29689	P72	GR0221	P133	GR1015	P114
GD14431	P58	GD29806	P2	GR0222	P133	GR1015	P116
GD14431	P119	GD30401	P70	GR0223	P131	GR1016	P114
GD14431	P130	GD30622	P57	GR0225	P131	GR1016	P116
GD14432	P59	GD30622	P57	GR0225	P132	GR1017	P114
GD14432	P119	GD30622	P59	GR0225	P133	GR1017	P116
GD14432	P130	GD30624	P57	GR0226	P131	GR1018	P114
GD14559	P98	GD30624	P57	GR0226	P132	GR1018	P116
GD15386	P64	GD30624	P59	GR0226	P133	GR1019	P114
GD15538	P59	GD30725	P4	GR0227	P131	GR1019	P116
GD15685	P118	GD30725	P38	GR0228	P131	GR1037	P78
GD15685	P130	GD30725	P94	GR0228	P132	GR1037	P78
GD15698	P18	GD31353	P10	GR0229	P132	GR1037	P78
GD15699	P20	GD31450	P58	GR0229	P133	GR1037	P80
GD15747	P14	GM0188-01	P143	GR0231	P132	GR1037	P80
GD15970	P2	GM0188-02	P143	GR0231	P133	GR1037	P80
GD16245	P2	GR0146	P142	GR0232	P131	GR1037	P82
GD16302	P59	GR0146MPP	P142	GR0232	P132	GR1037	P82
GD18073	P42	GR0150	P66	GR0232	P133	GR1037	P82
GD18074	P42	GR0151	P66	GR0233	P132	GR1045	P82
GD18118	P91	GR0155	P142	GR0255	P47	GR1104	P126
GD18168	P91	GR0155MPP	P142	GR0270	P50	GR1112	P126
GD18704	P18	GR0188	P97	GR0270	P52	GR1114	P122
GD19333	P18	GR0193	P62	GR0279	P133	GR1116	P122
GD19343	P59	GR0196	P2	GR0280	P133	GR1116	P126
GD19343	P119	GR0196	P23	GR0281	P133	GR1118	P122
GD19343	P130	GR0196	P42	GR0282	P133	GR1118	P126
GD19790	P18	GR0207	P131	GR0283	P133	GR1120	P126
GD20060	P116	GR0207	P132	GR0284	P133	GR1122	P118
GD20456	P52	GR0207	P133	GR0434	P50	GR1123	P126
GD20458	P52	GR0208	P131	GR0434	P52	GR1124	P126
GD20461	P52	GR0208	P132	GR0508	P114	GR1129	P124
GD21398	P110	GR0209	P131	GR0508	P116	GR1130	P124

Part No.	Page	Part No.	Page	Part No.	Page	Part No.	Page
GR1133	P124	GR1631	P88				
GR1134	P124	GR1632	P88				
GR1134	P126	GR1762	P90				
GR1142	P124	GR1763	P91				
GR1144	P124	GR1795	P126				
GR1165	P122	GR1797	P126				
GR1167	P122	GR1799	P126				
GR1168	P122	GR1801	P126				
GR1169	P73	GR1802	P126				
GR1208	P84	GR1804	P126				
GR1208	P84	GR1805	P126				
GR1389	P122	GR1806	P126				
GR1389	P126	GR1808	P126				
GR1390	P86	GR1828	P142				
GR1391	P88	GR1842MPP	P142				
GR1392	P86	GR1848	P18				
GR1393	P88	GR1941	P114				
GR1397	P114	GR1941	P116				
GR1401	P73	GR1956	P84				
GR1414	P91	GR1956	P84				
GR1415	P91	GR1957	P84				
GR1420	P122	GR1958	P84				
GR1421	P122	GR2003	P126				
GR1422	P124	GR2154	P18				
GR1423	P124	GR2225	P69				
GR1424	P122	GR2227	P70				
GR1425	P122	GR2228	P68				
GR1425	P124	GR2229	P71				
GR1427	P122	GR2229	P72				
GR1451	P124						
GR1465	P82						
GR1484	P131						
GR1484	P132						
GR1485	P133						
GR1523	P73						
GR1533	P128						
GR1535	P128						
GR1540	P128						
GR1541	P128						
GR1542	P128						
GR1543	P126						
GR1543	P128						
GR1544	P128						
GR1545	P128						
GR1569	P18						
GR1570MPP	P142						
GR1574	P128						
GR1577	P131						
GR1577	P132						
GR1577	P133						
GR1626	P132						
GR1626	P133						