

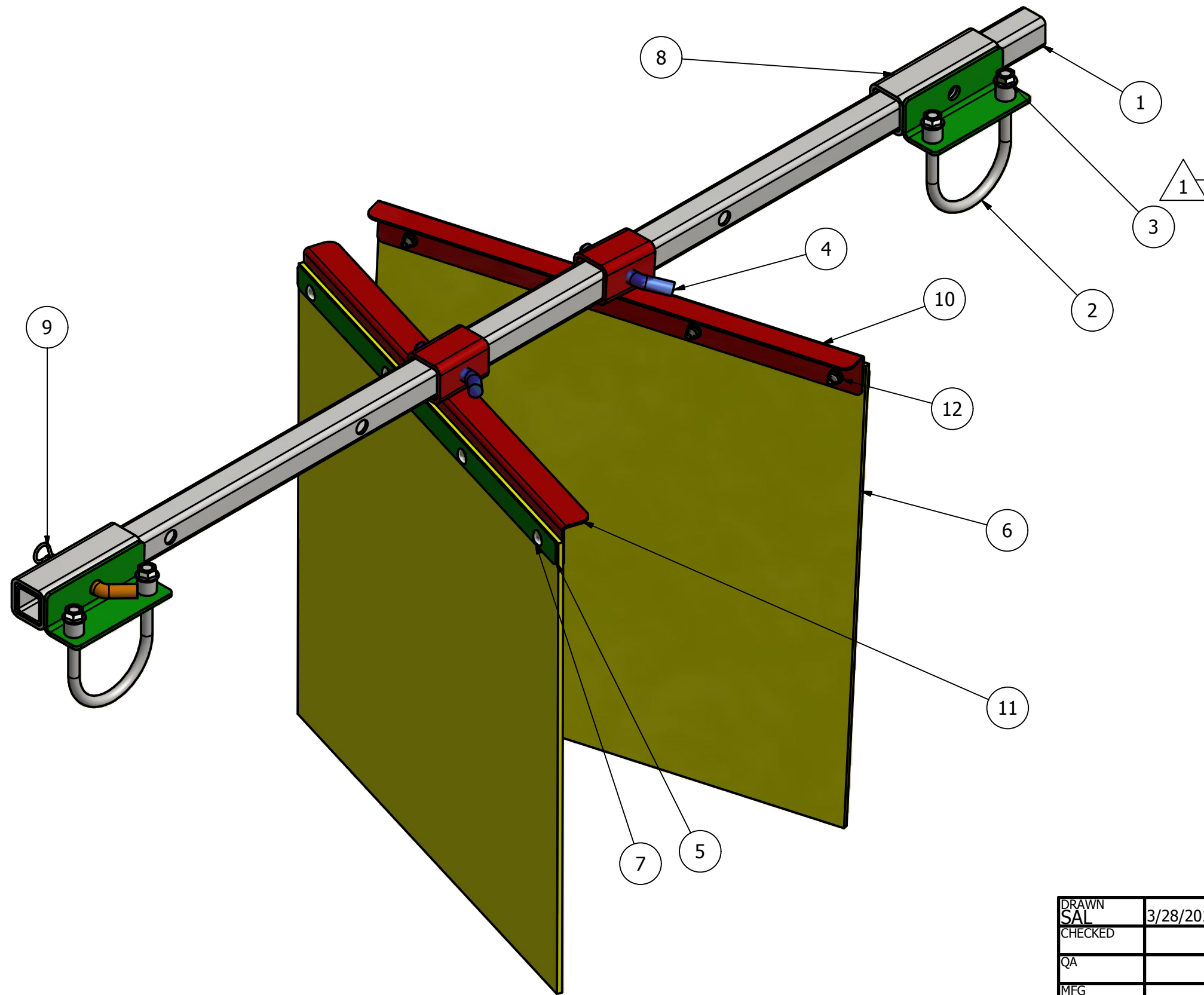


Parts Ordering Guide

Table of Contents

Section	Pages
Windrow Assembly	3
8-row Conveyor	4-13
12-row Conveyor	14-17
Elbows	18
Rotor / Knife	19
Row Unit Housings	20-22
Hydraulics	23-29

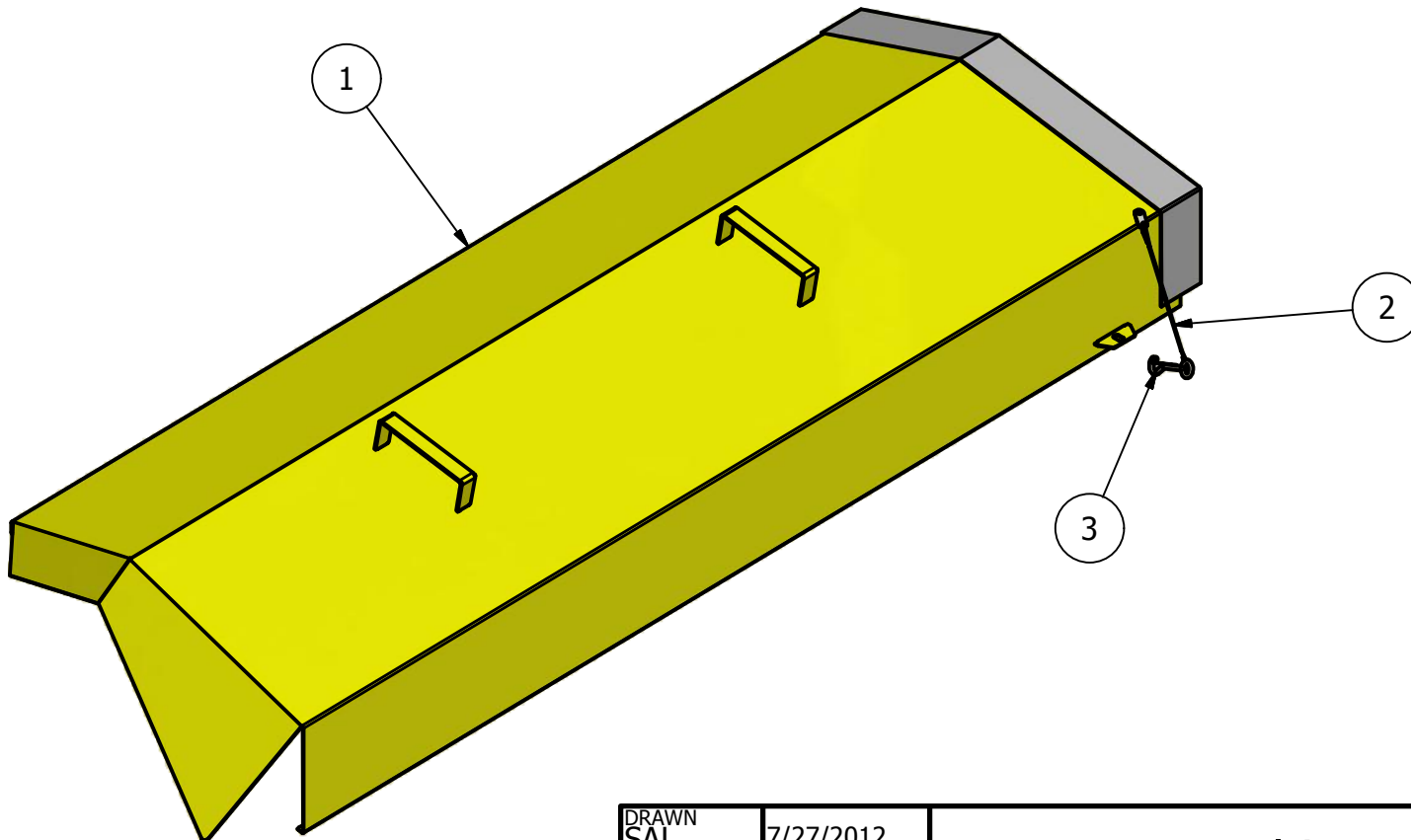
PARTS LIST			
ITEM	QTY	PART NUMBER	DESCRIPTION
1	1	NHCR-071	CYLINDER MOUNT CROSS TUBE
2	2	NHCR-069	4" U BOLT 1/2" DIA.
3	4	NHCR-064	1/2-13 SERRATED FLANGE NUT
4	3	NHCR-109	HITCH PIN
5	2	NHCR-077	FLAP SUPPORT
6	2	NHCR-076	RUBBER DEFLECTOR
7	8	NHCR-325	5/16-18 UNC - 1 Carrage Bolt
8	2	NHCR-219	CYLINDER DEFLECTOR MOUNTING WELDMENT
9	3	NHCR-236	HAIRPIN
10	1	NHCR-241	CYL. MOUNT LEFT DEFLECTOR WELDMENT
11	1	NHCR-242	CYL. MOUNT RIGHT DEFLECTOR WELDMENT
12	8	NHCR-018	5/16-18 SERRATED HEX FLANGE NUT



DRAWN	3/28/2012	Craig Welding & Mfg., Inc. TITLE CYLINDER MOUNT WINDROWER ASSEMBLY
CHECKED		
QA		
MFG		
APPROVED		
SIZE	MACH. SHOP #	PART NUMBER
B		NHCR-165
MATERIAL		SHEET 3 OF 3

REVISION HISTORY		
REV	DESCRIPTION	DATE
1	NHCR-325 WAS 315	5/1/2013

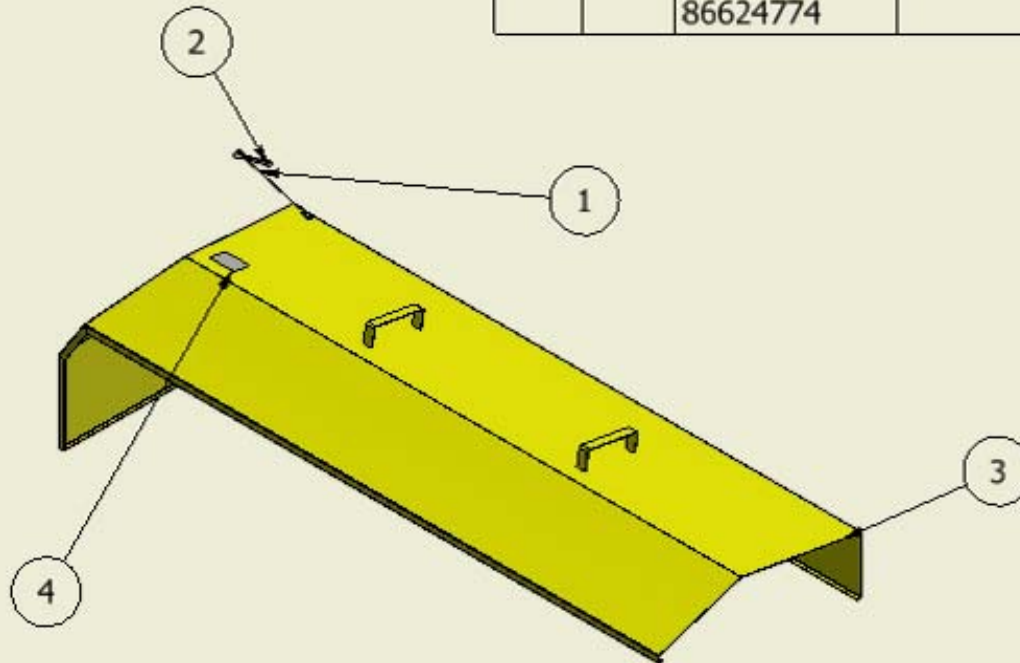
PARTS LIST			
ITEM	QTY	PART NUMBER	DESCRIPTION
1	1	NHCR-314	12 ROW INSIDE COVER RIGHT INNER WELDMENT
2	1	NHCR-362	12" LANDYARD
3	1	NHCR-363	SNAP HOOK



DRAWN	7/27/2012
SAL	
CHECKED	
QA	
MFG	
APPROVED	
TOLERANCE ON FINISHED SURFACES:	
ONE PLACE DECIMAL +/- .1"	
TWO PLACE DECIMAL +/- .01"	
THREE PLACE DECIMAL +/- .005"	
UNLESS OTHERWISE SHOWN	
MATERIAL	

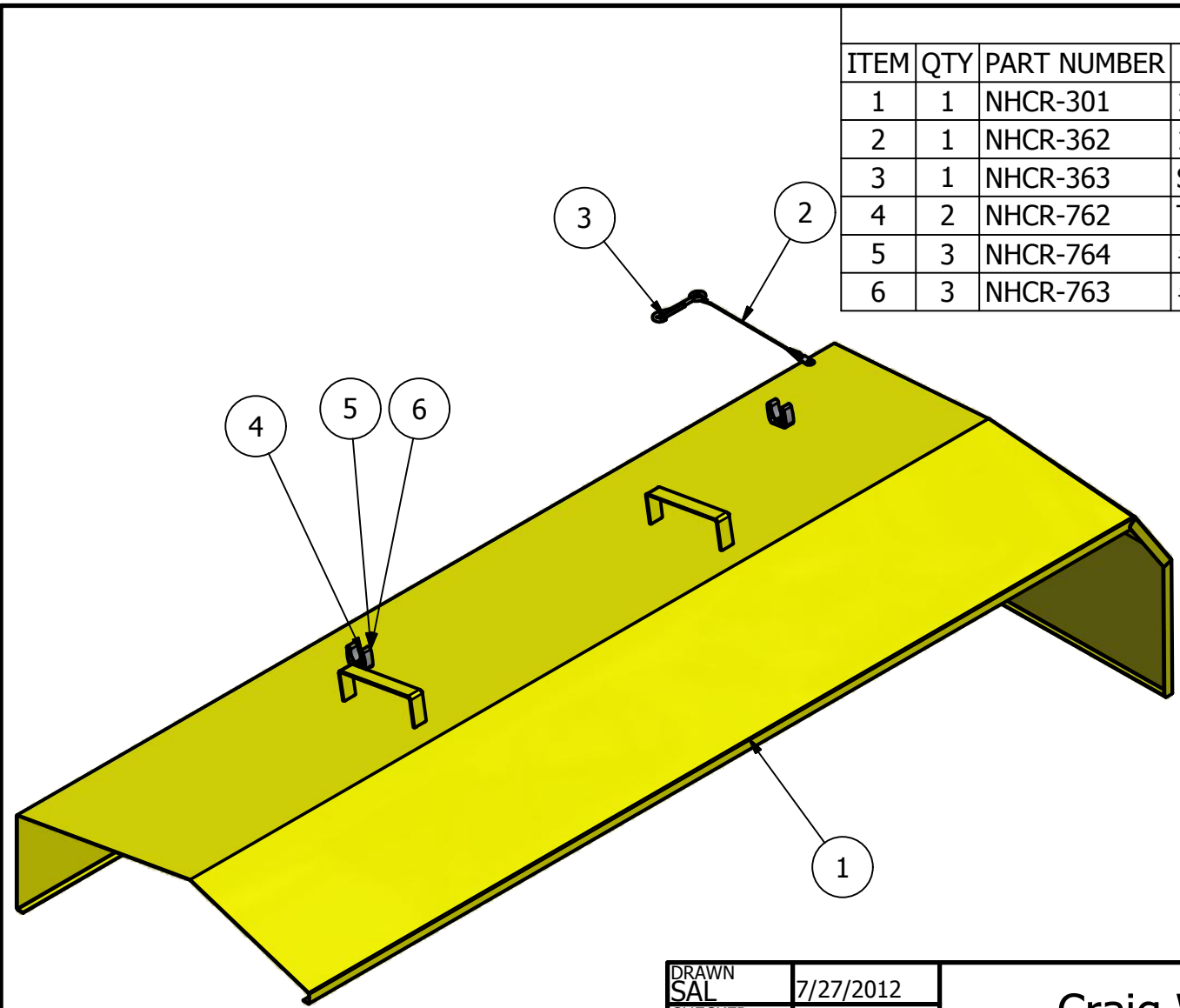
Craig Welding & Mfg., Inc.		
TITLE		
12 ROW RIGHT INNER CONVEYOR COVER		
SIZE	MACH. SHOP #	PART NUMBER
A		NHCR-308
		SHEET 2 OF 2

PARTS LIST			
ITEM	QTY	PART NUMBER	DESCRIPTION
1	1	NHCR-362	12" LANDYARD
2	1	NHCR-363	SNAP HOOK
3	1	NHCR-751	12 ROW RIGHT OUTER CONVEYOR COVER WELDMENT
4	1	DECAL 86624774	NEW HOLLAND DECAL



DRAWN	7/27/2012
SAL	
CHECKED	
QA	
MFG	
APPROVED	
TOLERANCE ON FINISHED SURFACES	
ONE PLACE DECIMAL +/- .1"	
TWO PLACE DECIMAL +/- .01"	
THREE PLACE DECIMAL +/- .005"	
UNLESS OTHERWISE SHOWN	
MATERIAL	

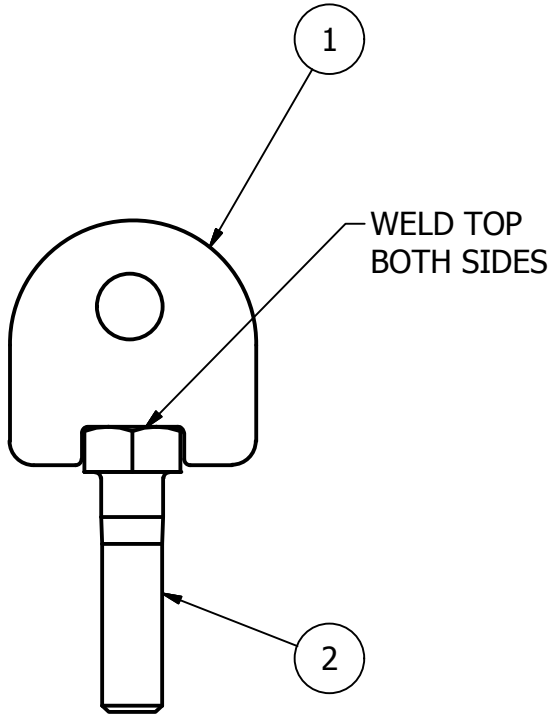
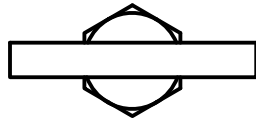
Craig Welding & Mfg., Inc.		
TITLE		
12 ROW RIGHT OUTER CONVEYOR COVER		
SIZE	MACH. SHOP #	PART NUMBER
A		NHCR-310
		SHEET 2 OF 2



PARTS LIST			
ITEM	QTY	PART NUMBER	DESCRIPTION
1	1	NHCR-301	12 ROW CONVEYOR LEFT OUTER COVER
2	1	NHCR-362	12" LANDYARD
3	1	NHCR-363	SNAP HOOK
4	2	NHCR-762	TOOL HOLDER
5	3	NHCR-764	#10-24 STOVER LOCKNUT
6	3	NHCR-763	#10-24 X 1/2 BUTTON HEAD BOLT

DRAWN	SAL	7/27/2012
CHECKED		
QA		
MFG		
APPROVED		
<small>TOLERANCE ON FINISHED SURFACES: ONE PLACE DECIMAL +/- .1" TWO PLACE DECIMAL +/- .01" THREE PLACE DECIMAL +/- .005" UNLESS OTHERWISE SHOWN</small>		
MATERIAL		

<h2>Craig Welding & Mfg., Inc.</h2>		
TITLE		
<h3>12 ROW LEFT OUTER CONVEYOR COVER</h3>		
SIZE	MACH. SHOP #	PART NUMBER
A		NHCR-311
		SHEET 2 OF 2

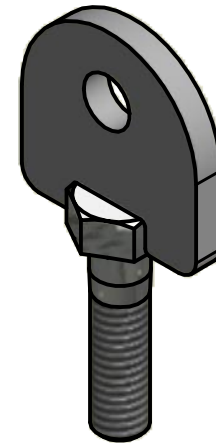
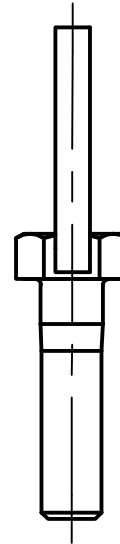


PARTS LIST			
ITEM	QTY	PART NUMBER	DESCRIPTION
1	1	NHCR-328	OUTSIDE HANGER BOLT 8 ROW
2	1	NHCR-330	5/16 - 18 X 1 1/4" HEX BOLT

NOTE:
TAPE OFF THREADS
BEFORE POWDER COAT.

TABLE	
MFG	PC
X	BLACK

TAG FOR POWDER COAT
*NHCR-329

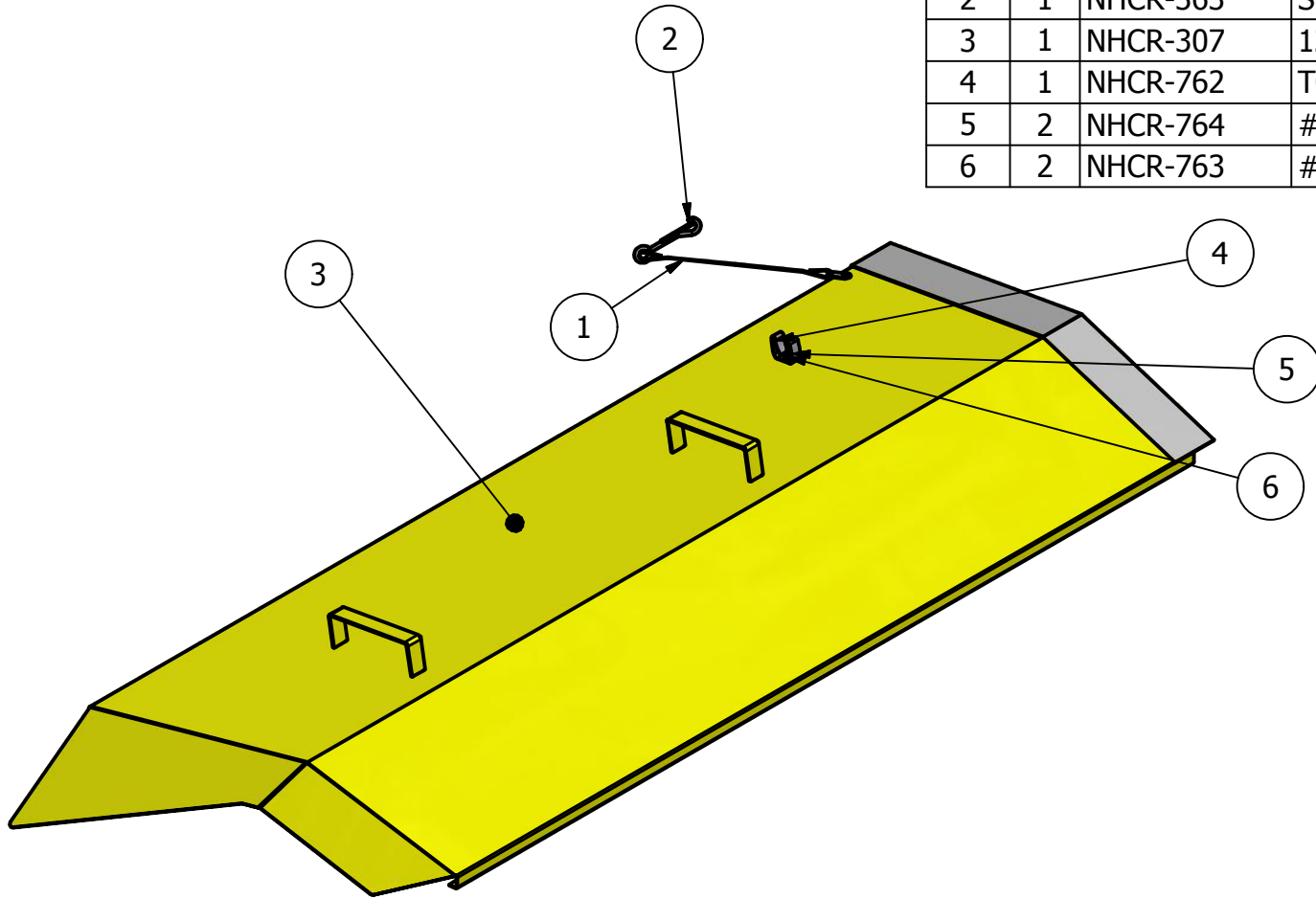


USED ON ASSEMBLY NHCR-410
420

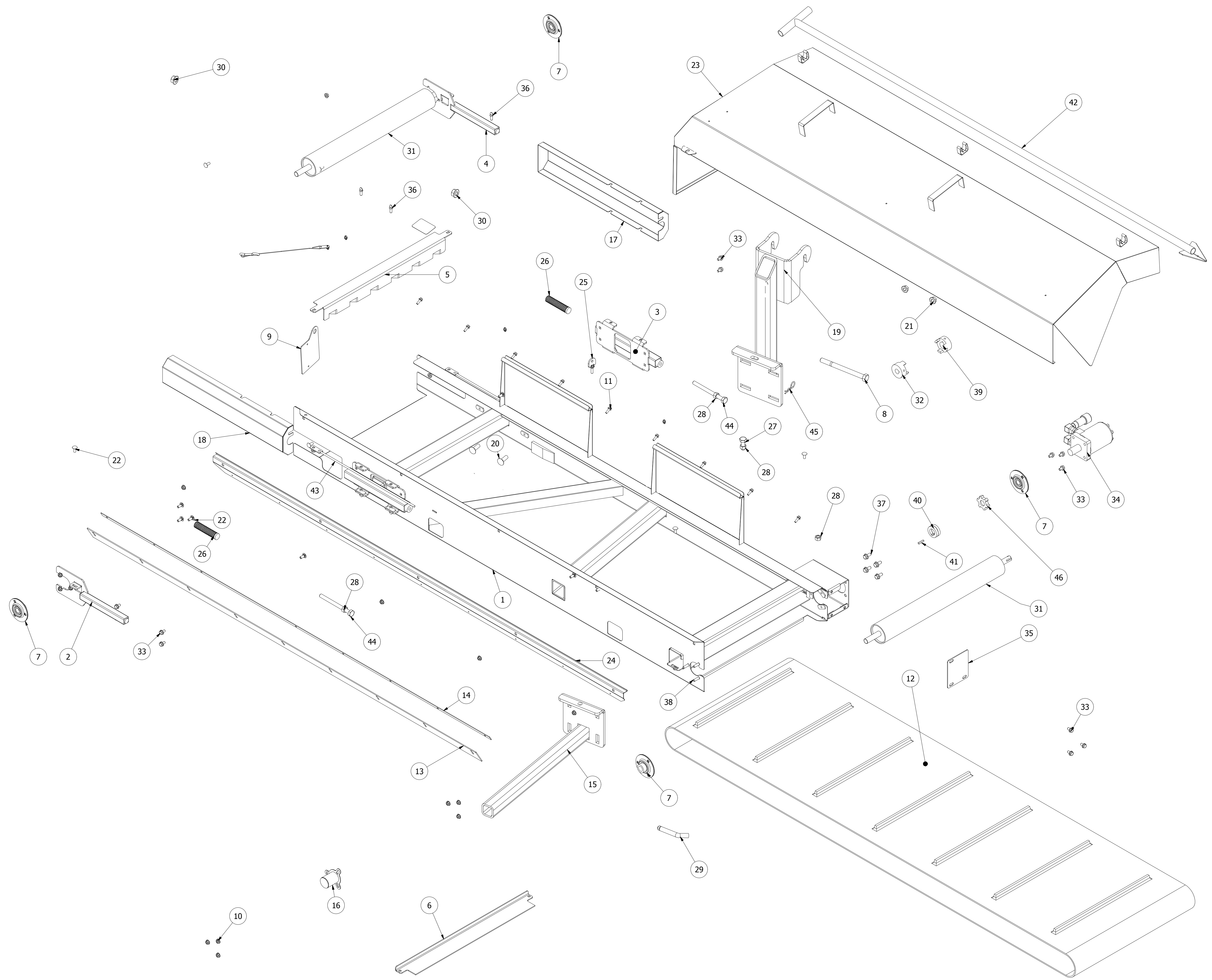
DRAWN	SAL	7/11/2012
CHECKED		
QA		
MFG		
APPROVED		
MATERIAL		

Craig Welding & Mfg., Inc.		
TITLE		
8 ROW CONVEYOR SUPPORT BOLT WELDMENT		
SIZE	MACH. SHOP #	PART NUMBER
A		NHCR-329
SHEET 1		OF 2

PARTS LIST			
ITEM	QTY	PART NUMBER	DESCRIPTION
1	1	NHCR-362	12" LANDYARD
2	1	NHCR-363	SNAP HOOK
3	1	NHCR-307	12 ROW LEFT INSIDE COVER WELDMENT
4	1	NHCR-762	TOOL HOLDER
5	2	NHCR-764	#10-24 STOVER LOCKNUT
6	2	NHCR-763	#10-24 X 1/2 BUTTON HEAD BOLT

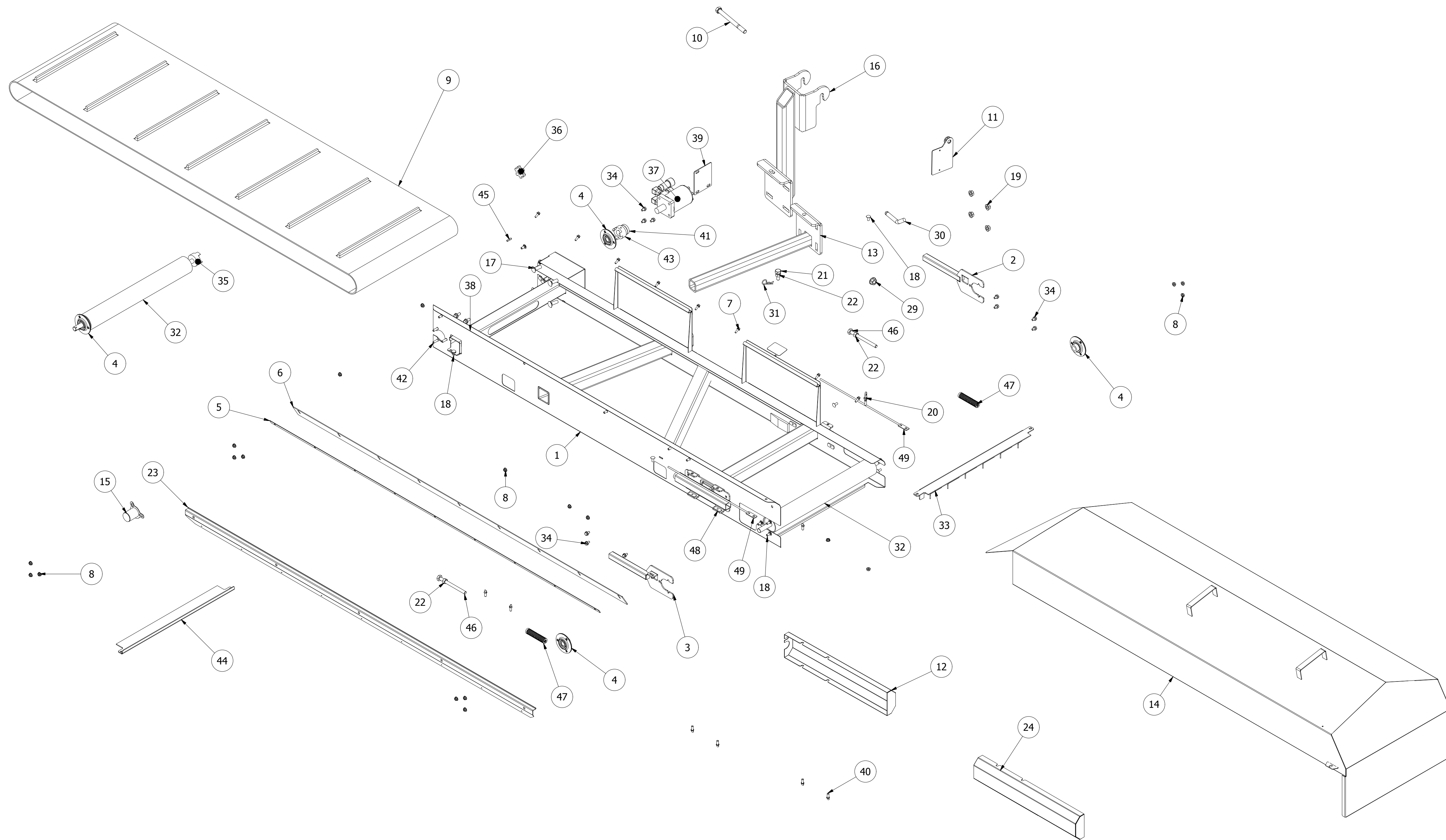


DRAWN	SAL	5/16/2012	<h2>Craig Welding & Mfg., Inc.</h2> <p>TITLE</p> <h3>12 ROW LEFT INNER CONVEYOR COVER</h3>		
CHECKED					
QA					
MFG					
APPROVED					
			SIZE	MACH. SHOP #	PART NUMBER
			A		NHCR-402
MATERIAL					SHEET 2 OF 2



PARTS LIST			
ITEM	QTY	PART NUMBER	DESCRIPTION
1	1	NHCR-204	8 ROW CONVEYOR PAN WELDMENT LEFT SIDE
2	1	NHCR-205	BEARING MOUNT WELDMENT LEFT
3	2	NHCR-210	BEARING TAKE-UP MOUNT WELDMENT
4	1	NHCR-229	BEARING MOUNTING BRACKET WELDMENT RIGHT
5	1	NHCR-714	LEFT IDLER PULLEY SCRAPER
6	1	NHCR-105	DRIVE PULLEY SCRAPER
7	4	NHCR-317	3/4" FLANGE BEARING WITH FLANGETTES
8	1	NHCR-020	5/8-11 x 7 1/2" BOLT
9	1	NHCR-138	AIR REGULATOR MOUNT
10	21	NHCR-018	5/16-18 SERRATED HEX FLANGE NUT
11	9	NHCR-023	1/4-20 x 3/4 SERRATED FLANGE BOLT
12	1	NHCR-014	CLEATED BELT 8 ROW
13	1	NHCR-133	8 ROW BELT WIPER RUBBER
14	1	NHCR-103	8 ROW BELT WIPER COVER PLATE
15	1	NHCR-163	SLIDING CONVEYOR MOUNT WELDMENT
16	1	NHCR-213	DRIVE PULLEY SHAFT GUARD WELDMENT
17	1	NHCR-214	TAKE-UP GUARD FRONT WELDMENT
18	1	NHCR-215	TAKE-UP GUARD REAR WELDMENT
19	1	NHCR-222	FRAME MOUNT FOR CONVEYORS WELDMENT
20	4	NHCR-017	1/2-13 X 1 1/2 CARRIAGE BOLT
21	4	NHCR-064	1/2-13 SERRATED FLANGE NUT
22	14	NHCR-085	5/16-18 X 3/4 CARRIAGE BOLT
23	1	NHCR-230	8 ROW LEFT CONVEYOR COVER WELDMENT
24	1	NHCR-104	TRACK SLIDE 8 ROW
25	1	NHCR-329	8 ROW CONVEYOR SUPPORT BOLT WELDMENT
26	2	NHCR-156	SPRING WELDMENT
27	1	NHCR-313	1/2-13 X 1 1/2 HEX BOLT
28	3	NHCR-016	1/2-13 HEX NUT
29	1	NHCR-109	HITCH PIN
30	2	NHCR-332	5/8-11 SERRATED FLANGE NUT
31	2	NHCR-703	CONVEYOR ROLLER WELDMENT
32	1	NHCR-710	3/4" LOVEJOY COUPLING
33	14	NHCR-706	5/16-18 X 1/2 SERRATED FLANGE BOLT
34	1	NHCR-897	LEFT DRIVE MOTOR
35	1	NHCR-713	CHANNEL CAP FOR MOTOR MOUNT
36	7	NHCR-720	5/16-18 X 3/4 THUMB SCREW
37	4	NHCR-725	3/8-16 X 3/4 SERRATED FLANGE BOLT
38	3	NHCR-755	DRIVE ROLLER BEARING STUD
39	1	NHCR-711	1" LOVEJOY COUPLING
40	2	NHCR-736	LOVE JOY SPACER
41	1	NHCR-761	CONVEYOR DRIVE SHAFT KEY
42	1	NHCR-750	UNPLUGGING TOOL WELDMENT
43	2	NHCR-767	TAKE-UP INDICATOR
44	2	NHCR-092	1/2-13 X 6 FULLY THREADED BOLT
45	1	NHCR-236	COTTERS, HAIRPIN
46	1	NHCR-712	LOVEJOY SPIDER

DRAWN SAL	2/19/2013	Craig Welding & Mfg., Inc.	
CHECKED			
QA		TITLE	
MFG		LH. 8 ROW CONVEYOR ASSEMBLY	
APPROVED		SIZE D	MACH. SHOP #
TOLERANCE ON FINISHED SURFACES: ONE PLACE DECIMALS ±.015 TWO PLACES DECIMALS ±.005 THREE PLACES DECIMALS ±.002 UNLESS OTHERWISE SHOWN		PART NUMBER NHCR-410	SHEET 1 OF 1

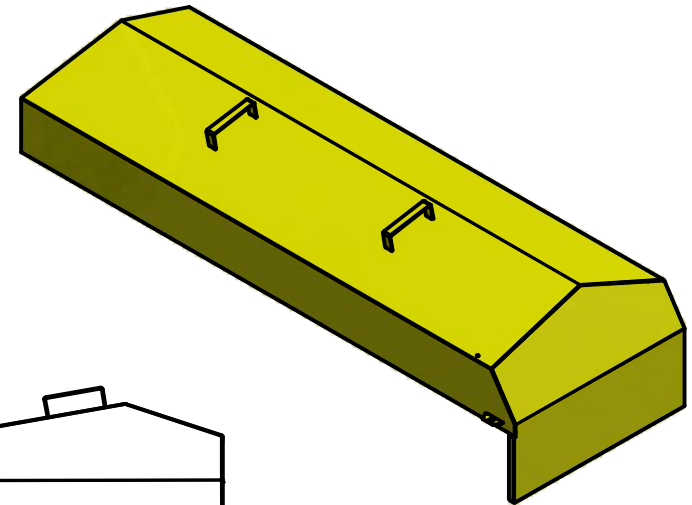
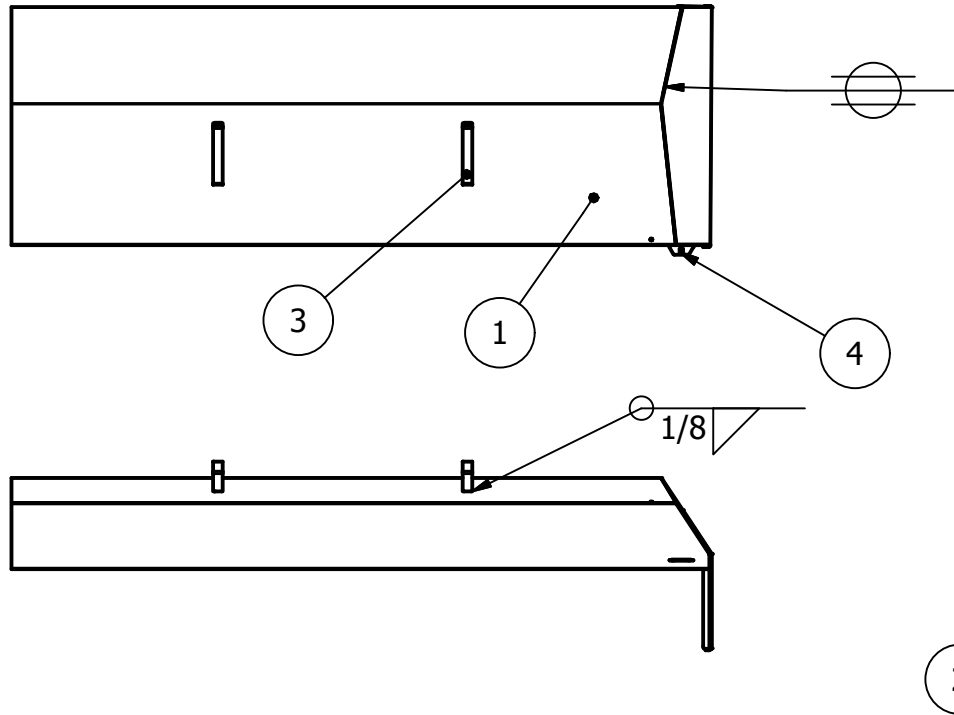


PARTS LIST			
ITEM	QTY	PART NUMBER	DESCRIPTION
1	1	NHCR-353	8 ROW RIGHT CONVEYOR PAN WELDMENT
2	1	NHCR-205	BEARING MOUNT WELDMENT LEFT
3	1	NHCR-229	BEARING MOUNTING BRACKET WELDMENT RIGHT
4	4	NHCR-317	3/4" FLANGE BEARING WITH FLANGETTES
5	1	NHCR-103	8 ROW BELT WIPER COVER PLATE
6	1	NHCR-133	8 ROW BELT WIPER RUBBER
7	9	NHCR-023	1/4-20 x 3/4 SERRATED FLANGE BOLT
8	22	NHCR-018	5/16-18 SERRATED HEX FLANGE NUT
9	1	NHCR-014	CLEATED BELT 8 ROW
10	1	NHCR-020	5/8-11 x 7 1/2" BOLT
11	1	NHCR-138	AIR REGULATOR MOUNT
12	1	NHCR-768	TAKE-UP GUARD FRONT WELDMENT
13	1	NHCR-163	SLIDING CONVEYOR MOUNT WELDMENT
14	1	NHCR-217	8 ROW RIGHT CONVEYOR COVER WELDMENT
15	1	NHCR-213	DRIVE PULLEY SHAFT GUARD WELDMENT
16	1	NHCR-222	FRAME MOUNT FOR CONVEYORS WELDMENT
17	4	NHCR-017	1/2-13 X 1 1/2 CARRIAGE BOLT
18	15	NHCR-085	5/16-18 X 3/4 CARRIAGE BOLT
19	4	NHCR-064	1/2-13 SERRATED FLANGE NUT
20	1	NHCR-329	8 ROW CONVEYOR SUPPORT BOLT WELDMENT
21	1	NHCR-313	1/2-13 X 1 1/2 HEX BOLT
22	3	NHCR-016	1/2-13 HEX NUT
23	1	NHCR-104	TRACK SLIDE 8 ROW
24	1	NHCR-333	TAKE-UP GUARD RIGHT REAR WELDMENT
29	2	NHCR-332	5/8-11 SERRATED FLANGE NUT
30	1	NHCR-109	HITCH PIN
31	1	NHCR-236	COTTERS, HAIRPIN
32	2	NHCR-703	CONVEYOR ROLLER WELDMENT
33	1	NHCR-724	RIGHT IDLER PULLEY SCRAPER
34	14	NHCR-706	5/16-18 X 1/2 SERRATED FLANGE BOLT
35	1	NHCR-710	3/4" LOVEJOY COUPLING
36	1	NHCR-712	LOVEJOY SPIDER
37	1	NHCR-902	RIGHT DRIVE MOTOR
38	4	NHCR-725	3/8-16 X 3/4 SERRATED FLANGE BOLT
39	1	NHCR-713	CHANNEL CAP FOR MOTOR MOUNT
40	7	NHCR-720	5/16-18 X 3/4 THUMB SCREW
41	2	NHCR-736	LOVE JOY SPACER
42	3	NHCR-755	DRIVE ROLLER BEARING STUD
43	1	NHCR-711	1" LOVEJOY COUPLING
44	1	NHCR-105	DRIVE PULLEY SCRAPER
45	1	NHCR-761	CONVEYOR DRIVE SHAFT KEY
46	2	NHCR-092	1/2-13 X 6 FULLY THREADED BOLT
47	2	NHCR-156	SPRING WELDMENT
48	2	NHCR-210	BEARING TAKE-UP MOUNT WELDMENT
49	2	NHCR-767	TAKE-UP INDICATOR

DRAWN SAL	2/20/2013	Craig Welding & Mfg., Inc.	
CHECKED			
QA		TITLE	
MFG		RH. 8 ROW CONVEYOR ASSEMBLY	
APPROVED		SIZE D	MACH. SHOP #
TOLERANCE ON FINISHED SURFACES: ONE PLACE DECIMAL $\pm .01$ TWO PLACES DECIMAL $\pm .002$ THREE PLACES DECIMAL $\pm .0005$ UNLESS OTHERWISE SHOWN		PART NUMBER NHCR-420	SHEET 1 OF 1

PARTS LIST

ITEM	QTY	PART NUMBER	DESCRIPTION
1	1	NH-CR-309	12 ROW CONVEYOR RIGHT OUTER COVER
2	1	NHCR-721	RIGHT CONVEYOR COVER END
3	2	NHCR-718	HANDLE
4	1	NHCR-719	COVER HOLD DOWN BRACKET

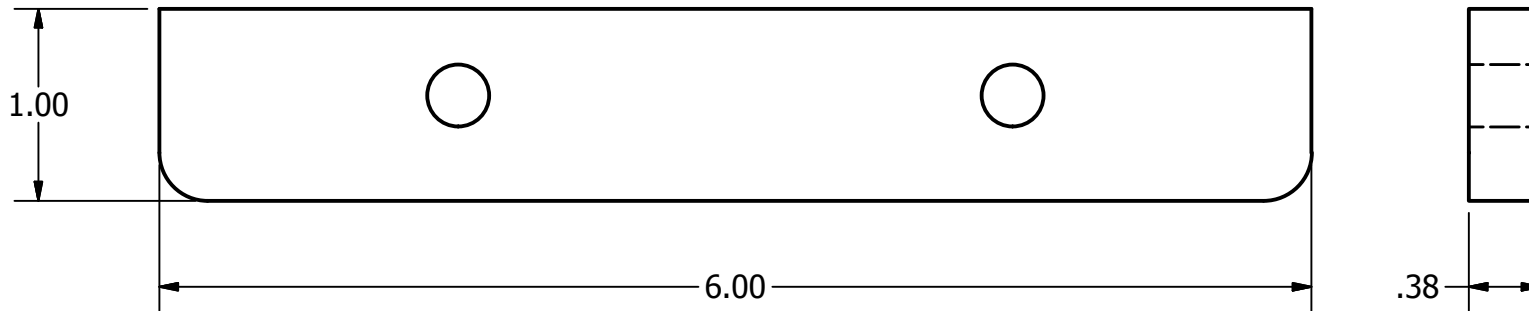
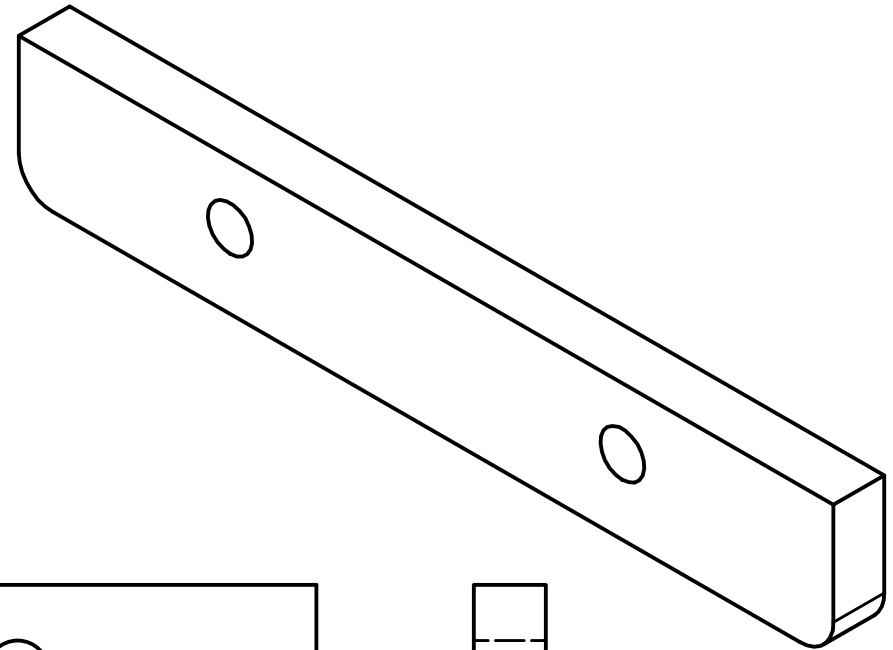


DRAWN	1/23/2013
SAL	
CHECKED	
QA	
MFG	
APPROVED	
TOLERANCE ON FINISHED SURFACES: ONE PLACE DECIMAL +/- .1" TWO PLACE DECIMAL +/- .01" THREE PLACE DECIMAL +/- .005" UNLESS OTHERWISE SHOWN	
MATERIAL	

Craig Welding & Mfg., Inc.		
TITLE		
12 ROW RIGHT OUTER CONVEYOR COVER WELDMENT		
SIZE	MACH. SHOP #	PART NUMBER
A		NHCR-751
		SHEET 1 OF 1

PARTS LIST

ITEM	QTY	PART NUMBER	DESCRIPTION	MATERIAL
1	1	NHCR-792	DEFLECTOR SPACER FOR OFFSET ROW	3/8" HRSH



DRAWN	9/9/2013
SAL	
CHECKED	
QA	
MFG	
APPROVED	

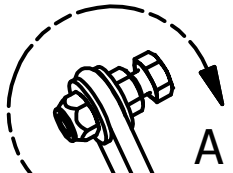
Craig Welding & Mfg., Inc.

TITLE
DEFLECTOR SPACER FOR OFFSET ROW

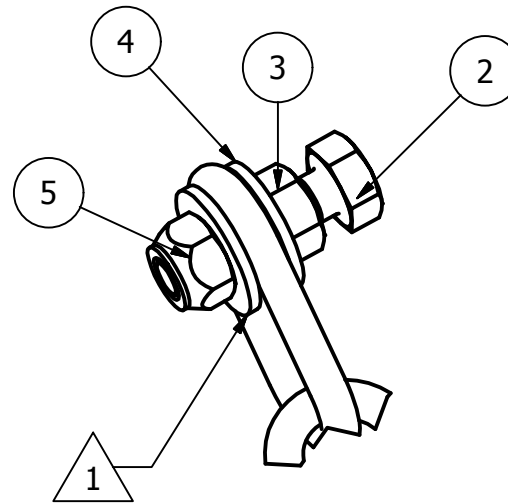
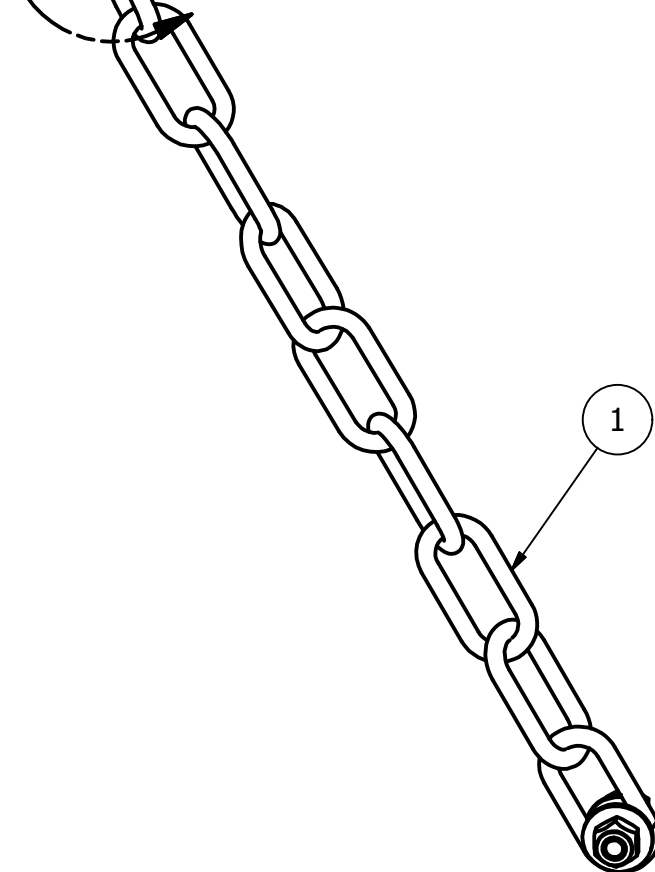
TOLERANCE ON FINISHED SURFACES:
ONE PLACE DECIMAL +/- .1"
TWO PLACE DECIMAL +/- .01"
THREE PLACE DECIMAL +/- .005"
UNLESS OTHERWISE SHOWN

SIZE	MACH. SHOP #	PART NUMBER
A		NHCR-792

MATERIAL Generic SHEET 1 OF 1



PARTS LIST			
ITEM	QTY	PART NUMBER	DESCRIPTION
1	1	NHCR-891	TWISTED CHAIN 10 1/2" LONG
2	2	NHCR-893	1/4" -20 UNC HEX BOLT 1" LONG
3	2	NHCR-896	1/4" NUT
4	4	NHCR-732	1/4" FLAT WASHER
5	2	NHCR-888	IFI 100/107 - 1/4 - 20 Metal Type



DETAIL A
SCALE 1 : 1

DRAWN	SAL	4/17/2013
CHECKED		
QA		
MFG		
APPROVED		

Craig Welding & Mfg., Inc.

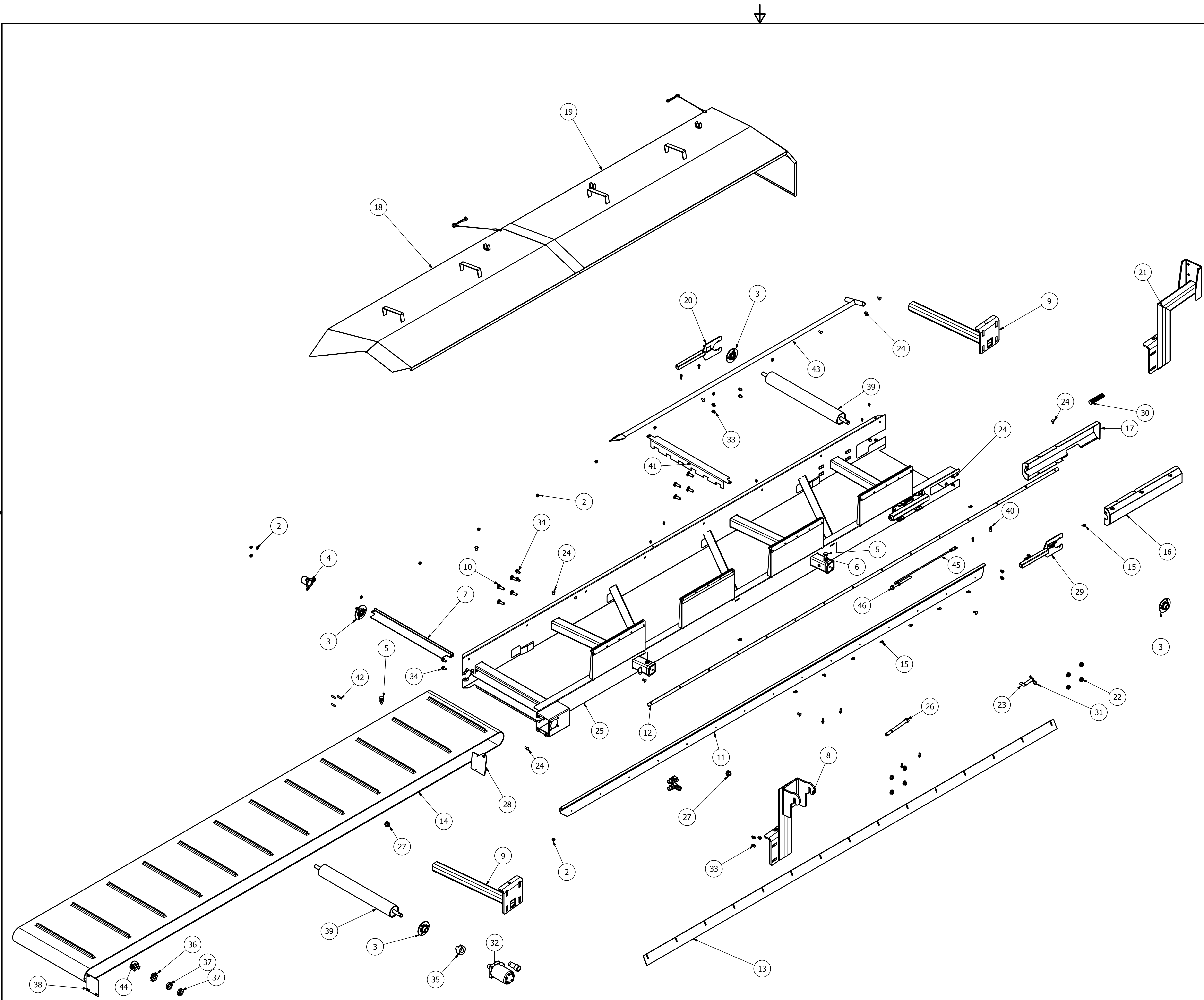
TITLE
SUPPORT CHAIN

REVISION HISTORY		
REV	DESCRIPTION	DATE
1	AS MANUFACTURED	4/30/2013

TOLERANCE ON FINISHED SURFACES:
ONE PLACE DECIMAL +/- .1"
TWO PLACE DECIMAL +/- .01"
THREE PLACE DECIMAL +/- .005"
UNLESS OTHERWISE SHOWN

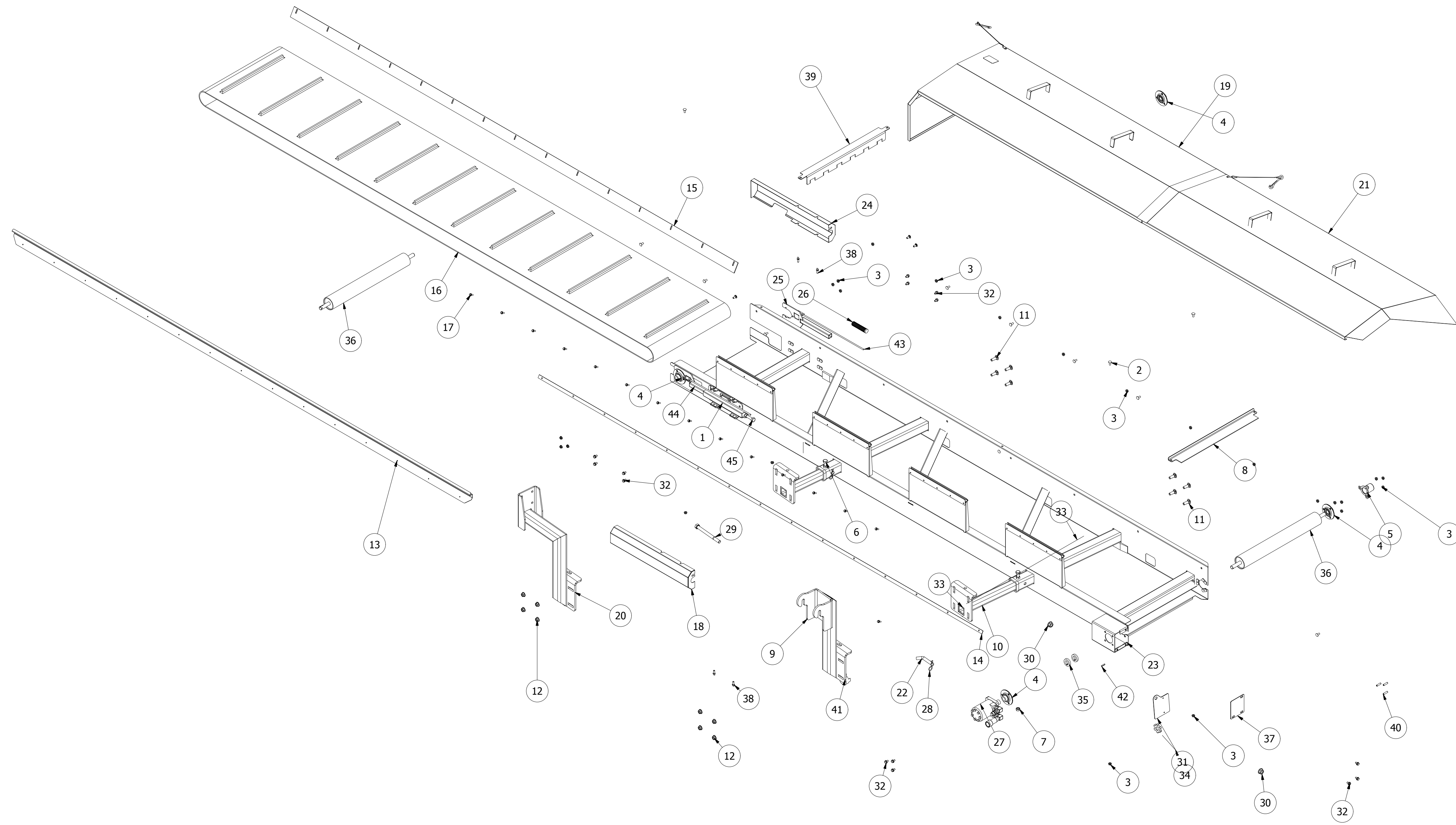
SIZE	MACH. SHOP #	PART NUMBER
A		NHCR-892

MATERIAL SHEET 1 OF 1



PARTS LIST			
ITEM	QTY	PART NUMBER	DESCRIPTION
1	2	NHCR-210	BEARING TAKE-UP MOUNT WELDMENT
2	26	NHCR-018	5/16-18 SERRATED HEX FLANGE NUT
3	4	NHCR-317	3/4" FLANGE BEARING WITH FLANGETTES
4	1	NHCR-213	DRIVE PULLEY SHAFT GUARD WELDMENT
5	2	NHCR-313	1/2-13 X 1 1/2 HEX BOLT
6	4	NHCR-016	1/2-13 HEX NUT
7	1	NHCR-105	DRIVE PULLEY SCRAPER
8	1	NHCR-222	FRAME MOUNT FOR CONVEYORS WELDMENT
9	2	NHCR-163	SLIDING CONVEYOR MOUNT WELDMENT
10	8	NHCR-017	1/2-13 X 1 1/2 CARRIAGE BOLT
11	1	NHCR-189	12 ROW TRACK SLIDE
12	1	NHCR-190	12 ROW BELT WIPER COVER PLATE
13	1	NH-CR-191	12 ROW BELT WIPER
14	1	NHCR-192	CLEATED BELT (12 ROW)
15	15	NHCR-023	1/4-20 x 3/4 SERRATED FLANGE BOLT
16	1	NHCR-214	TAKE-UP GUARD FRONT WELDMENT
17	1	NHCR-215	TAKE-UP GUARD REAR WELDMENT
18	1	NHCR-402	12 ROW LEFT INNER CONVEYOR COVER
19	1	NHCR-311	12 ROW LEFT OUTER CONVEYOR COVER
20	1	NHCR-205	BEARING MOUNT WELDMENT LEFT
21	1	NHCR-155	12 ROW LEFT OUTSIDE CONVEYOR MOUNT WELDMENT
22	8	NHCR-064	1/2-13 SERRATED FLANGE NUT
23	2	NHCR-109	HITCH PIN
24	18	NHCR-085	5/16-18 X 3/4 CARRIAGE BOLT
25	1	NHCR-327	12 ROW LEFT CONVEYOR PAN WELDMENT
26	1	NHCR-020	5/8-11 x 7 1/2" BOLT
27	2	NHCR-332	5/8-11 SERRATED FLANGE NUT
28	1	NHCR-138	AIR REGULATOR MOUNT
29	1	NHCR-229	BEARING MOUNTING BRACKET WELDMENT RIGHT
30	2	NHCR-156	SPRING WELDMENT
31	2	NHCR-889	HAIRPIN
32	1	NHCR-897	LEFT DRIVE MOTOR
33	14	NHCR-706	5/16-18 X 1/2 SERRATED FLANGE BOLT
34	4	NHCR-725	3/8-16 X 3/4 SERRATED FLANGE BOLT
35	1	NHCR-711	1" LOVEJOY COUPLING
36	1	NHCR-712	LOVEJOY SPIDER
37	2	NHCR-736	LOVE JOY SPACER
38	1	NHCR-713	CHANNEL CAP FOR MOTOR MOUNT
39	2	NHCR-703	CONVEYOR ROLLER WELDMENT
40	8	NHCR-720	5/16-18 X 3/4 THUMB SCREW
41	1	NHCR-714	LEFT IDLER PULLEY SCRAPER
42	3	NHCR-755	DRIVE ROLLER BEARING STUD
43	1	NHCR-750	UNPLUGGING TOOL WELDMENT
44	1	NHCR-710	3/4" LOVEJOY COUPLING
45	2	NHCR-767	TAKE-UP INDICATOR
46	2	NHCR-092	1/2-13 X 6 FULLY THREADED BOLT

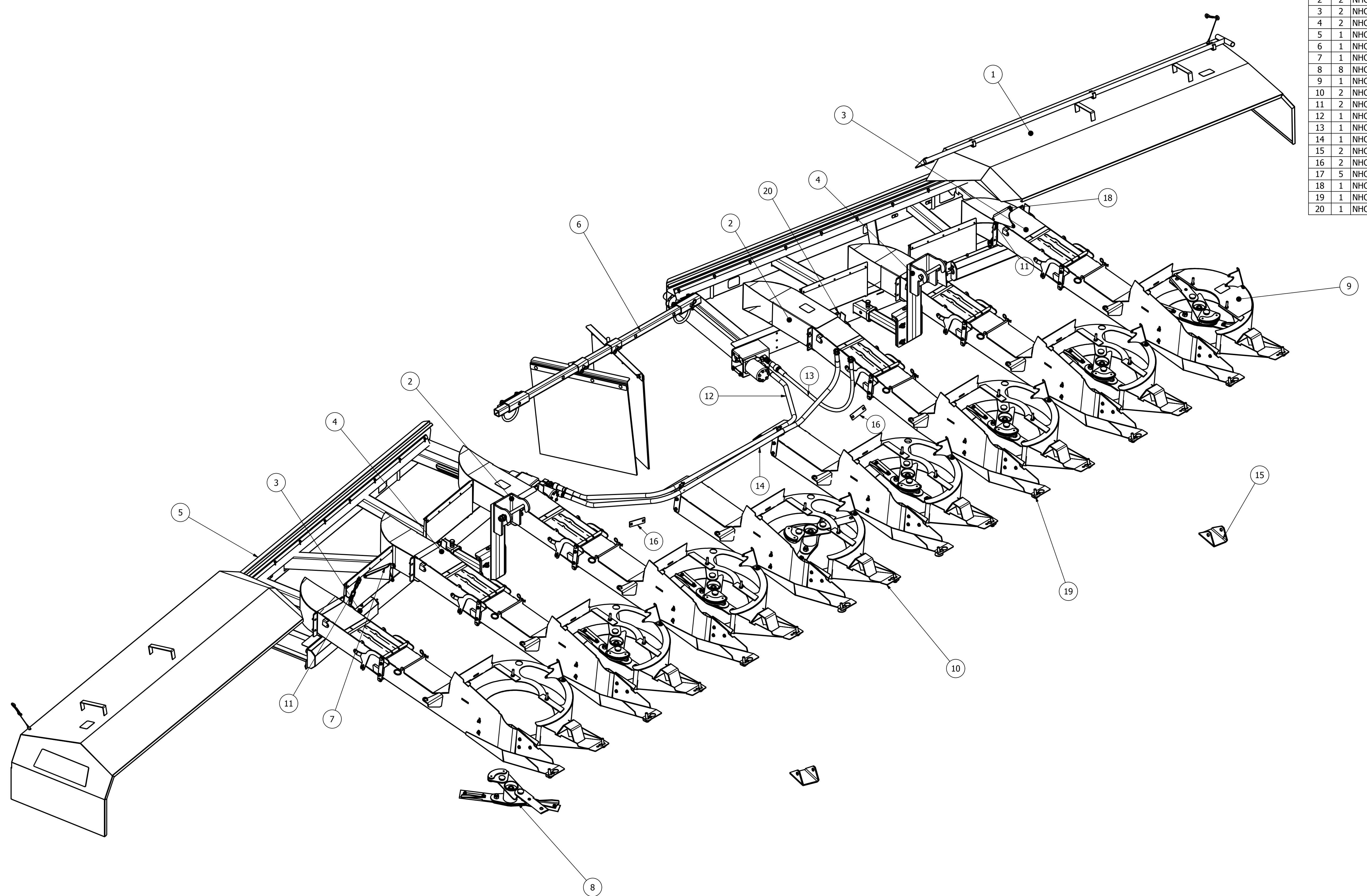
DRAWN SAL	2/20/2013	Craig Welding & Mfg., Inc.	
CHECKED			
QA		TITLE	
MFG		LH. 12 ROW CONVEYOR ASSEMBLY	
APPROVED		SIZE D	MACH. SHOP #
MATERIAL		PART NUMBER NHCR-440	
			SHEET 1 OF 1



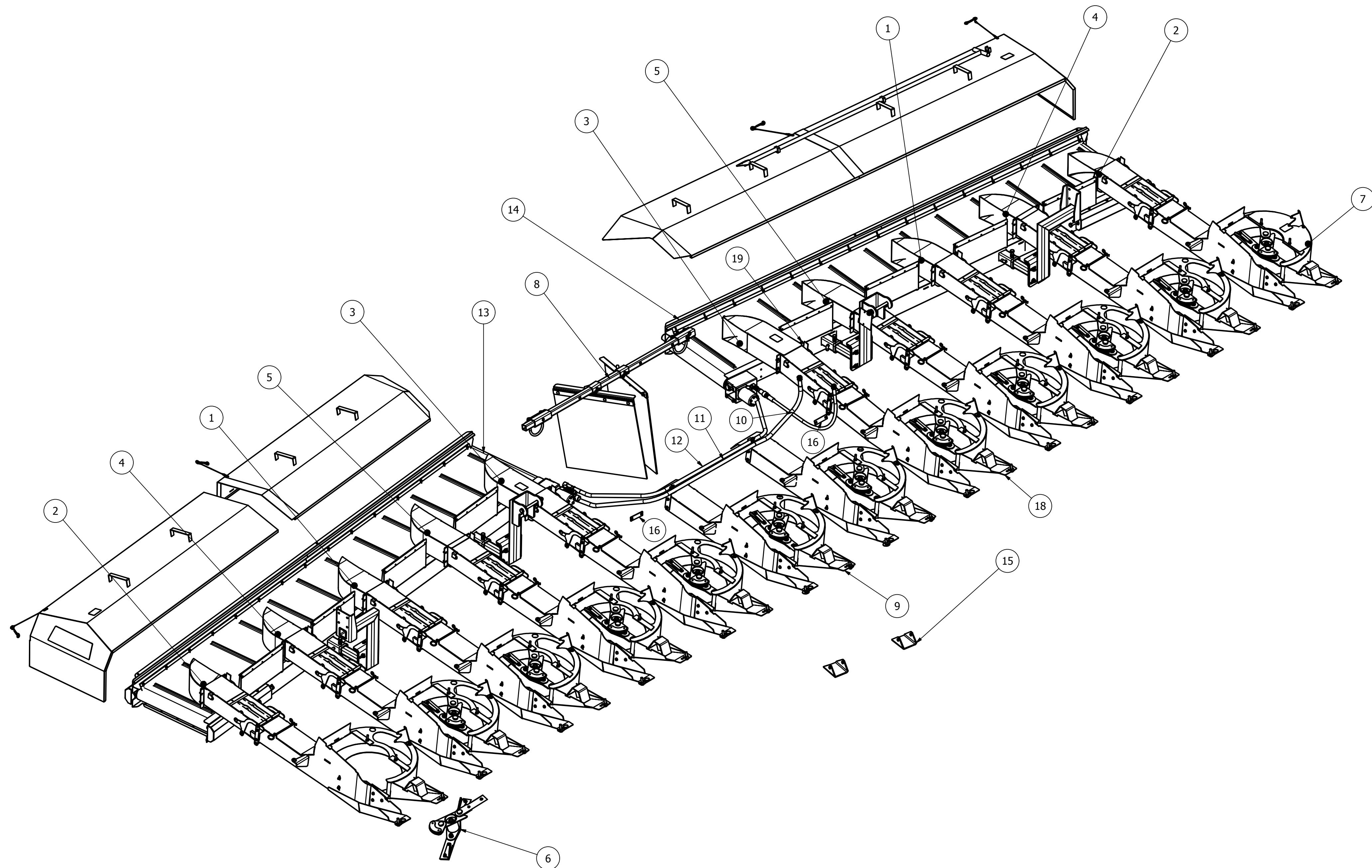
PARTS LIST			
ITEM	QTY	PART NUMBER	DESCRIPTION
1	2	NHCR-210	BEARING TAKE-UP MOUNT WELDMENT
2	17	NHCR-085	5/16-18 X 3/4 CARRIAGE BOLT
3	24	NHCR-018	5/16-18 SERRATED HEX FLANGE NUT
4	4	NHCR-317	3/4" FLANGE BEARING WITH FLANGETTES
5	1	NHCR-213	DRIVE PULLEY SHAFT GUARD WELDMENT
6	2	NHCR-313	1/2-13 X 1 1/2 HEX BOLT
7	4	NHCR-016	1/2-13 HEX NUT
8	1	NHCR-105	DRIVE PULLEY SCRAPER
9	1	NHCR-222	FRAME MOUNT FOR CONVEYORS WELDMENT
10	2	NHCR-163	SLIDING CONVEYOR MOUNT WELDMENT
11	8	NHCR-017	1/2-13 X 1 1/2 CARRIAGE BOLT
12	8	NHCR-064	1/2-13 SERRATED FLANGE NUT
13	1	NHCR-189	12 ROW TRACK SLIDE
14	1	NHCR-190	12 ROW BELT WIPER COVER PLATE
15	1	NH-CR-191	12 ROW BELT WIPER
16	1	NHCR-192	CLEATED BELT (12 ROW)
17	15	NHCR-023	1/4-20 x 3/4 SERRATED FLANGE BOLT
18	1	NHCR-768	TAKE-UP GUARD FRONT WELDMENT
19	1	NHCR-310	12 ROW RIGHT OUTER CONVEYOR COVER
20	1	NHCR-305	12 ROW RIGHT SIDE OUTSIDE CONVEYOR MOUNT WELDMENT
21	1	NH-CR-308	12 ROW RIGHT INNER CONVEYOR COVER
22	2	NHCR-109	HITCH PIN
23	1	NHCR-326	12 ROW RIGHT CONVEYOR PAN WELDMENT
24	1	NHCR-333	TAKE-UP GUARD RIGHT REAR WELDMENT
25	1	NHCR-229	BEARING MOUNTING BRACKET WELDMENT RIGHT
26	2	NHCR-156	SPRING WELDMENT
27	1	NHCR-902	RIGHT DRIVE MOTOR
28	2	NHCR-889	HAIRPIN
29	1	NHCR-020	5/8-11 x 7 1/2" BOLT
30	2	NHCR-332	5/8-11 SERRATED FLANGE NUT
31	1	NHCR-138	AIR REGULATOR MOUNT
32	14	NHCR-706	5/16-18 X 1/2 SERRATED FLANGE BOLT
33	1	NHCR-710	3/4" LOVEJOY COUPLING
34	1	NHCR-712	LOVEJOY SPIDER
35	2	NHCR-736	LOVE JOY SPACER
36	2	NHCR-703	CONVEYOR ROLLER WELDMENT
37	1	NHCR-713	CHANNEL CAP FOR MOTOR MOUNT
38	8	NHCR-720	5/16-18 X 3/4 THUMB SCREW
39	1	NHCR-724	RIGHT IDLER PULLEY SCRAPER
40	3	NHCR-755	DRIVE ROLLER BEARING STUD
41	1	NHCR-711	1" LOVEJOY COUPLING
42	1	NHCR-761	CONVEYOR DRIVE SHAFT KEY
43	2	NHCR-767	TAKE-UP INDICATOR
44	1	NHCR-205	BEARING MOUNT WELDMENT LEFT
45	2	NHCR-092	1/2-13 X 6 FULLY THREADED BOLT

DRAWN SAL	2/20/2013	Craig Welding & Mfg., Inc.		
CHECKED				
QA				
MFG				
APPROVED		RH. 12 ROW CONVEYOR ASSEMBLY		
TOLERANCE ON FINISHED SURFACES: ONE PLACE DECIMAL ±.015 TWO PLACE DECIMAL ±.002 THREE PLACE DECIMAL ±.0005 UNLESS OTHERWISE SHOWN		SIZE D	MACH. SHOP #	PART NUMBER NHCR-450
MATERIAL				SHEET 1 OF 1

PARTS LIST			
ITEM	QTY	PART NUMBER	DESCRIPTION
1	1	NHCR-410	LH. 8 ROW CONVEYOR ASSEMBLY
2	2	NHCR-352	LONG ELBOW DEFLECTOR WELDMENT
3	2	NHCR-152	OUTER ELBOW DEFLECTOR WELDMENT
4	2	NHCR-351	MIDDLE ELBOW DEFLECTOR WELDMENT
5	1	NHCR-420	RH. 8 ROW CONVEYOR ASSEMBLY
6	1	NHCR-165	CYLINDER MOUNT WINDROWER ASSEMBLY
7	1	NHCR-180	STABILIZER FOR 8 ROW CONVEYOR
8	8	NHCR-744	3 BLADE ROTOR WITH COUNTER WEIGHT
9	1	NHCR-066	CUTTER GUARD
10	2	NHCR-757	CENTER DECK ASSEMBLY
11	2	NHCR-892	SUPPORT CHAIN
12	1	NHCR-884	105" CROSSOVER HOSE ASSEMBLY
13	1	NHCR-883	57" PRIMARY HOSE ASSEMBLY
14	1	NHCR-882	135" RETURN HOSE ASSEMBLY
15	2	NHCR-084	FOOT STAND
16	2	NHCR-079	HOSE BRACKET
17	5	NHCR-753	OUTER DECK ASSEMBLY
18	1	NHCR-157	CONVEYOR SUPPORT LEFT SIDE
19	1	NHCR-791	OFFSET OUTER DECK ASSEMBLY
20	1	NHCR-792	DEFLECTOR SPACER FOR OFFSET ROW

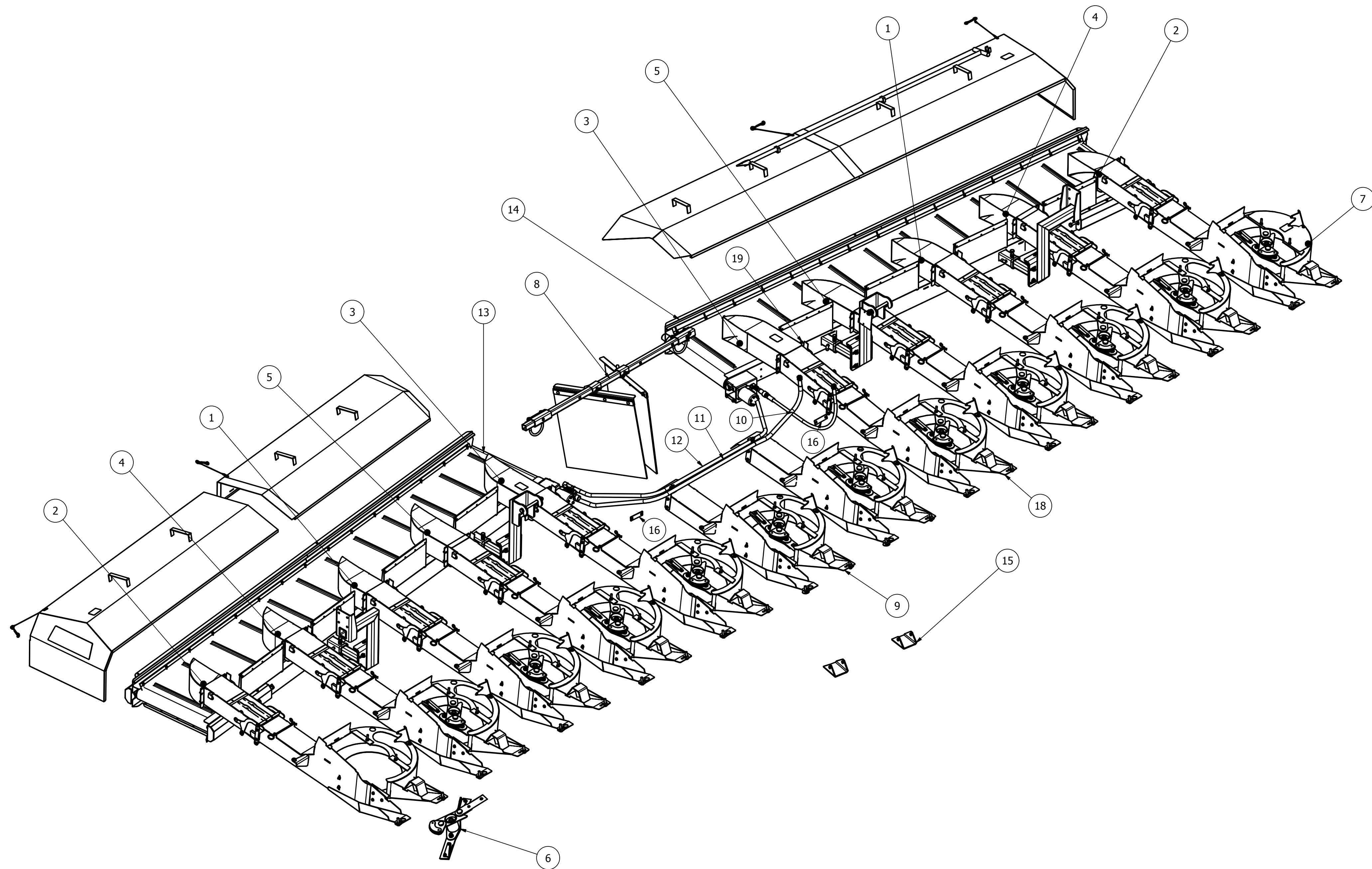


DRAWN SAL	2/20/2013	Craig Welding & Mfg., Inc.	
CHECKED		TITLE	
QA		8 ROW CORNROWER COMPLETE	
MFG		SIZE	MACH. SHOP #
APPROVED		D	
MATERIAL		PART NUMBER	
		NHCR-550	
			SHEET 1 OF 2



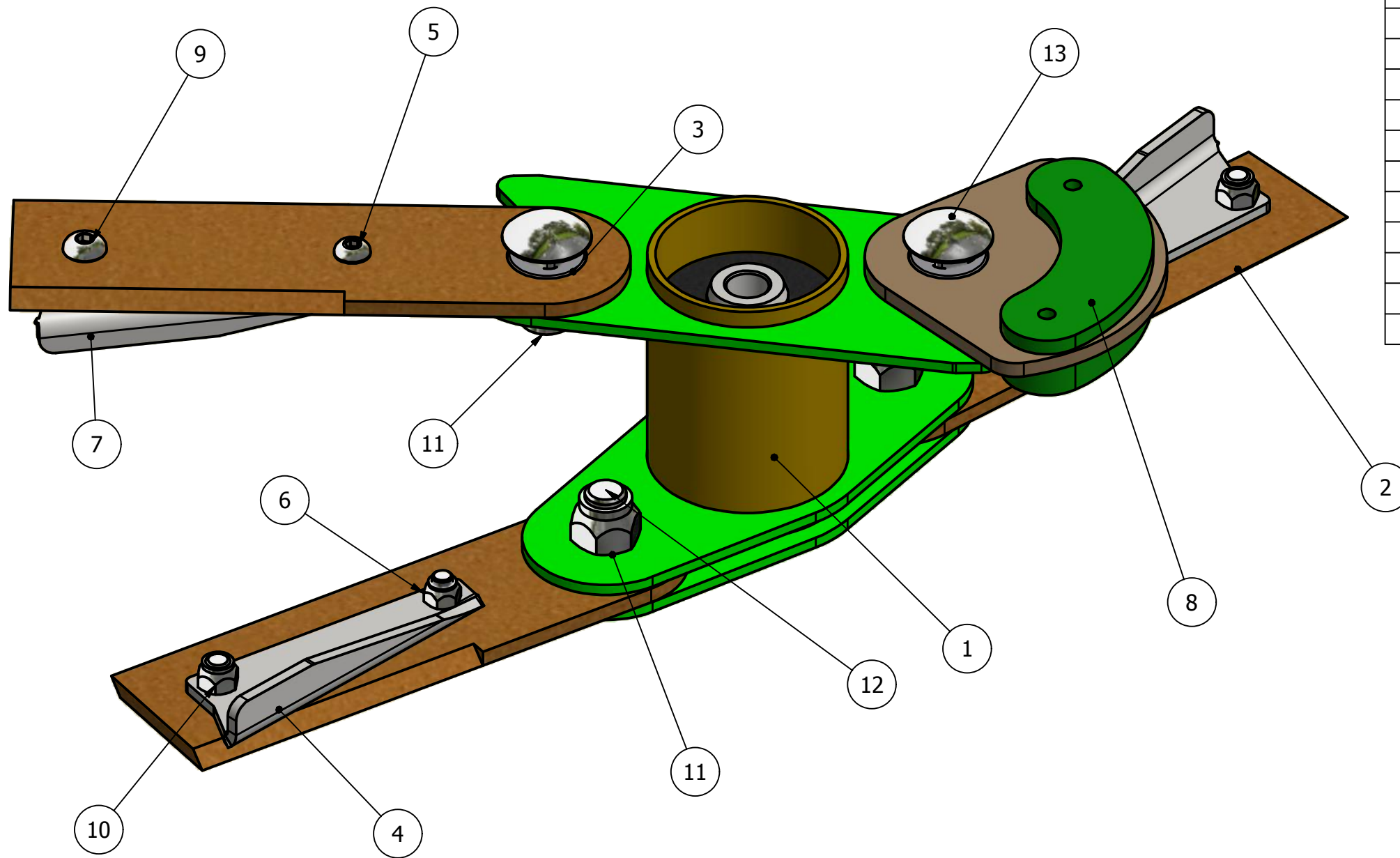
PARTS LIST			
ITEM	QTY	PART NUMBER	DESCRIPTION
1	2	NHCR-351	MIDDLE ELBOW DEFLECTOR WELDMENT
2	2	NHCR-152	OUTER ELBOW DEFLECTOR WELDMENT
3	2	NHCR-352	LONG ELBOW DEFLECTOR WELDMENT
4	2	NHCR-357	12 ROW # 2 ELBOW DEFLECTOR WELDMENT
5	2	NHCR-358	12 ROW # 4 ELBOW DEFLECTOR WELDMENT
6	12	NHCR-744	3 BLADE ROTOR WITH COUNTER WEIGHT
7	1	NHCR-066	CUTTER GUARD
8	1	NHCR-165	CYLINDER MOUNT WINDROWER ASSEMBLY
9	2	NHCR-757	CENTER DECK ASSEMBLY
10	1	NHCR-883	57" PRIMARY HOSE ASSEMBLY
11	1	NHCR-882	135" RETURN HOSE ASSEMBLY
12	1	NHCR-884	105" CROSSOVER HOSE ASSEMBLY
13	1	NHCR-450	RH. 12 ROW CONVEYOR ASSEMBLY
14	1	NHCR-440	LH. 12 ROW CONVEYOR ASSEMBLY
15	2	NHCR-084	FOOT STAND
16	2	NHCR-079	HOSE BRACKET
17	9	NHCR-753	OUTER DECK ASSEMBLY
18	1	NHCR-791	OFFSET OUTER DECK ASSEMBLY
19	1	NHCR-792	DEFLECTOR SPACER FOR OFFSET ROW

DRAWN SAL	4/26/2013	Craig Welding & Mfg., Inc.	
CHECKED			
QA		TITLE	
MFG		12 ROW CORNROWER COMPLETE	
APPROVED		SIZE D	MACH. SHOP #
MATERIAL		PART NUMBER NHCR-650	



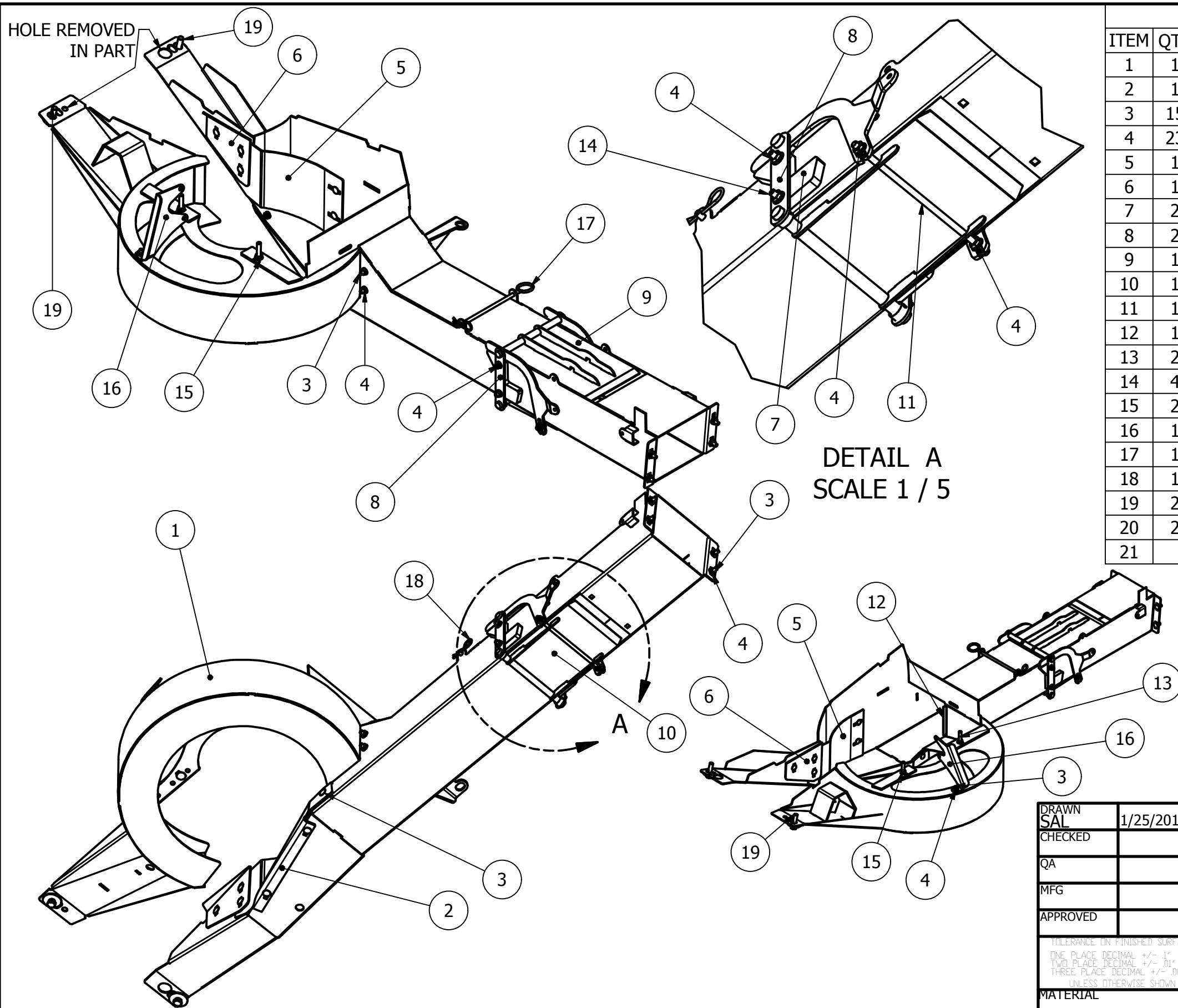
PARTS LIST			
ITEM	QTY	PART NUMBER	DESCRIPTION
1	2	NHCR-351	MIDDLE ELBOW DEFLECTOR WELDMENT
2	2	NHCR-152	OUTER ELBOW DEFLECTOR WELDMENT
3	2	NHCR-352	LONG ELBOW DEFLECTOR WELDMENT
4	2	NHCR-357	12 ROW # 2 ELBOW DEFLECTOR WELDMENT
5	2	NHCR-358	12 ROW # 4 ELBOW DEFLECTOR WELDMENT
6	12	NHCR-744	3 BLADE ROTOR WITH COUNTER WEIGHT
7	1	NHCR-066	CUTTER GUARD
8	1	NHCR-165	CYLINDER MOUNT WINDROWER ASSEMBLY
9	2	NHCR-757	CENTER DECK ASSEMBLY
10	1	NHCR-883	57" PRIMARY HOSE ASSEMBLY
11	1	NHCR-882	135" RETURN HOSE ASSEMBLY
12	1	NHCR-884	105" CROSSOVER HOSE ASSEMBLY
13	1	NHCR-450	RH. 12 ROW CONVEYOR ASSEMBLY
14	1	NHCR-440	LH. 12 ROW CONVEYOR ASSEMBLY
15	2	NHCR-084	FOOT STAND
16	2	NHCR-079	HOSE BRACKET
17	9	NHCR-753	OUTER DECK ASSEMBLY
18	1	NHCR-791	OFFSET OUTER DECK ASSEMBLY
19	1	NHCR-792	DEFLECTOR SPACER FOR OFFSET ROW

DRAWN SAL	4/26/2013	Craig Welding & Mfg., Inc.	
CHECKED			
QA		TITLE	
MFG		12 ROW CORNROWER COMPLETE	
APPROVED		SIZE D	MACH. SHOP #
MATERIAL		PART NUMBER NHCR-650	



PARTS LIST			
ITEM	QTY	PART NUMBER	DESCRIPTION
1	1	NHCR-253	ROTOR 3 BLADE WELDMENT
2	3	NHCR-258	LONG BLADE FURNISHED
3	4	NHCR-901	FURNISHED
4	2	NHCR-264	BOTTOM BLADE WING
5	3	NHCR-275	5/16-18 X 7/8 BUTTON HEAD BOLT
6	3	NHCR-089	5/16-18 STOVER LOCK NUT
7	1	NHCR-263	TOP BLADE WING
8	1	NHCR-270	COUNTER WEIGHT WELDMENT
9	3	NHCR-745	3/8-16 X 7/8 BUTTON HEAD BOLT
10	3	NHCR-746	3/8-16 STOVER LOCK NUT
11	4	NHCR-324	5/8-11 STOVER LOCK NUT
12	2	NHCR-760	5/8-11 X 1 1/2 HEX HEAD BOLT
13	2	NHCR-887	5/8" X 1 1/2" CARRIAGE BOLT

DRAWN SAL	1/21/2013	Craig Welding & Mfg., Inc. TITLE 3 BLADE ROTOR WITH COUNTER WEIGHT		
CHECKED				
QA				
MFG				
APPROVED		SIZE	MACH. SHOP #	PART NUMBER
<small>TOLERANCE ON FINISHED SURFACES: ONE PLACE DECIMAL +/- .1" TWO PLACE DECIMAL +/- .01" THREE PLACE DECIMAL +/- .005" UNLESS OTHERWISE SHOWN</small>		B		NHCR-744
MATERIAL				SHEET 3 OF 3

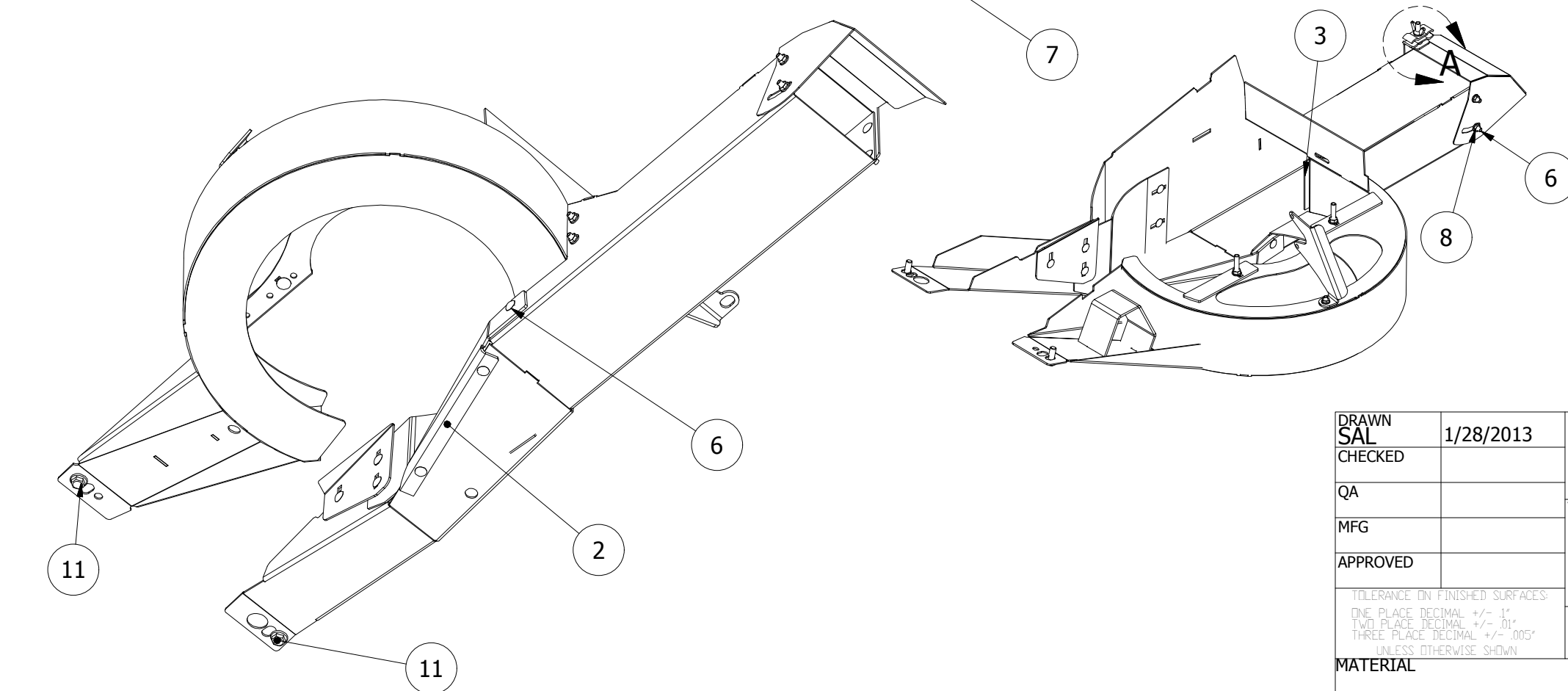
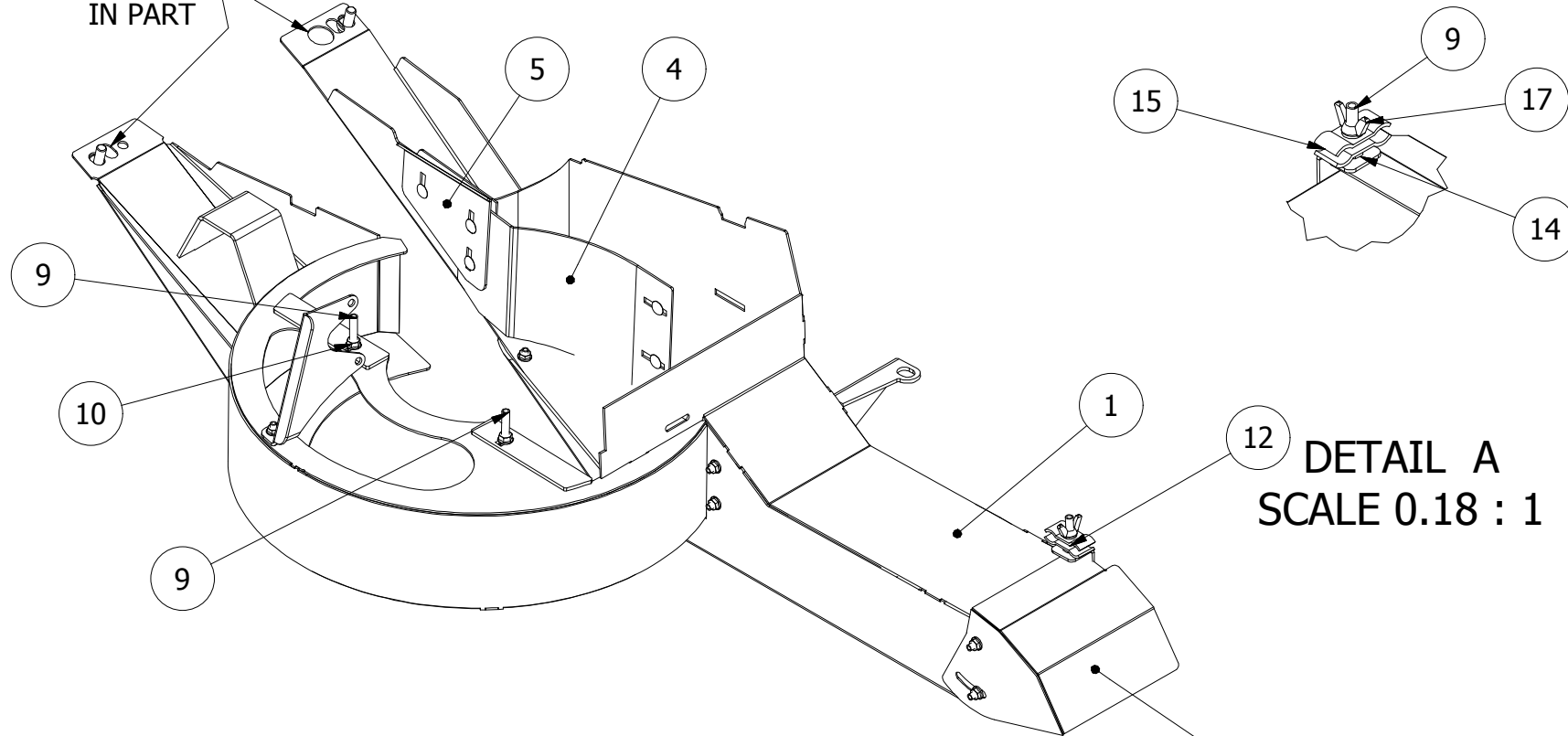


DETAIL A
SCALE 1 / 5

PARTS LIST			
ITEM	QTY	PART NUMBER	DESCRIPTION
1	1	NHCR-727	OUTER DECK WELDMENT
2	1	NHCR-050	DECK BOTTOM KNIFE STRIPPER
3	15	NHCR-085	5/16-18 X 3/4 CARRIAGE BOLT
4	23	NHCR-018	5/16-18 SERRATED HEX FLANGE NUT
5	1	NHCR-051	INSIDE DECK PLATE 2013 MODEL
6	1	NHCR-078	INFEED PLATE 2013 MODEL
7	2	NHCR-730	DOOR SPACER AND STOP
8	2	NHCR-037	DOOR MOUNTING STRAP
9	1	NHCR-227	TOP DOOR WELDMENT
10	1	NHCR-228	BOTTOM DOOR WELDMENT
11	1	NHCR-731	BOTTOM DOOR ROD
12	1	NHCR-054	TUNNEL STRIPPER PLATE
13	2	NHCR-024	3/8-16 X 1 1/2 CARRIAGE BOLT
14	4	NHCR-754	5/16-18 X 1 1/4 CARRIAGE BOLT
15	2	NHCR-025	3/8-16 SERRATED FLANGE NUT
16	1	NHCR-741	LEFT SIDE DECK SUPPORT
17	1	NHCR-164	DOOR HOLDING PIN WELDMENT
18	1	NHCR-889	SMALL HAIRPIN
19	2	NHCR-886	M12 x 1.75 HEX BOLT
20	2	NHCR-885	1/2 - wide - Type B FLAT WASHER
21			

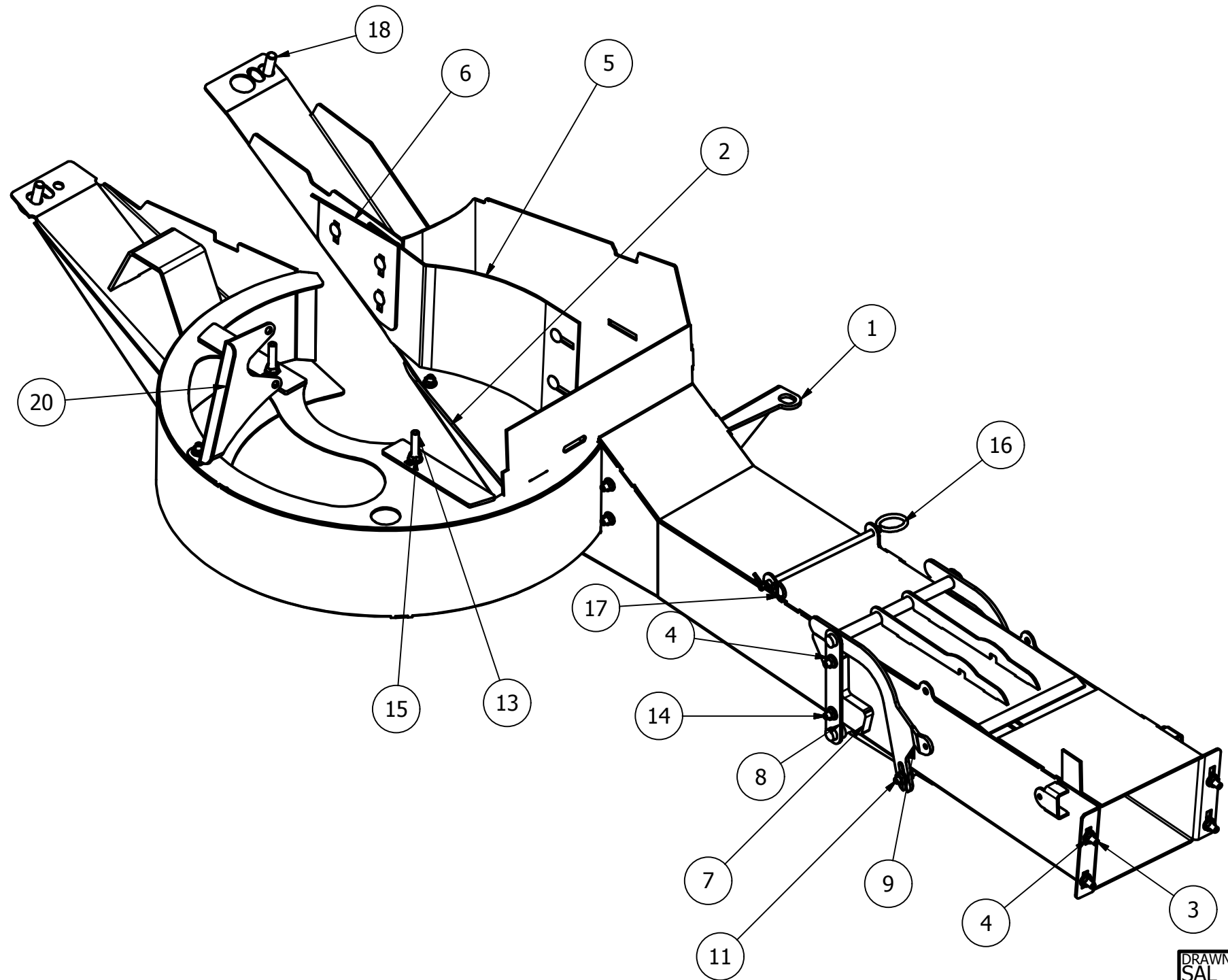
DRAWN SAL	1/25/2013	Craig Welding & Mfg., Inc.	
CHECKED			
QA		TITLE	
MFG		OUTER DECKS ASSEMBLY	
APPROVED		SIZE	MACH. SHOP #
TOLERANCE ON FINISHED SURFACES: ONE PLACE DECIMAL +/- .1" TWO PLACE DECIMAL +/- .01" THREE PLACE DECIMAL +/- .005" UNLESS OTHERWISE SHOWN		B	PART NUMBER NHCR-753
MATERIAL			

HOLES REMOVED
IN PART



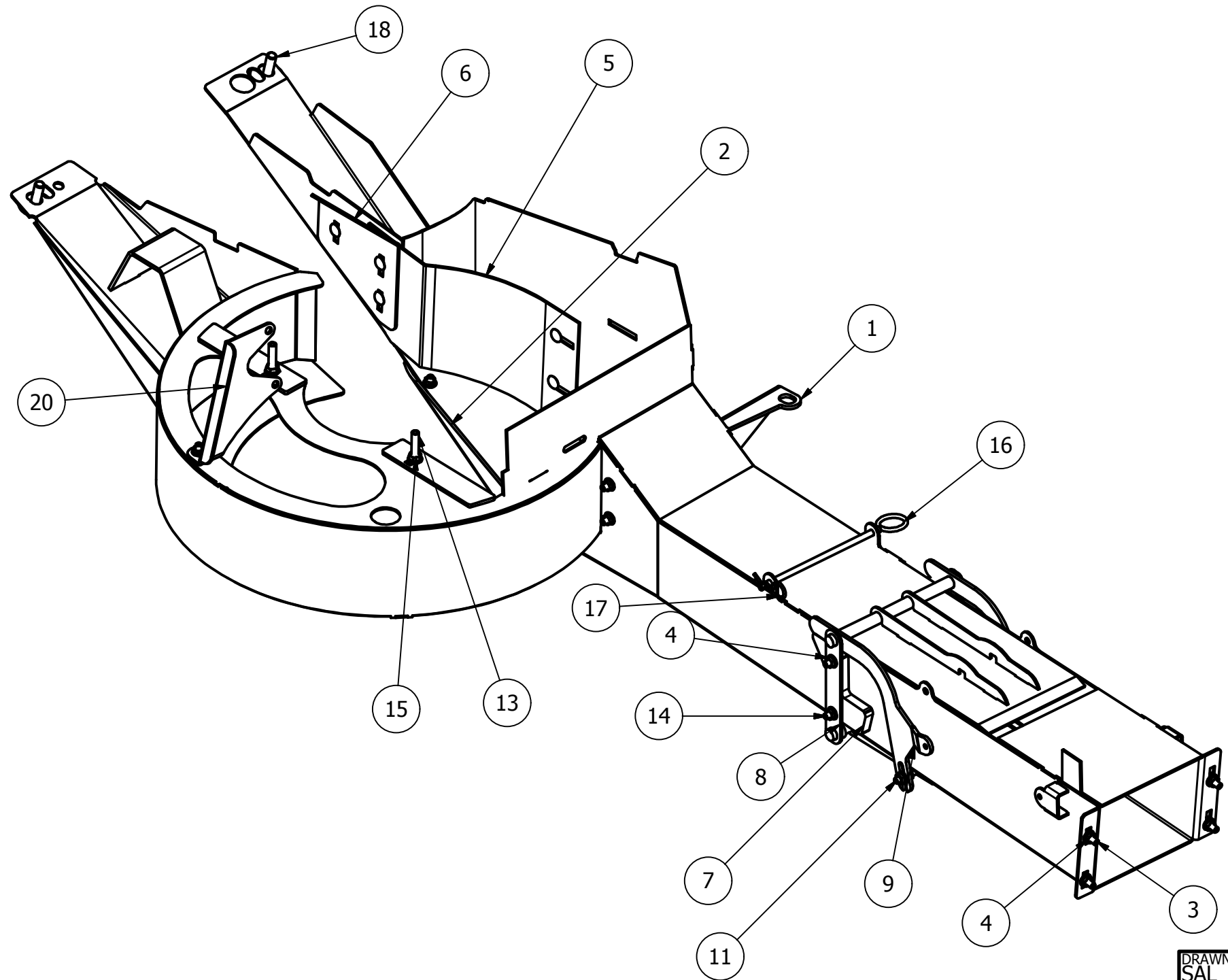
PARTS LIST			
ITEM	QTY	PART NUMBER	DESCRIPTION
1	1	NHCR-742	CENTER DECK WELDMENT
2	1	NHCR-050	DECK BOTTOM KNIFE STRIPPER
3	1	NHCR-054	TUNNEL STRIPPER PLATE
4	1	NHCR-051	INSIDE DECK PLATE 2013 MODEL
5	1	NHCR-078	INFEED PLATE 2013 MODEL
6	15	NHCR-085	5/16-18 X 3/4 CARRIAGE BOLT
7	1	NHCR-216	CENTER DECK DEFLECTOR WELDMENT
8	15	NHCR-018	5/16-18 SERRATED HEX FLANGE NUT
9	3	NHCR-024	3/8-16 X 1 1/2 CARRIAGE BOLT
10	2	NHCR-025	3/8-16 SERRATED FLANGE NUT
11	2	NHCR-086	M12 x 1.75 x 25 HEX SERRATED FLANGE BOLT
12	1	NHCR-063	CENTER DECK HOSE HOLDER
13	1	NHCR-741	LEFT SIDE DECK SUPPORT
14	1	NHCR-771	3/8 - 16 NUT
15	2	NHCR-770	HOSE CLAMP (NEW HOLLAND # 207705)
16	1	NHCR-235	3/8 LOCK WASHER
17	1	NHCR-773	3/8- Wing Nut

DRAWN SAL	1/28/2013	Craig Welding & Mfg., Inc.		
CHECKED				
QA				
MFG				
APPROVED		TITLE CENTER DECK ASSEMBLY		
TOLERANCE ON FINISHED SURFACES: ONE PLACE DECIMAL +/- .1" TWO PLACE DECIMAL +/- .01" THREE PLACE DECIMAL +/- .005" UNLESS OTHERWISE SHOWN		SIZE B	MACH. SHOP #	PART NUMBER NHCR-757
MATERIAL				SHEET 2 OF 2



PARTS LIST			
ITEM	QTY	PART NUMBER	DESCRIPTION
1	1	NHCR-786	OFFSET DECK WELDMENT
2	1	NHCR-050	DECK BOTTOM KNIFE STRIPPER
3	15	NHCR-085	5/16-18 X 3/4 CARRIAGE BOLT
4	23	NHCR-018	5/16-18 SERRATED HEX FLANGE NUT
5	1	NHCR-051	INSIDE DECK PLATE 2013 MODEL
6	1	NHCR-078	INFEED PLATE 2013 MODEL
7	2	NHCR-730	DOOR SPACER AND STOP
8	2	NHCR-037	DOOR MOUNTING STRAP
9	1	NHCR-227	TOP DOOR WELDMENT
10	1	NHCR-228	BOTTOM DOOR WELDMENT
11	1	NHCR-731	BOTTOM DOOR ROD
12	1	NHCR-054	TUNNEL STRIPPER PLATE
13	2	NHCR-024	3/8-16 X 1 1/2 CARRIAGE BOLT
14	4	NHCR-754	5/16-18 X 1 1/4 CARRIAGE BOLT
15	2	NHCR-025	3/8-16 SERRATED FLANGE NUT
16	1	NHCR-164	DOOR HOLDING PIN WELDMENT
17	1	NHCR-889	SMALL HAIRPIN
18	2	NHCR-886	M12 x 1.75 HEX BOLT
19	2	NHCR-885	1/2 - wide - Type B FLAT WASHER
20	1	NHCR-741	LEFT SIDE DECK SUPPORT

DRAWN SAL	9/9/2013	<h2>Craig Welding & Mfg., Inc.</h2> <p>TITLE</p> <p>OFFSET OUTER DECK ASSEMBLY</p>		
CHECKED				
QA				
MFG				
APPROVED		SIZE	MACH. SHOP #	PART NUMBER
<small>TOLERANCE ON FINISHED SURFACES: ONE PLACE DECIMAL +/- .1" TWO PLACE DECIMAL +/- .01" THREE PLACE DECIMAL +/- .005" UNLESS OTHERWISE SHOWN</small>		B		NHCR-791
MATERIAL				

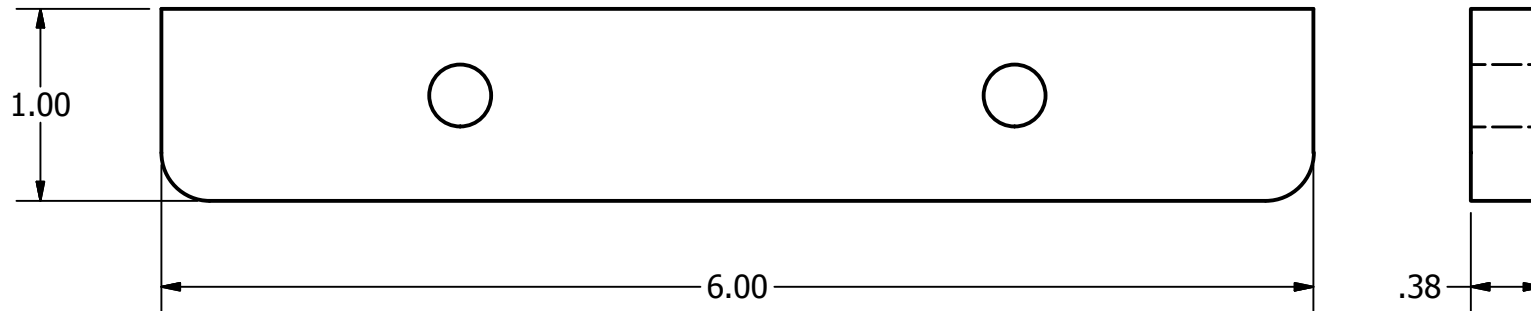
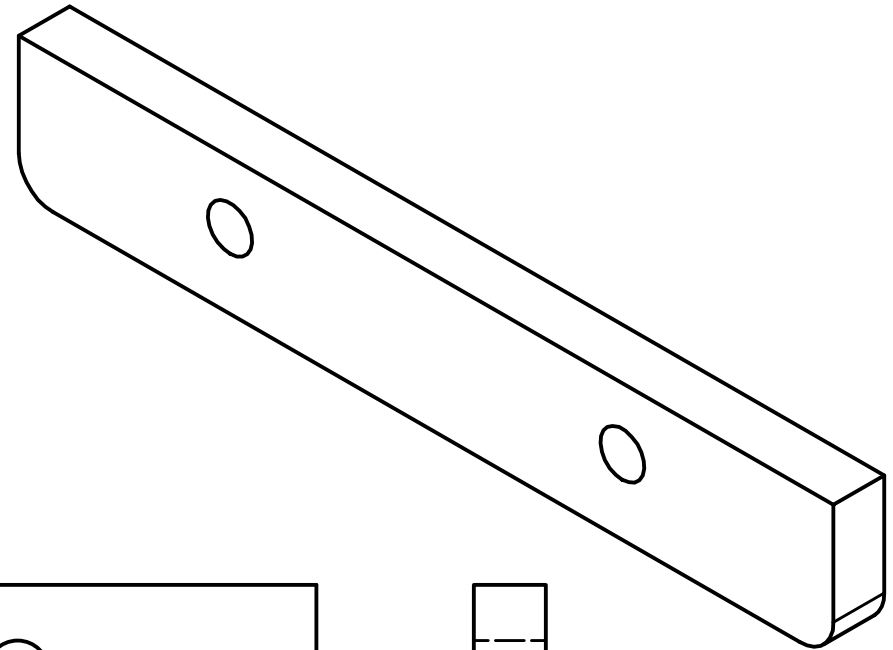


PARTS LIST			
ITEM	QTY	PART NUMBER	DESCRIPTION
1	1	NHCR-786	OFFSET DECK WELDMENT
2	1	NHCR-050	DECK BOTTOM KNIFE STRIPPER
3	15	NHCR-085	5/16-18 X 3/4 CARRIAGE BOLT
4	23	NHCR-018	5/16-18 SERRATED HEX FLANGE NUT
5	1	NHCR-051	INSIDE DECK PLATE 2013 MODEL
6	1	NHCR-078	INFEED PLATE 2013 MODEL
7	2	NHCR-730	DOOR SPACER AND STOP
8	2	NHCR-037	DOOR MOUNTING STRAP
9	1	NHCR-227	TOP DOOR WELDMENT
10	1	NHCR-228	BOTTOM DOOR WELDMENT
11	1	NHCR-731	BOTTOM DOOR ROD
12	1	NHCR-054	TUNNEL STRIPPER PLATE
13	2	NHCR-024	3/8-16 X 1 1/2 CARRIAGE BOLT
14	4	NHCR-754	5/16-18 X 1 1/4 CARRIAGE BOLT
15	2	NHCR-025	3/8-16 SERRATED FLANGE NUT
16	1	NHCR-164	DOOR HOLDING PIN WELDMENT
17	1	NHCR-889	SMALL HAIRPIN
18	2	NHCR-886	M12 x 1.75 HEX BOLT
19	2	NHCR-885	1/2 - wide - Type B FLAT WASHER
20	1	NHCR-741	LEFT SIDE DECK SUPPORT

DRAWN SAL	9/9/2013	Craig Welding & Mfg., Inc. TITLE OFFSET OUTER DECK ASSEMBLY		
CHECKED				
QA				
MFG				
APPROVED		SIZE	MACH. SHOP #	PART NUMBER
<small>TOLERANCE ON FINISHED SURFACES: ONE PLACE DECIMAL +/- .1" TWO PLACE DECIMAL +/- .01" THREE PLACE DECIMAL +/- .005" UNLESS OTHERWISE SHOWN</small>		B		NHCR-791
MATERIAL				

PARTS LIST

ITEM	QTY	PART NUMBER	DESCRIPTION	MATERIAL
1	1	NHCR-792	DEFLECTOR SPACER FOR OFFSET ROW	3/8" HRSH



DRAWN	9/9/2013
SAL	
CHECKED	
QA	
MFG	
APPROVED	

Craig Welding & Mfg., Inc.

TITLE
DEFLECTOR SPACER FOR OFFSET ROW

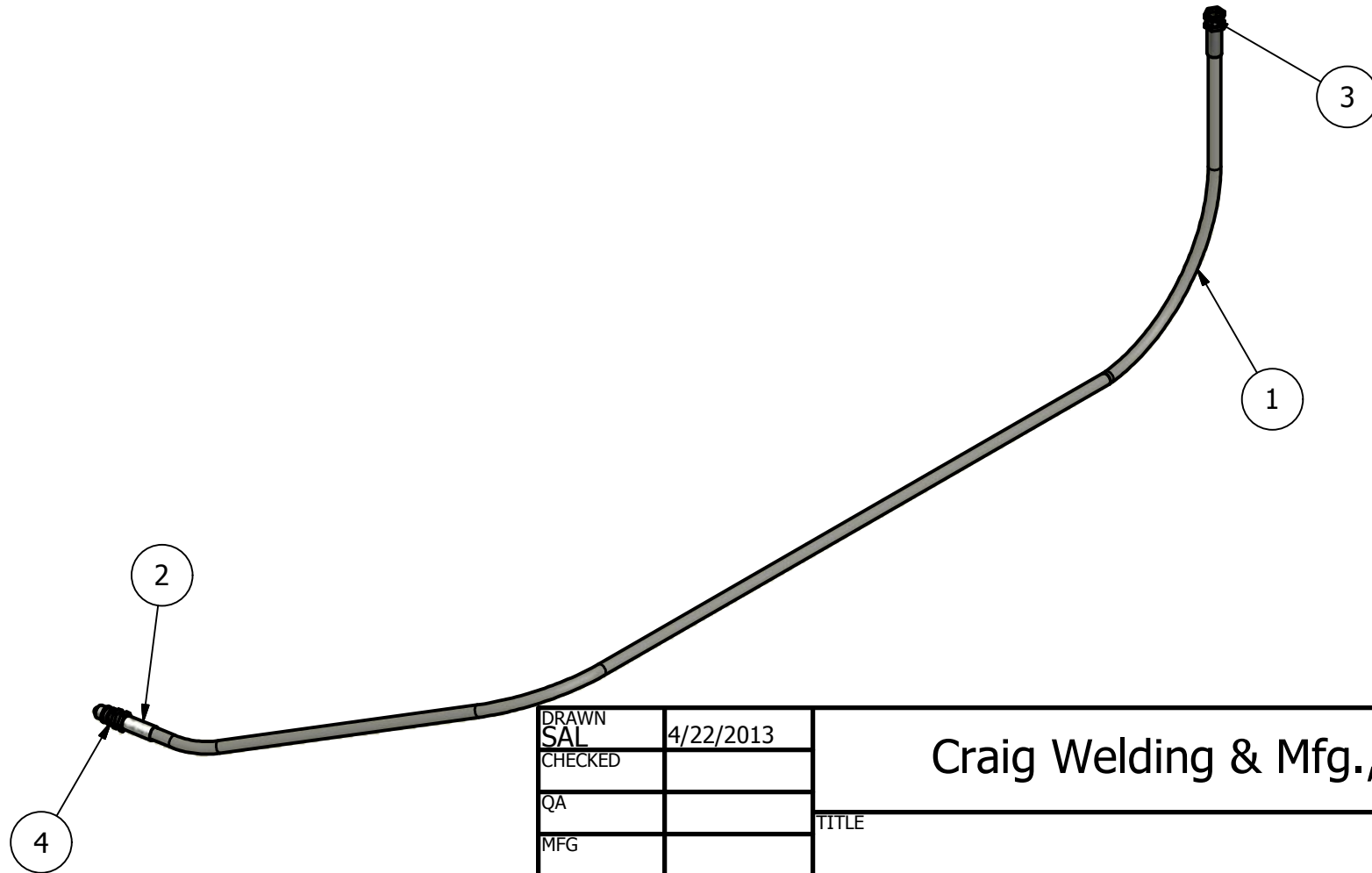
TOLERANCE ON FINISHED SURFACES:
ONE PLACE DECIMAL +/- .1"
TWO PLACE DECIMAL +/- .01"
THREE PLACE DECIMAL +/- .005"
UNLESS OTHERWISE SHOWN

SIZE	MACH. SHOP #	PART NUMBER
A		NHCR-792

MATERIAL	Generic	SHEET 1 OF 1
----------	---------	--------------

PARTS LIST

ITEM	QTY	PART NUMBER	DESCRIPTION
1	1	NHCR-877	135" RETURN HOSE ASSEMBLY 1/2" #B94996
2	1	NHCR-880	1/2" MALE PIPE CRIMP FITTING FOR 1/2" HOSE #997917R1
3	1	NHCR-875	#10 ORING FACE SEAL SWIVEL FEMALE CRIMP FITTING #ZJM44
4	1	NHCR-899	PIONEER MALE TIP FEMALE 1/2" PIPE #80104



DRAWN	SAL	4/22/2013
CHECKED		
QA		
MFG		
APPROVED		

Craig Welding & Mfg., Inc.

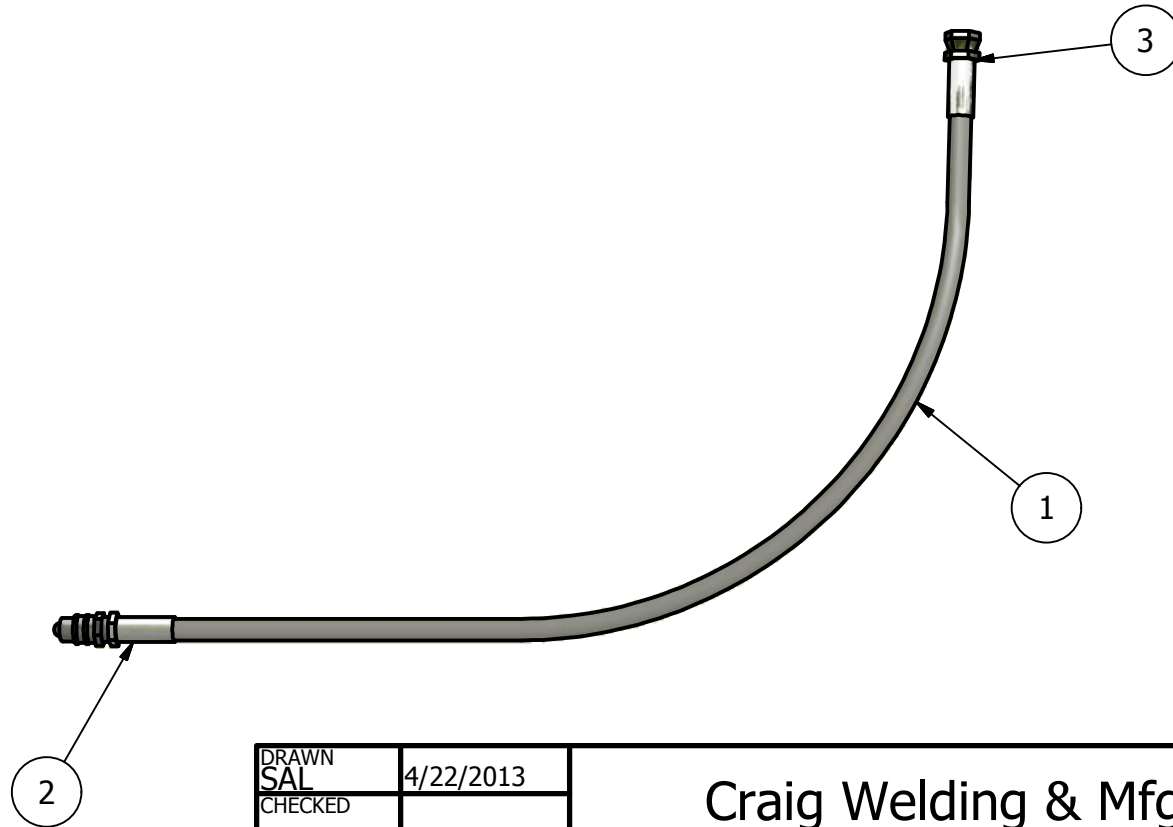
TITLE
135" RETURN HOSE ASSEMBLY

TOLERANCE ON FINISHED SURFACES:
ONE PLACE DECIMAL +/- .1"
TWO PLACE DECIMAL +/- .01"
THREE PLACE DECIMAL +/- .005"
UNLESS OTHERWISE SHOWN

SIZE	MACH. SHOP #	PART NUMBER
A		NHCR-882

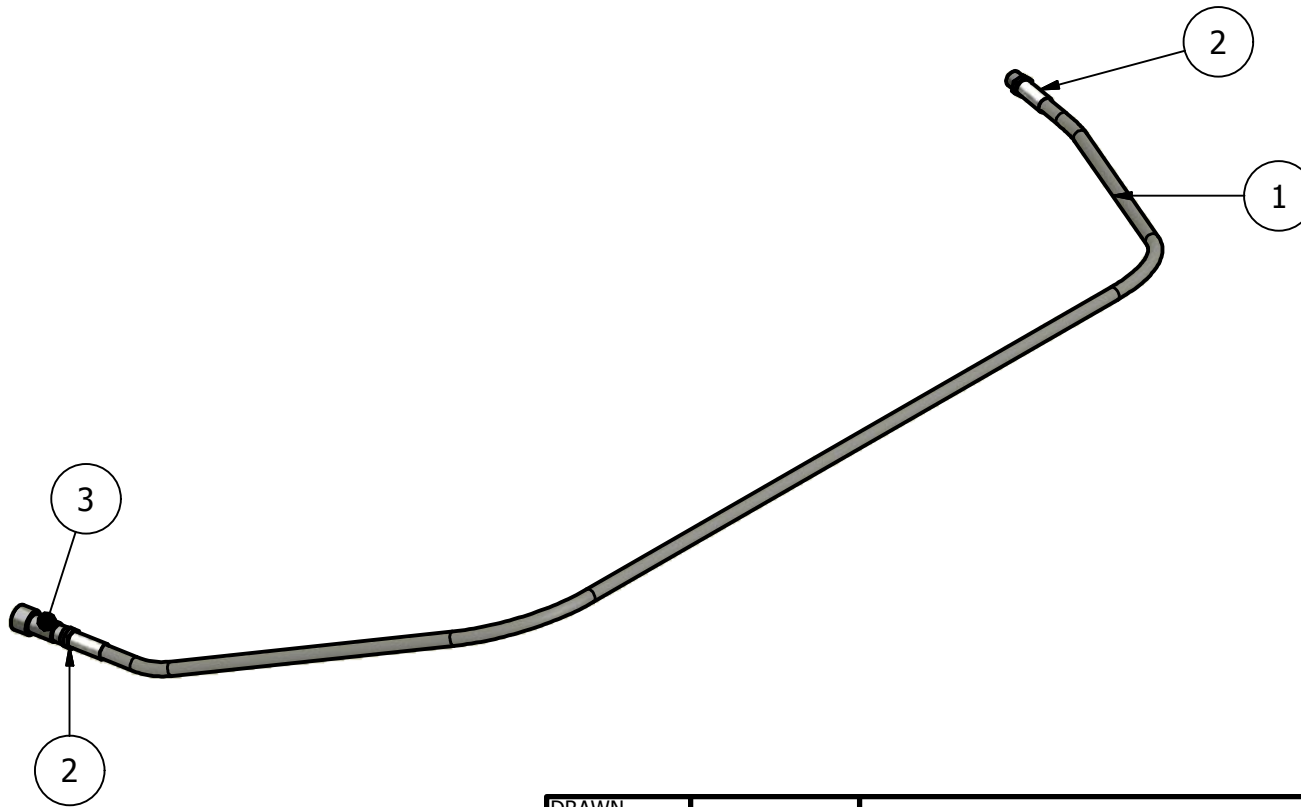
MATERIAL

PARTS LIST			
ITEM	QTY	PART NUMBER	DESCRIPTION
1	1	NHCR-876	1/2" X 57" HOSE #B94996
2	1	NHCR-880	1/2" MALE PIPE CRIMP FITTING FOR 1/2" HOSE #997917R1
3	1	NHCR-875	#10 ORING FACE SEAL SWIVEL FEMALE CRIMP FITTING #ZJM44
4	1	NHCR-899	PIONEER MALE TIP FEMALE 1/2" PIPE #80104

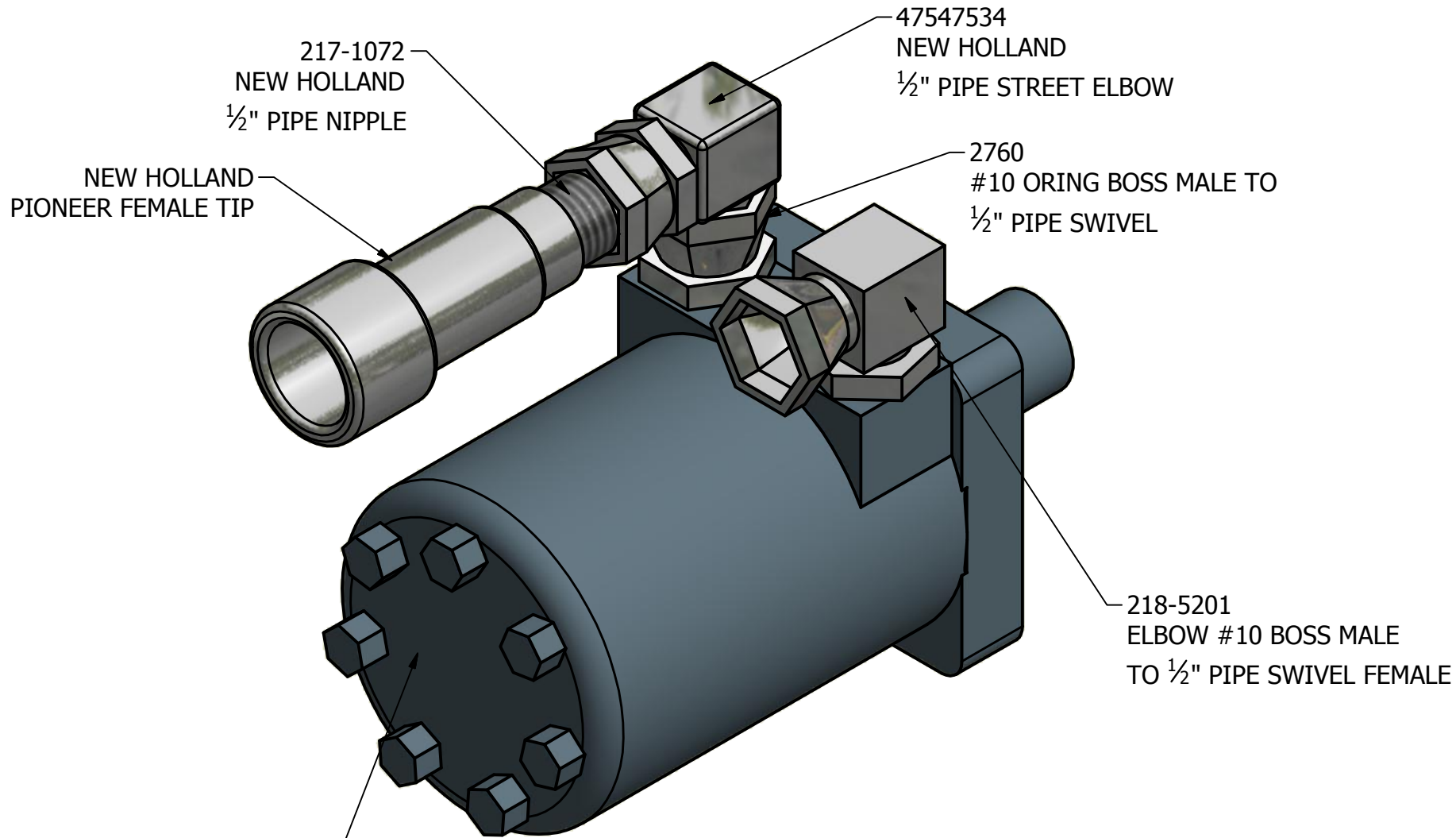


DRAWN SAL	4/22/2013	<h2>Craig Welding & Mfg., Inc.</h2>	
CHECKED			
QA			
MFG			
APPROVED			
<small>TOLERANCE ON FINISHED SURFACES: ONE PLACE DECIMAL +/- .1" TWO PLACE DECIMAL +/- .01" THREE PLACE DECIMAL +/- .005" UNLESS OTHERWISE SHOWN</small>		TITLE	57" PRIMARY HOSE
MATERIAL	SIZE A	MACH. SHOP #	PART NUMBER NHCR-883

PARTS LIST			
ITEM	QTY	PART NUMBER	DESCRIPTION
1	1	NHCR-878	105" CROSSOVER HOSE #B94996
2	2	NHCR-880	1/2" MALE PIPE CRIMP FITTING FOR 1/2" HOSE #997917R1
3	1	NHCR-898	PIONEER FEMALE TIP #40504



DRAWN SAL	4/22/2013	<h2 style="text-align: center;">Craig Welding & Mfg., Inc.</h2>		
CHECKED				
QA				
MFG				
APPROVED		TITLE 105" CROSSOVER HOSE ASSEMBLY		
<small>TOLERANCE ON FINISHED SURFACES: ONE PLACE DECIMAL +/- .1" TWO PLACE DECIMAL +/- .01" THREE PLACE DECIMAL +/- .005" UNLESS OTHERWISE SHOWN</small>		SIZE A	MACH. SHOP #	PART NUMBER NHCR-884
MATERIAL			SHEET 1 OF 1	



DRAWN	SAL	4/16/2013
CHECKED		
QA		
MFG		
APPROVED		

Craig Welding & Mfg., Inc.

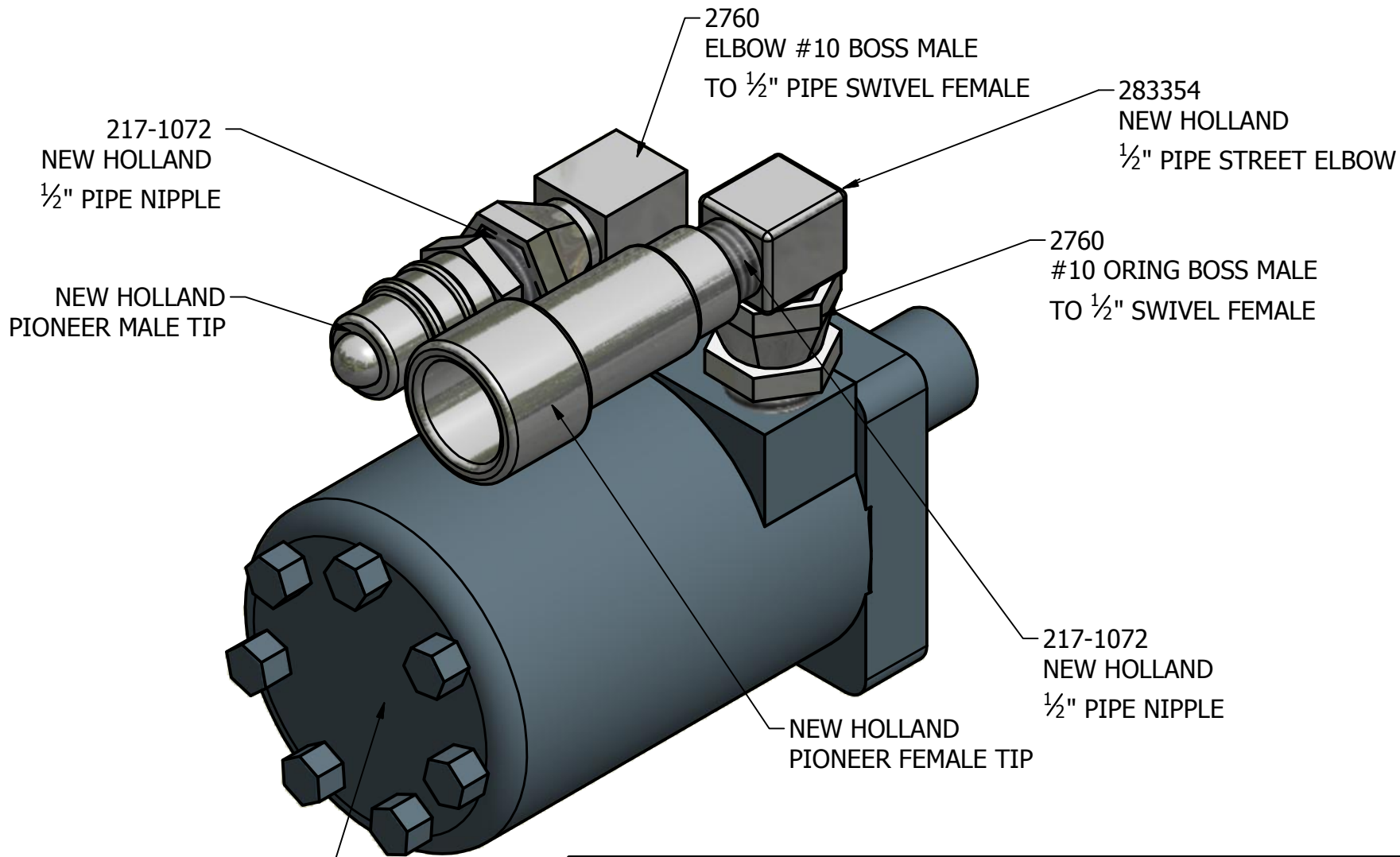
TITLE
LEFT DRIVE MOTOR

TOLERANCE ON FINISHED SURFACES:
ONE PLACE DECIMAL +/- .1"
TWO PLACE DECIMAL +/- .01"
THREE PLACE DECIMAL +/- .005"
UNLESS OTHERWISE SHOWN

SIZE	MACH. SHOP #	PART NUMBER
A		NHCR-897

MATERIAL	SHEET 1 OF 1
----------	--------------

REVISION HISTORY		
REV	DESCRIPTION	DATE
1	ADDED NEW HOLLAND #	5/2/2013



DRAWN	SAL	4/22/2013
CHECKED		
QA		
MFG		
APPROVED		

Craig Welding & Mfg., Inc.

TITLE
RIGHT DRIVE MOTOR

TOLERANCE ON FINISHED SURFACES:
ONE PLACE DECIMAL +/- .1"
TWO PLACE DECIMAL +/- .01"
THREE PLACE DECIMAL +/- .005"
UNLESS OTHERWISE SHOWN

SIZE	MACH. SHOP #	PART NUMBER
A		NHCR-902

REVISION HISTORY		
REV	DESCRIPTION	DATE
1	ADDED NEW HOLLAND #	5/2/2013

MATERIAL

SHEET 1 OF 1